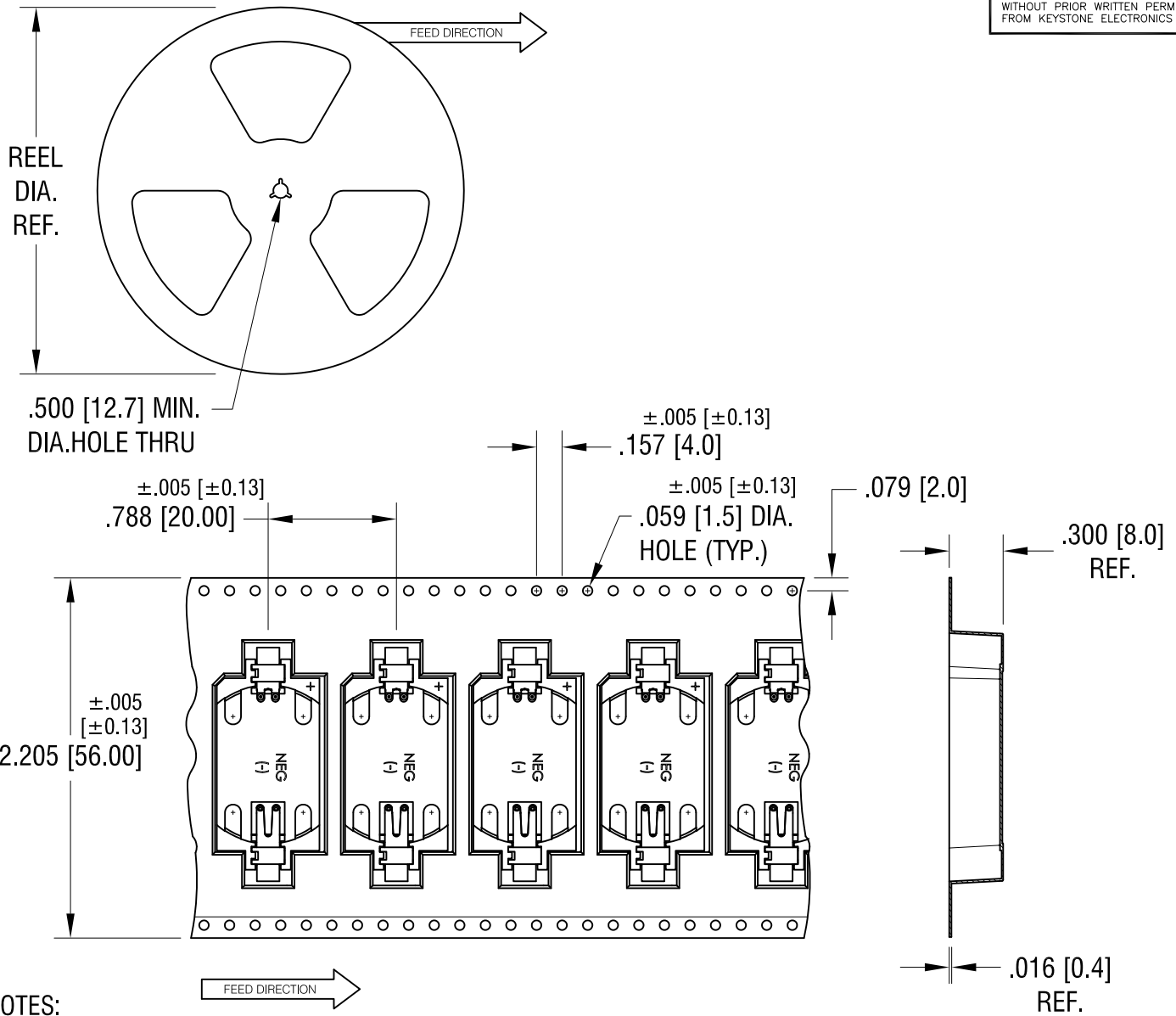


THIS DOCUMENT IS THE PROPERTY OF KEYSTONE ELECTRONICS CORP. AND SHALL NOT BE REPRODUCED, DISTRIBUTED OR USED AS A BASIS FOR MANUFACTURE WITHOUT PRIOR WRITTEN PERMISSION FROM KEYSTONE ELECTRONICS CORP.



NOTES:

TAPE AND REEL SPECIFICATIONS:

1. TAPE:
MAT'L - ALL CONDUCTIVE POLYSTYRENE CARRIER
ANSI/EIA-481 STANDARD
2. REEL:
13.0 [330.2] DIA. 400 PIECES OF
PART NO. 1052 PER REEL.

DATE	DESCRIPTION	REV.
2.09.15	UPDATE POCKET CONFIGURATION CHANGE AS PER ECN 15-019	C
5.12.14	TAPE WAS HOLDING 300 PCS ECN 14-051, PITCH WAS 24mm	B
4.02.13	TAPE WAS HOLDING 250 PCS CHANGE AS PER ECN 13-034	A

KEYSTONE ELECTRONICS CORP.			
www.keyelco.com • ASTORIA, N.Y. 11105-2017 • Tel (718) 956-8900			
PART NAME 2450 SMT BATTERY HOLDER ON TAPE AND REEL			
MATERIAL AS NOTED			
FINISH AS NOTED		DRN BY NT	DATE 3.11.11
		APP'D LN	SCALE 1X
TOLERANCES INCH [MM]	CODE	DWG NO.	
DECIMAL ± .015 [± 0.38]	C	1052TR	
ANGULAR ± 1° UNLESS OTHERWISE SPECIFIED			