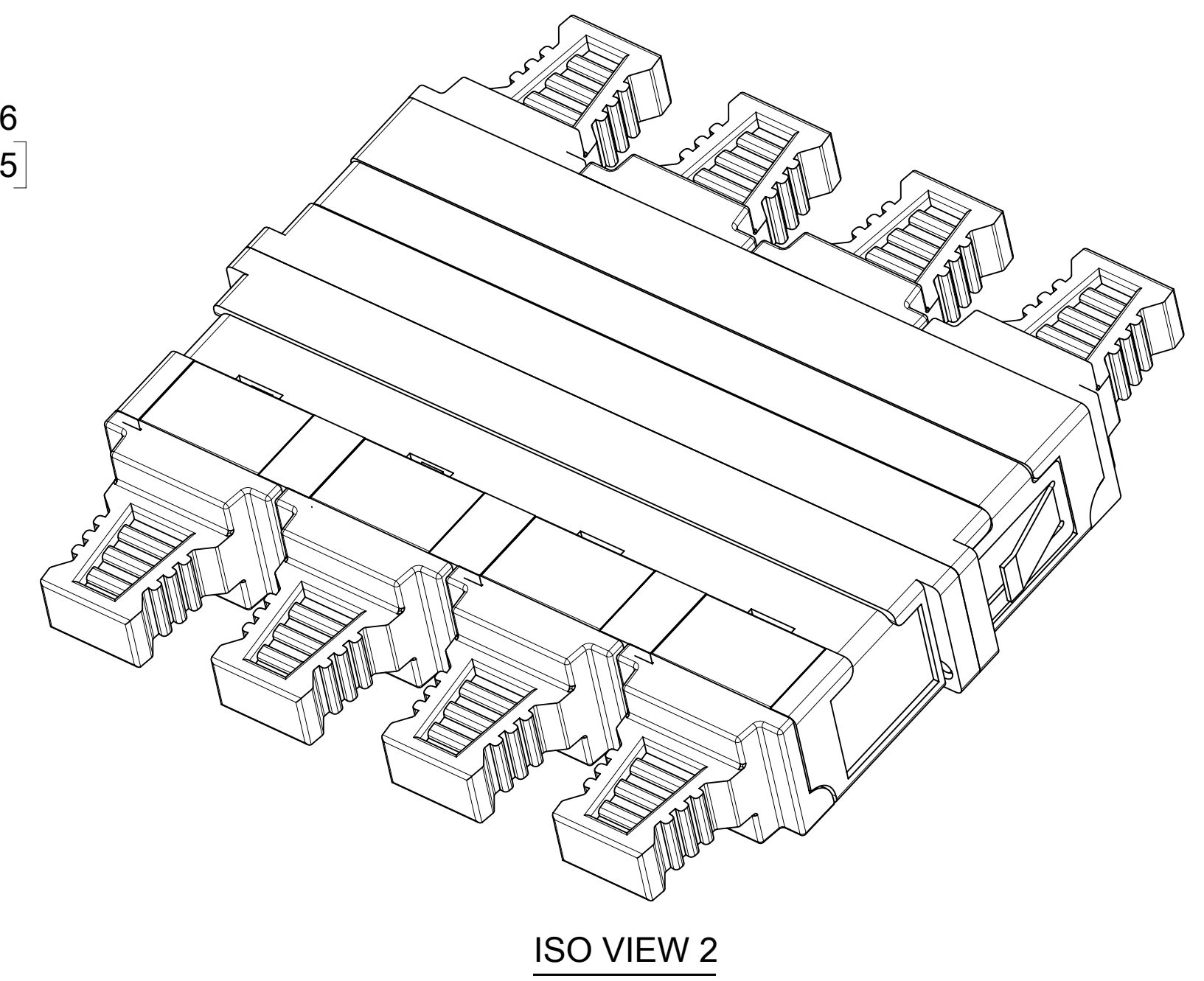
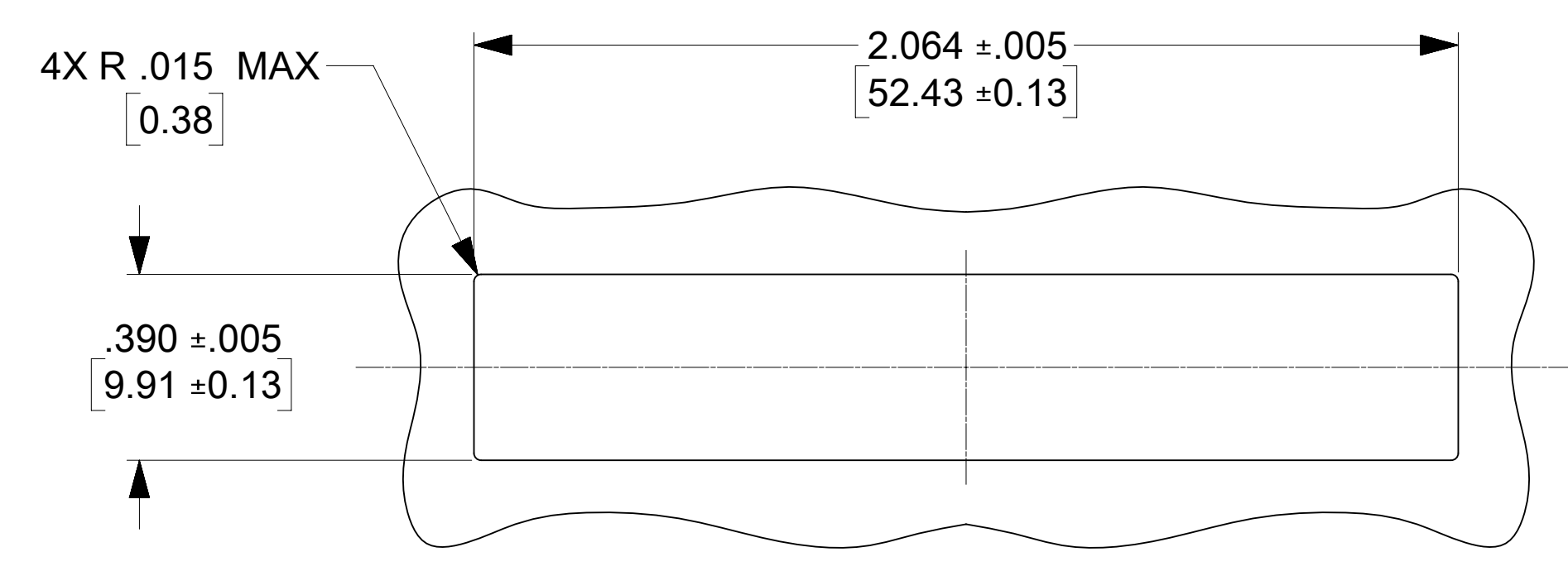
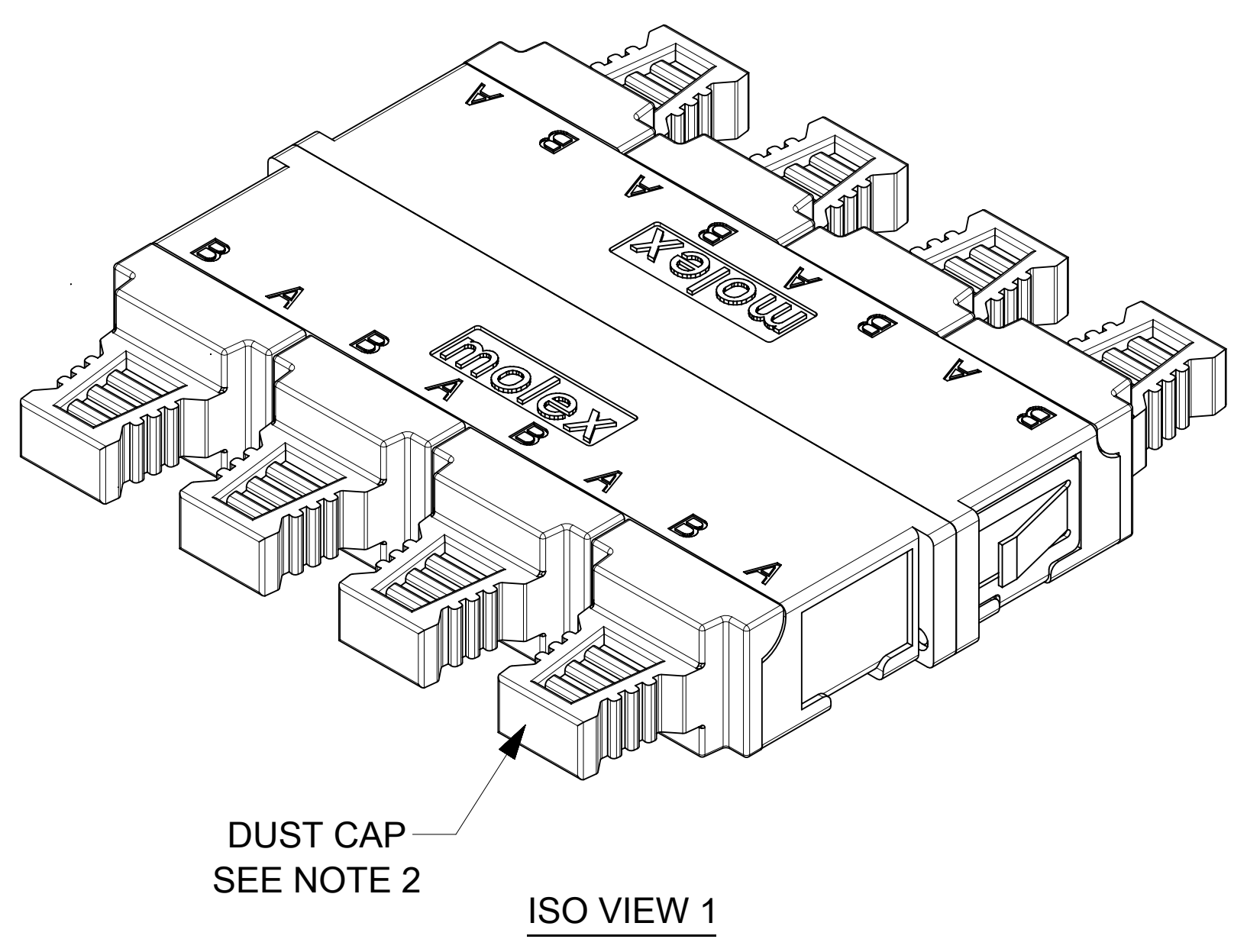
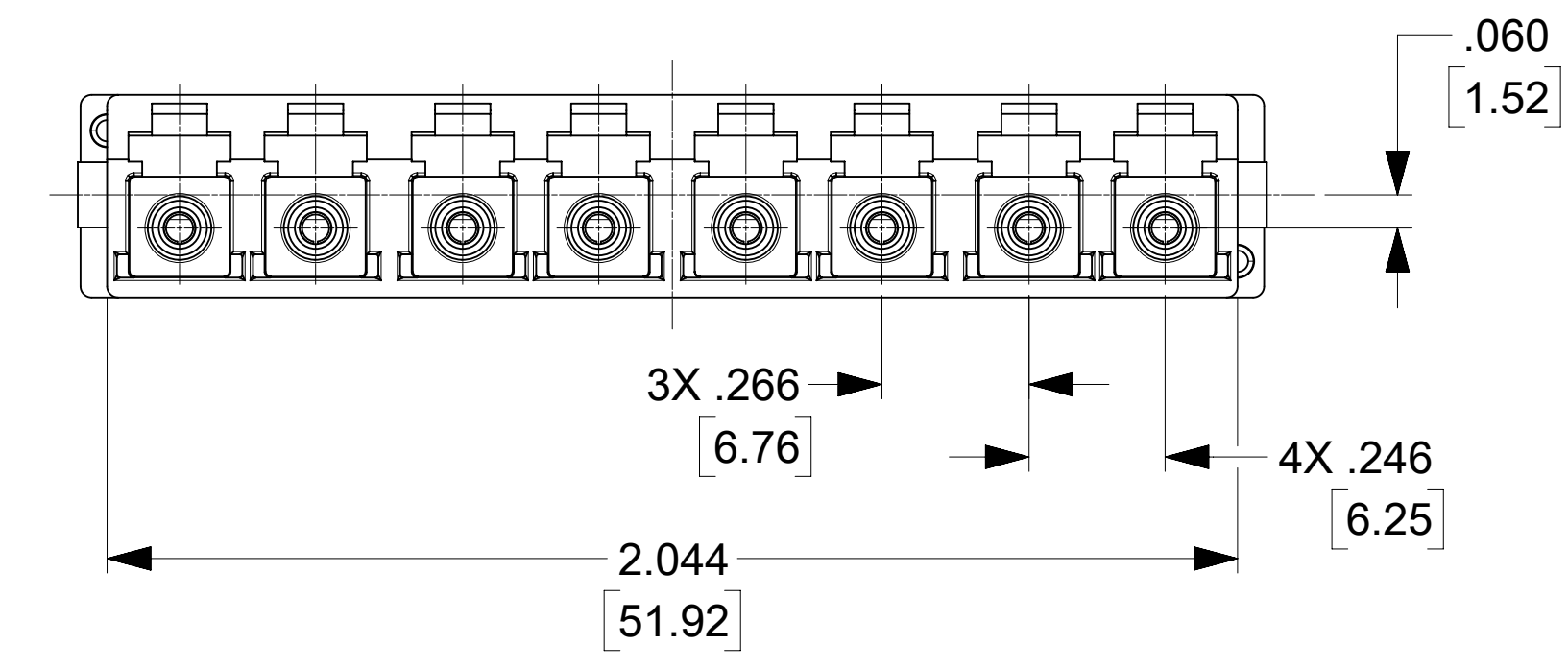
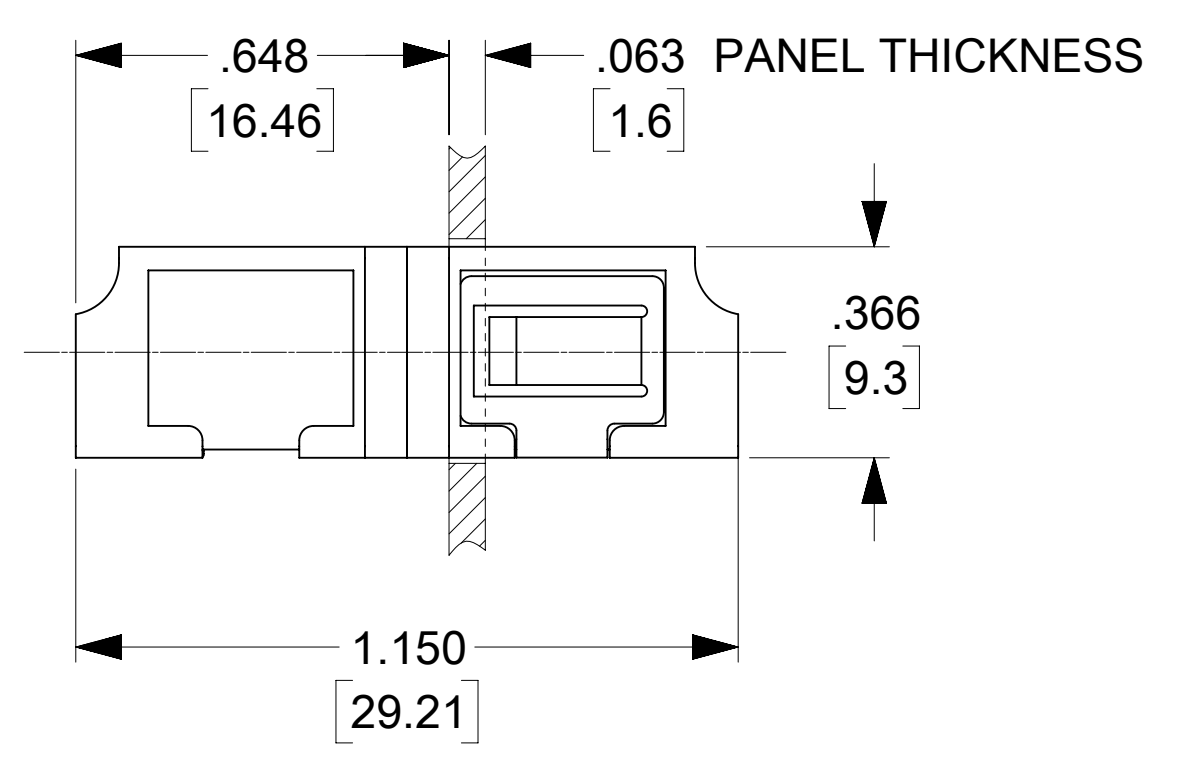
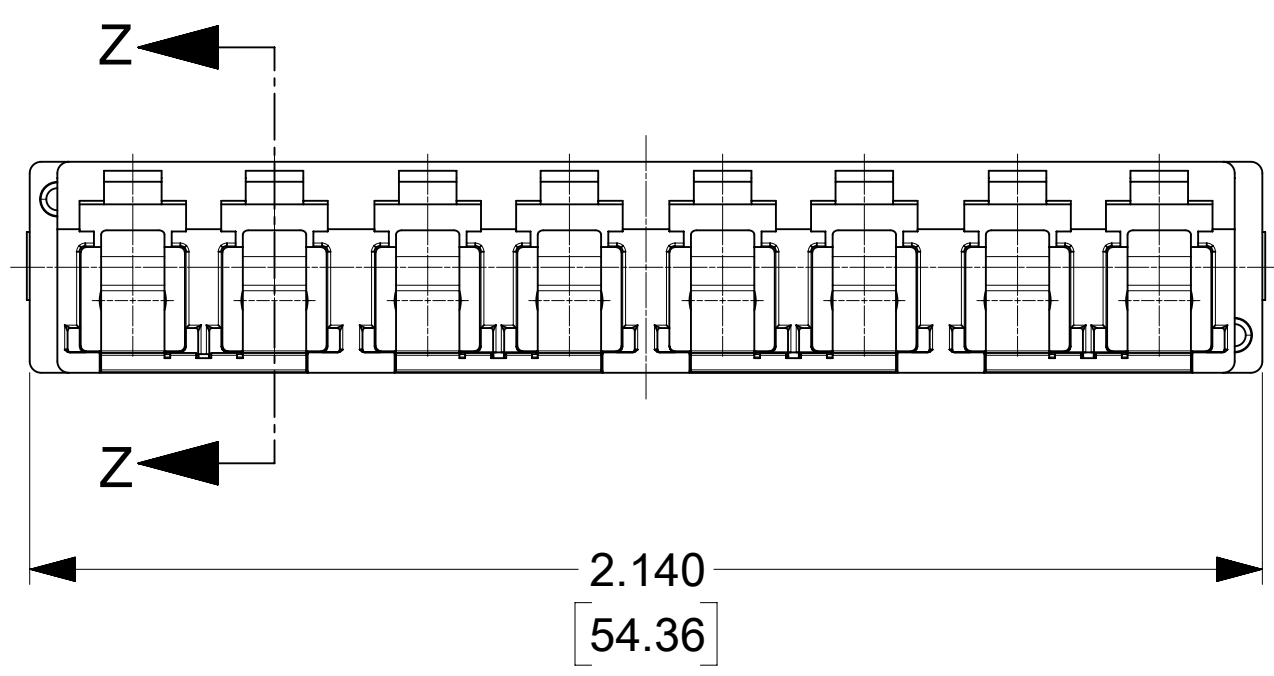
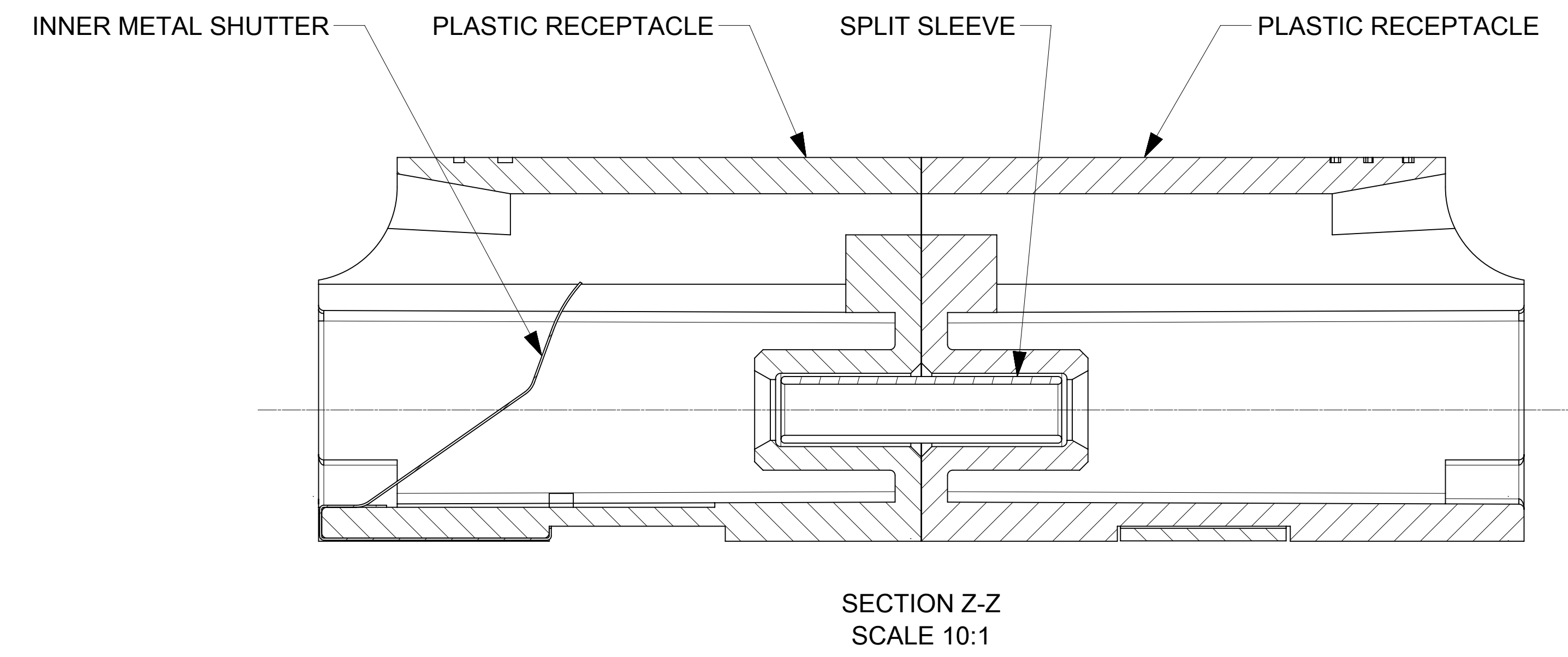
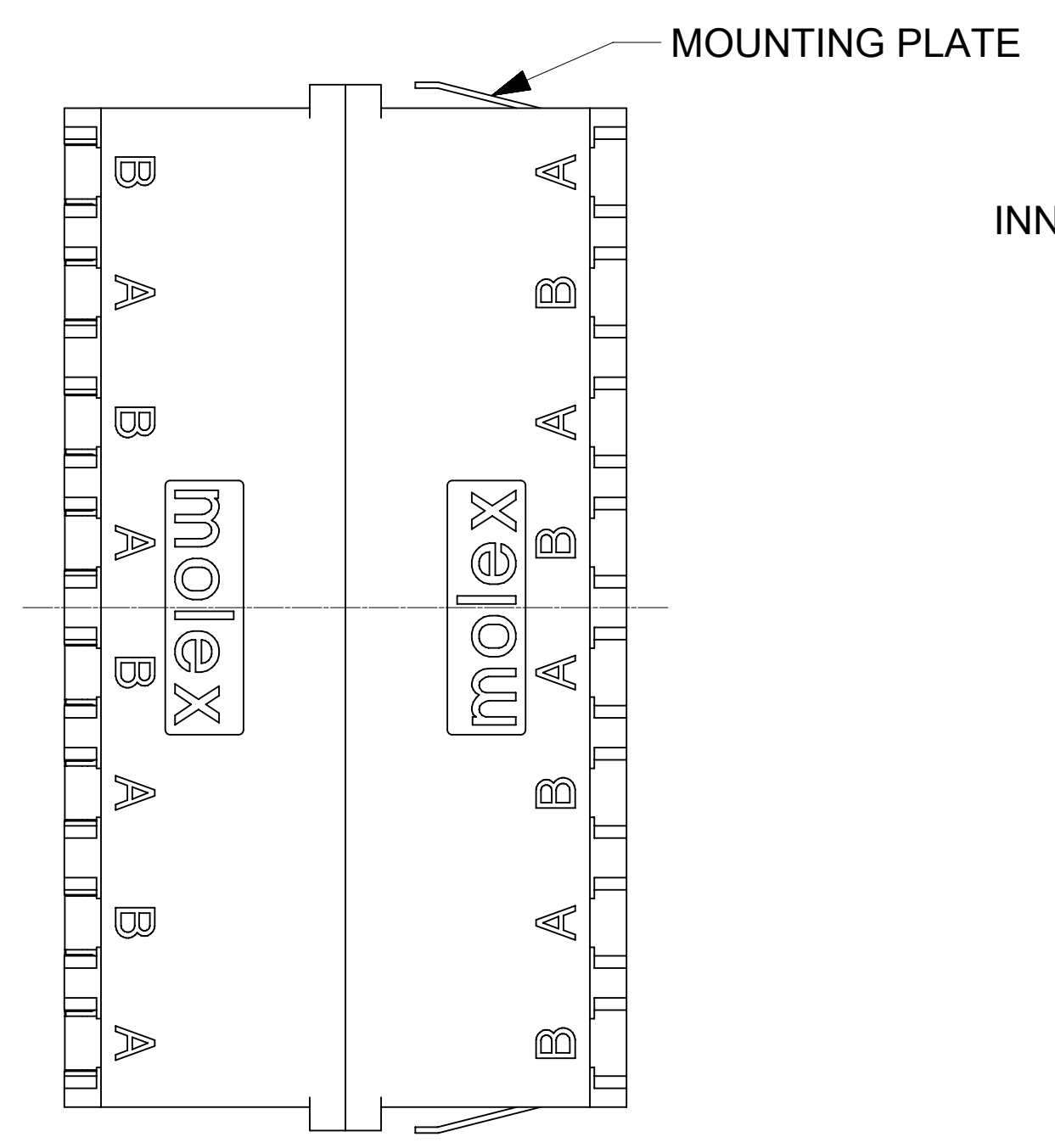


| | | |
|--------------------------|------------------|-----------------------|
| LC 8 PORT ADAPTER P/N | ADAPTER COLOR | SPLIT SLEEVE MATERIAL |
| 106121-0460 | GREEN | CERAMIC |
| 106121-0470 | BEIGE | |
| 106121-0480 | AQUA | |



NOTES:
 1. ALL DIMENSIONS ARE FOR REFERENCE.
 2. DUST CAPS SHOWN IN ISO VIEWS ONLY.

| | | | | | | | | | |
|---|--|-----------------------------------|--|------------------------|--|-------------------------------------|--|-----------------------------------|--|
| THIS DRAWING CONTAINS INFORMATION THAT IS PROPRIETARY TO MOLEX ELECTRONIC TECHNOLOGIES, LLC AND SHOULD NOT BE USED WITHOUT WRITTEN PERMISSION | | | | | | | | | |
| DIMENSION UNITS IN/MM | | SCALE 3:1 | | CURRENT REV DESC: | | | | | |
| GENERAL TOLERANCES (UNLESS SPECIFIED) | | | | EC NO: 652962 | | DRWN: SKRISHNAMU01 | | 2021/05/28 | |
| 4 PLACES ± | | ± | | CHK'D: WCHEN | | 2021/08/24 | | 2021/08/24 | |
| 3 PLACES ± | | ± | | APPR: WCHEN | | 2021/08/24 | | 2021/08/24 | |
| 2 PLACES ± | | ± | | INITIAL REVISION: | | DRWN: YBELENIY | | 2012/01/04 | |
| 1 PLACE ± | | ± | | DRWN: YBELENIY | | 2012/02/06 | | 2012/02/06 | |
| 0 PLACES ± | | ± | | ANGULAR TOL ± ° | | APPR: WCHEN | | 2012/02/06 | |
| DRAFT WHERE APPLICABLE MUST REMAIN WITHIN DIMENSIONS | | | | THIRD ANGLE PROJECTION | | DRAWING D-SIZE | | SERIES 106121 | |
| DOCUMENT STATUS P1 | | RELEASE DATE 2021/08/24 | | 01:00:41 | | MATERIAL NUMBER SEE TABLE | | CUSTOMER GENERAL MARKET | |
| DOCUMENT NUMBER SD-106121-0450 | | | | DOC TYPE PSD | | DOC PART 001 | | REVISION D | |
| SHEET NUMBER 1 OF 1 | | | | | | | | | |