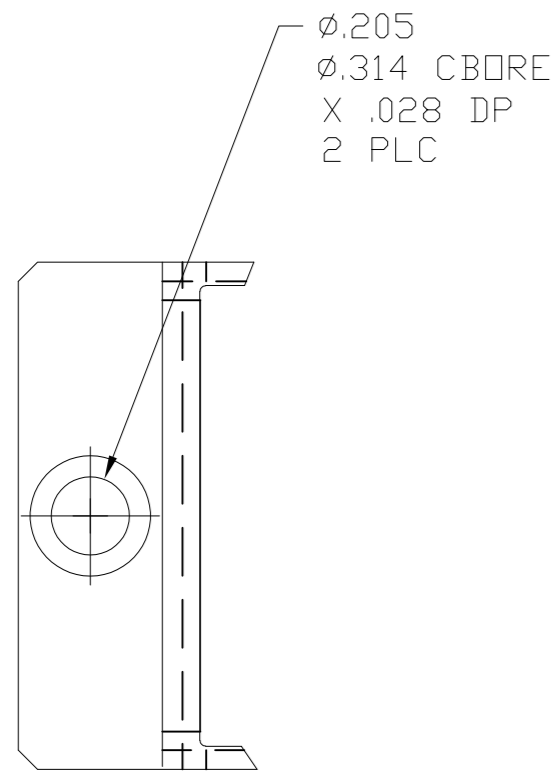
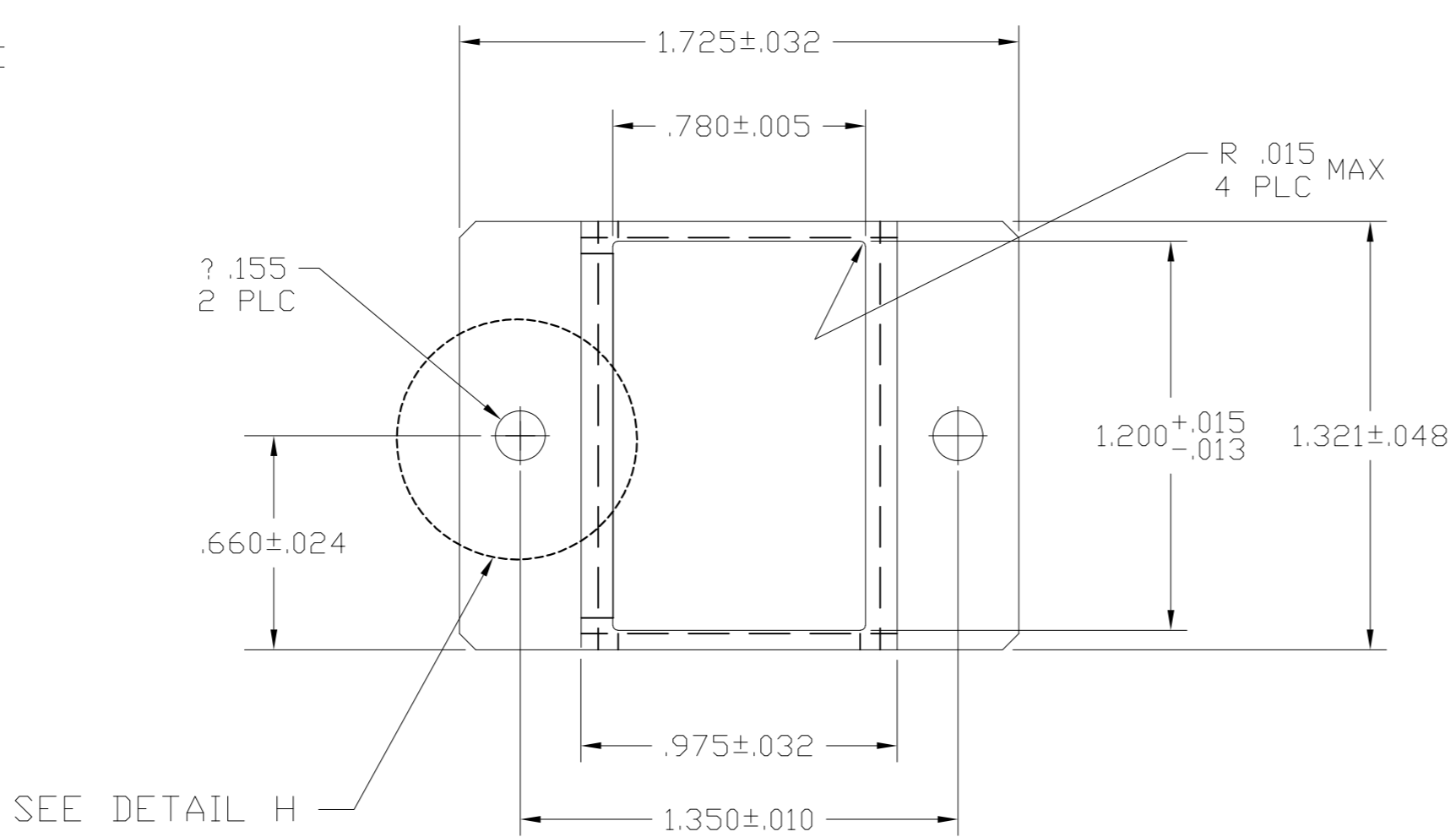


THIS DRAWING IS UNPUBLISHED. RELEASED FOR PUBLICATION
 © COPYRIGHT - By - ALL RIGHTS RESERVED.

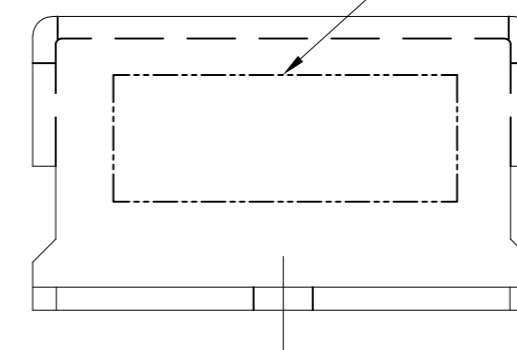
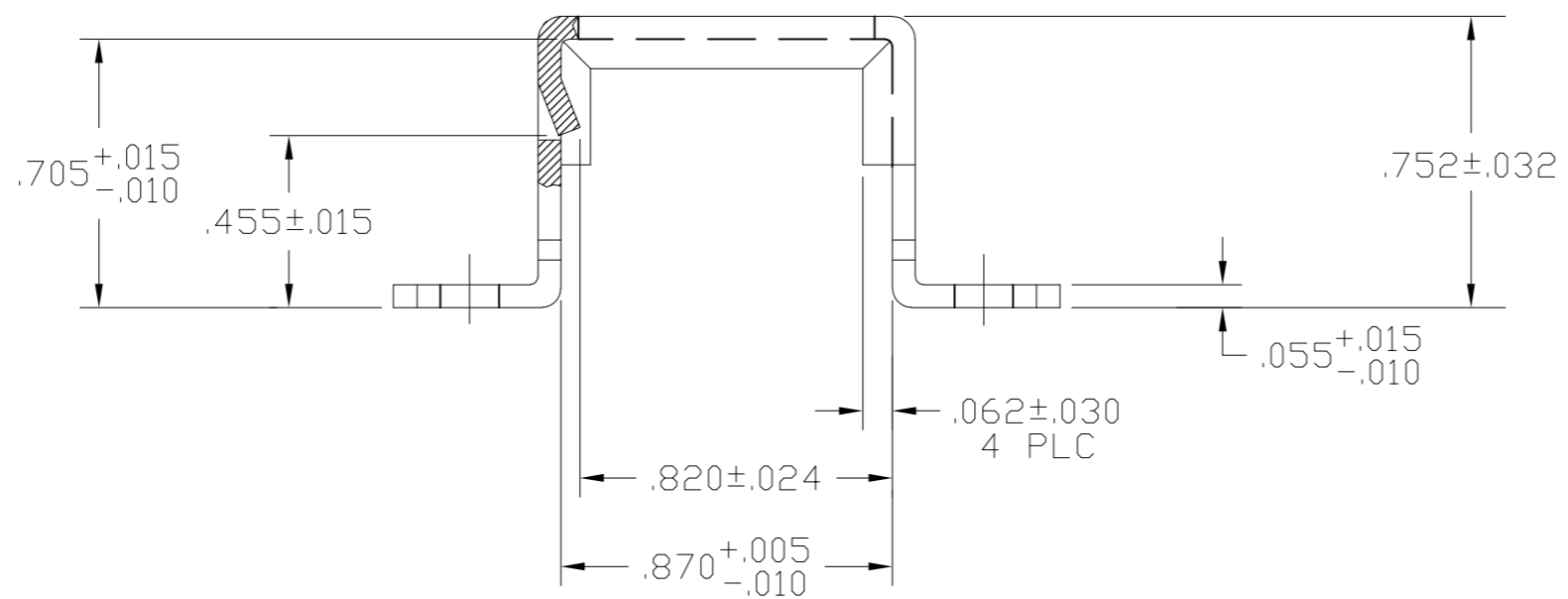
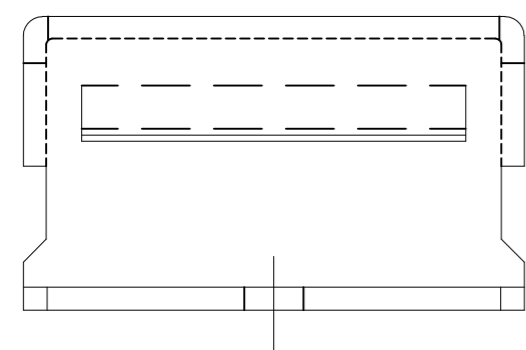
REVISIONS				
P	LTR	DESCRIPTION	DATE	DWN APVD
D		REV PER ECD 16-017481	12-21-16	CT HA



DETAIL H
591638-6



SEE DETAIL H



1 3

MTG. HOLES PER DETAIL H	ELECTROLESS NICKEL PER QQ-N-290	_____	591638-6
_____	BLACK ANODIZED PER MIL-A-8625 TYPE II, CLASS 2	8400-052-0000	591638-5
_____	BLACK ANODIZED PER MIL-A-8625 TYPE II, CLASS 2	G383962-2	591638-4
_____	BLACK ANODIZED PER MIL-A-8625 TYPE II, CLASS 2	_____	591638-1
DESCRIPTION	FINISH	CUSTOMER NO. 3	PART NO.

- 1 MARK "AMP", AMP PART NO. AND DATE CODE .060 MINIMUM HIGH CHARACTERS AT APPROXIMATE AREA SHOWN.
- 2. THIS FRAME ASSEMBLY ACCOMMODATES SINGLE SIZE 12 FEED-BACK MODULE OR THREE MODULES OF SIZES 16, 20 AND 22.
- 3 MARK CUSTOMER PART NO. IF REQUIRED .060 MINIMUM HIGH CHARACTERS AT APPROXIMATE AREA SHOWN.

THIS DRAWING IS A CONTROLLED DOCUMENT.

DWN	C. C. THOMAS	17JUN99
CHK	D. MILLER	6-17-99
APVD	D. MILLER	6-17-99
PRODUCT SPEC	NAME	
APPLICATION SPEC	BRACKET, GROUNDING MODULE, TJ	
FINISH	WEIGHT	0.000000
MATERIAL	SCALE	2:1
	SHEET	1 of 1
	REV	D

TE Connectivity

SIZE: A2 CAGE CODE: 00779 DRAWING NO: 591638

CUSTOMER DRAWING