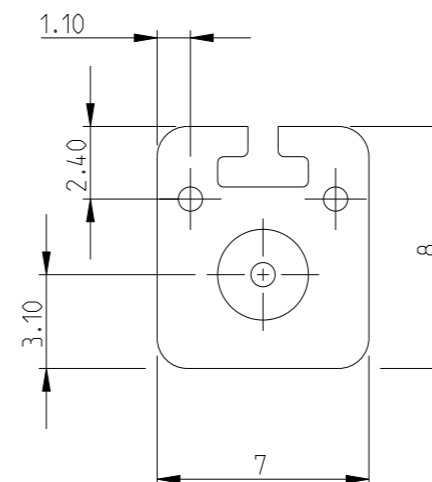
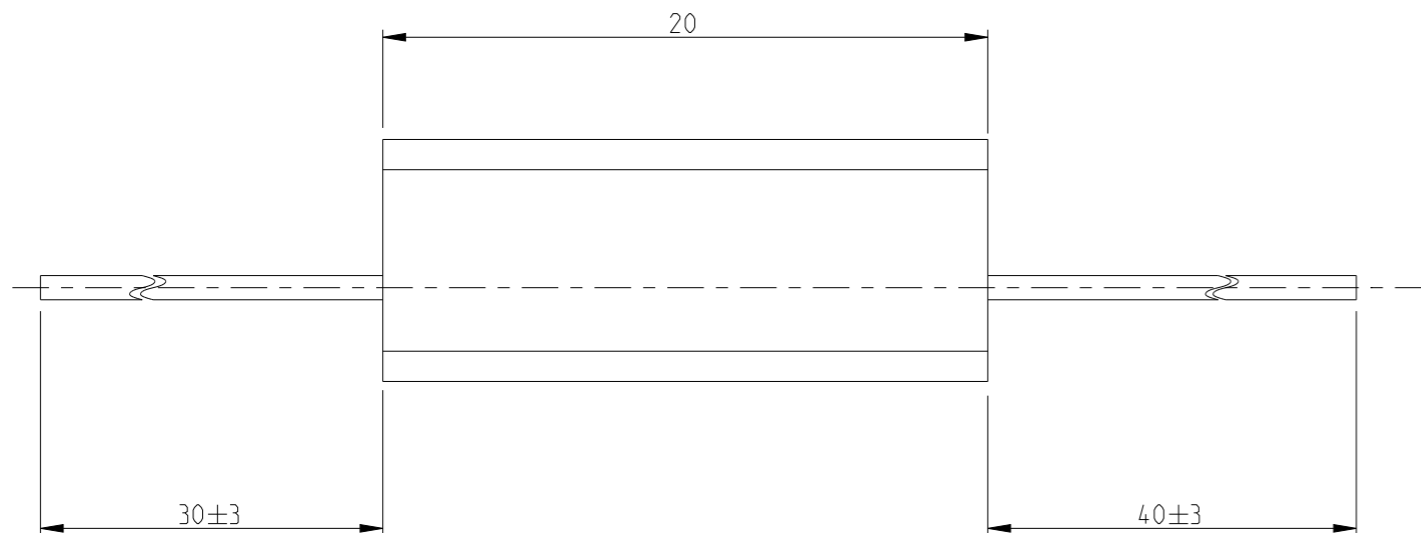


REVISIONS

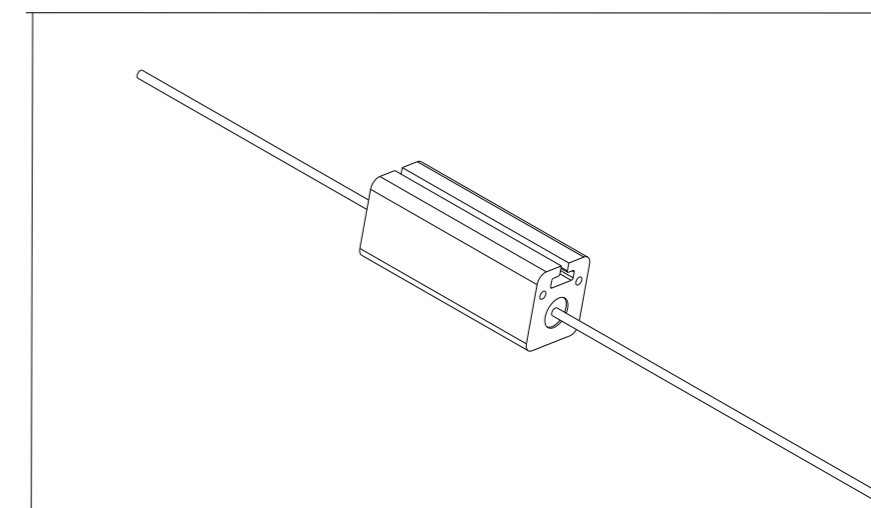
P	LTR	DESCRIPTION	DATE	DWN	APVD
	BA	NEW RELEASE	02AUG2010	PT	St.P
	BA1	CLARIFICATION NOTE ADDED	18APR2022	DM	AP




NOTES:

1. FOR FURTHER INFORMATION SEE DATA SHEET FOR SERIES TYPE SBC(SQUARE CERAMIC), HIGH POWER RESISTORS
2. THE HOLES AND FLUTES SHOWN IN THE CERAMIC CASING ARE PURELY FOR MOUNTING PURPOSES AND DO NOT IN ANY WAY AFFECT THE DISSIPATION CAPABILITIES OF THE RESISTOR. THEY CAN OFTEN BECOME BLOCKED DURING THE MANUFACTURING PROCESS. THIS WILL NOT AFFECT THE PERFORMANCE IN ANY WAY.

RoHS Compliant



THIS DRAWING IS A CONTROLLED DOCUMENT.		DWN 02AUG2010 PARUSURAM.T	 TE Connectivity	
DIMENSIONS: mm		CHK 02AUG2010 STEPHEN.P		
TOLERANCES UNLESS OTHERWISE SPECIFIED:		APVD 02AUG2010 STEPHEN.P	NAME HIGH POWER RESISTOR TYPE SBC (SQUARE CERAMIC) SERIES SBCHE4	
0 PLC ±0.2 1 PLC ±0.1 2 PLC ± 3 PLC ± 4 PLC ± ANGLES ±5°		PRODUCT SPEC -	RESTRICTED TO -	
MATERIAL -		FINISH -	APPLICATION SPEC -	SIZE A3
		WEIGHT 2.2g	CAGE CODE 00779	DRAWING NO C-1623730
		CUSTOMER DRAWING	SCALE 4:1	SHEET 1 OF 1
				REV BA1