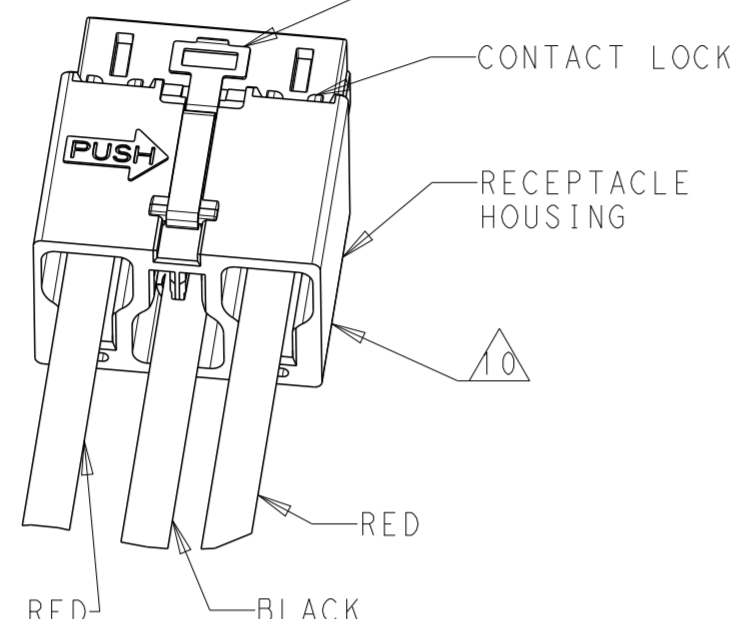
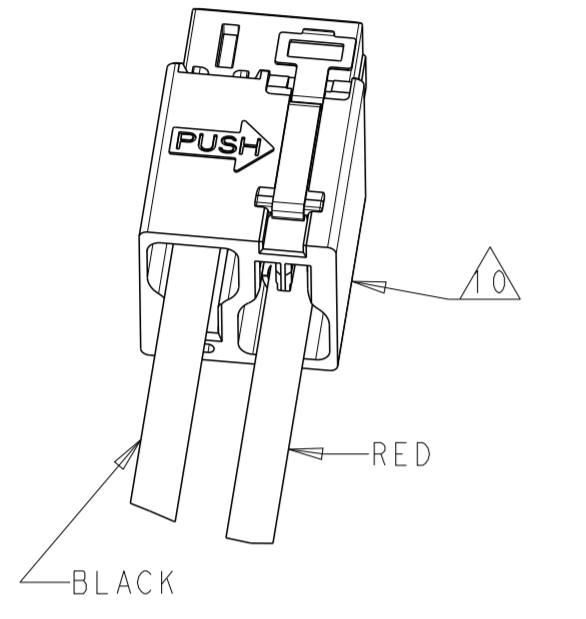
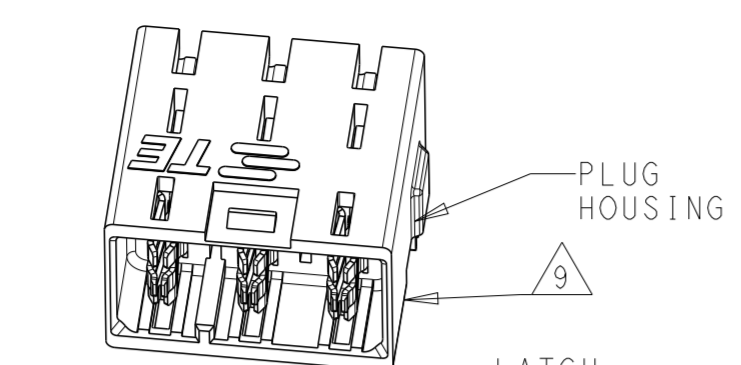
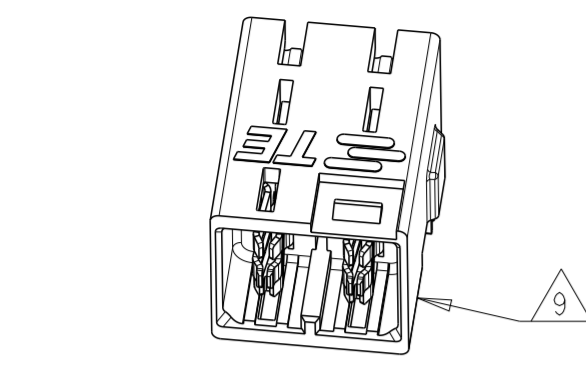


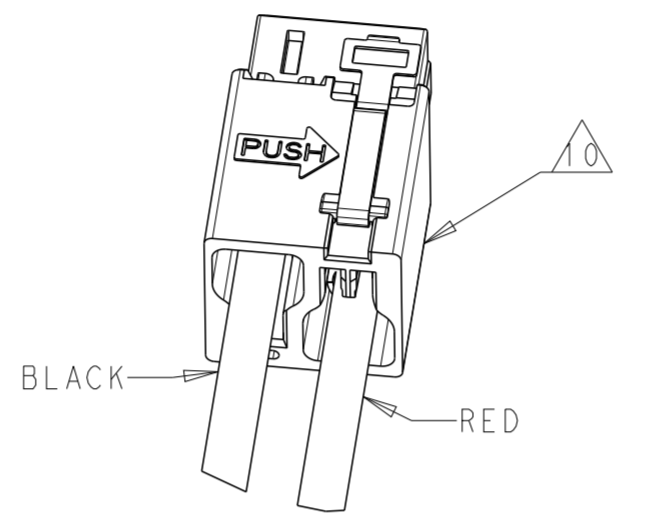
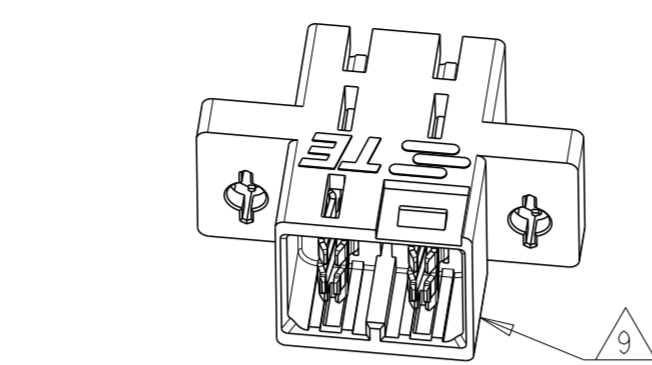
THIS DRAWING IS UNPUBLISHED. RELEASED FOR PUBLICATION 20  
 © COPYRIGHT 20 BY - ALL RIGHTS RESERVED.

REVISIONS				
P	LTR	DESCRIPTION	DATE	APVD
A		PRODUCTION RELEASE	31AUG2021	LN RL
B		REVISED PER ECN-22-176108	29SEP2022	LP RL

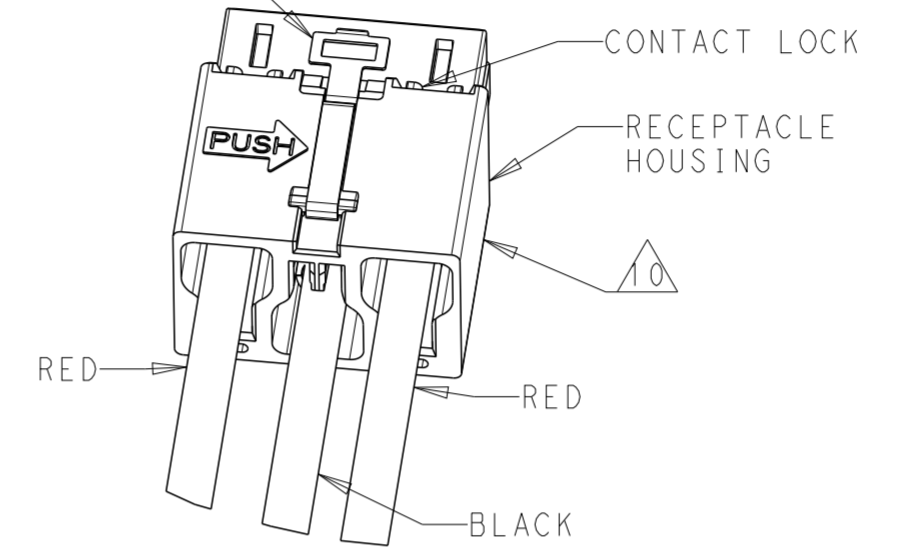
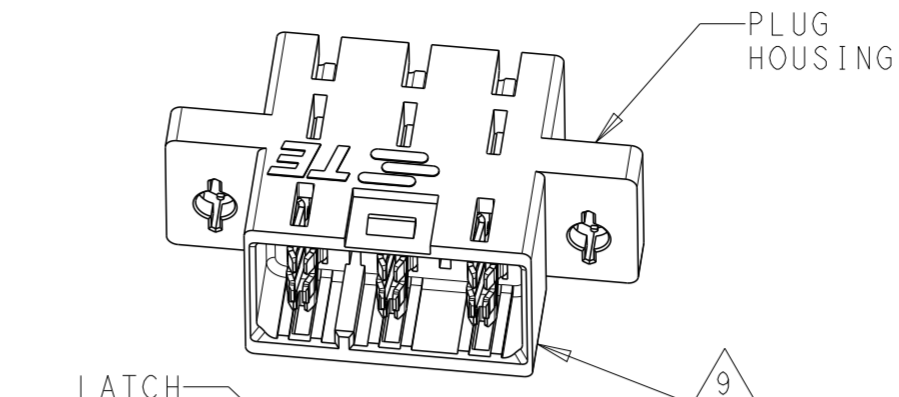


2 POSITION KIT  
2332664-1 THRU -4

3 POSITION KIT  
2332664-5 THRU -8



2 POSITION KIT  
PANEL MOUNT  
2332664-9 THRU -12



3 POSITION KIT  
PANEL MOUNT  
1-2332664-3 THRU -16

1 MATERIAL: LATCH - STAINLESS STEEL  
 CONTACTS - HIGH CONDUCTIVITY COPPER ALLOY  
 HOLDDOWNS - COPPER ALLOY  
 HOUSINGS - THERMOPLASTIC, UL94 V-0  
 MAIN HOUSINGS COLOR: ORANGE  
 CONTACT LOCKS COLOR: WHITE  
 WIRE - STRANDED COPPER WITH SILICONE JACKET,  
 RATED TO 200°C; COLOR: RED OR BLACK  
 AS SHOWN.

2 PLATING: CONTACTS - Ni UNDER ALL.  
 Au AT CONTACT AREA.  
 Sn AT PCB INTERFACE.  
 HOLD-DOWNS - TIN WITH NICKEL UNDERPLATING

3 MECHANICAL CONNECTOR KEEP OUT ZONE.

4 DATUM AND BASIC DIMENSIONS ESTABLISHED BY CUSTOMER.

5 PCB - HOLE DIAMETERS ARE FINISHED HOLE SIZE.

6 PCB - 1.15±0.03 DRILLED HOLES PLATED WITH .0076 MIN Sn  
 OVER .0254 TO .0762 Cu PLATING TO ACHIEVE A 1.02 DIA HOLE.

7 FEATURES DESIGNED TO RETAIN M3 THIN HEX NUT (DIN 439)

8. KIT PACKAGED UNMATED IN PLASTIC BAG.

9 REFERENCE PLUG CONNECTOR PRESS FIT ASSEMBLY TE P/N 2332665.

10 REFERENCE RECEPTACLE CONNECTOR ASSEMBLY TE P/N 2332672.

WIRE SIZE	DIM Z	DIM W	DIM X	DIM T	DIM R	DIM Y	DIM S	CONTACT STYLE	PANEL MOUNT FEATURES	DESCRIPTION	PART NO.
8 AWG	26.50	41.90	33.20	25.00	42.10	27.30	3.43±0.38	SOLDER TAIL	YES	3 POSITION	1-2332664-6
10 AWG	26.50	41.90	33.20	25.00	42.10	27.30	3.43±0.38	SOLDER TAIL	YES	3 POSITION	1-2332664-5
12 AWG	26.50	41.90	33.20	25.00	42.10	27.30	3.43±0.38	SOLDER TAIL	YES	3 POSITION	1-2332664-4
14 AWG	26.50	41.90	33.20	25.00	42.10	27.30	3.43±0.38	SOLDER TAIL	YES	3 POSITION	1-2332664-3
8 AWG	18.50	33.90	25.20	17.00	34.10	19.30	3.43±0.38	SOLDER TAIL	YES	2 POSITION	1-2332664-2
10 AWG	18.50	33.90	25.20	17.00	34.10	19.30	3.43±0.38	SOLDER TAIL	YES	2 POSITION	1-2332664-1
12 AWG	18.50	33.90	25.20	17.00	34.10	19.30	3.43±0.38	SOLDER TAIL	YES	2 POSITION	1-2332664-0
14 AWG	18.50	33.90	25.20	17.00	34.10	19.30	3.43±0.38	SOLDER TAIL	YES	2 POSITION	2332664-9
8 AWG	-	-	-	25.00	27.50	27.30	3.43±0.38	SOLDER TAIL	NO	3 POSITION	2332664-8
10 AWG	-	-	-	25.00	27.50	27.30	3.43±0.38	SOLDER TAIL	NO	3 POSITION	2332664-7
12 AWG	-	-	-	25.00	27.50	27.30	3.43±0.38	SOLDER TAIL	NO	3 POSITION	2332664-6
14 AWG	-	-	-	25.00	27.50	27.30	3.43±0.38	SOLDER TAIL	NO	3 POSITION	2332664-5
8 AWG	-	-	-	17.00	19.50	19.30	3.43±0.38	SOLDER TAIL	NO	2 POSITION	2332664-4
10 AWG	-	-	-	17.00	19.50	19.30	3.43±0.38	SOLDER TAIL	NO	2 POSITION	2332664-3
12 AWG	-	-	-	17.00	19.50	19.30	3.43±0.38	SOLDER TAIL	NO	2 POSITION	2332664-2
14 AWG	-	-	-	17.00	19.50	19.30	3.43±0.38	SOLDER TAIL	NO	2 POSITION	2332664-1

THIS DRAWING IS A CONTROLLED DOCUMENT.

DWN: K. MILLER 08OCT2018  
 CHK: N. RUFFINI 10OCT2018  
 APVD: -

TE Connectivity

NAME: UMP, PLUG AND RECEPTACLE, CONNECTOR KIT/ASSY, WIRE TO PCB WITH PIGTAILS

PRODUCT SPEC: 108-163021  
 APPLICATION SPEC: 114-163021

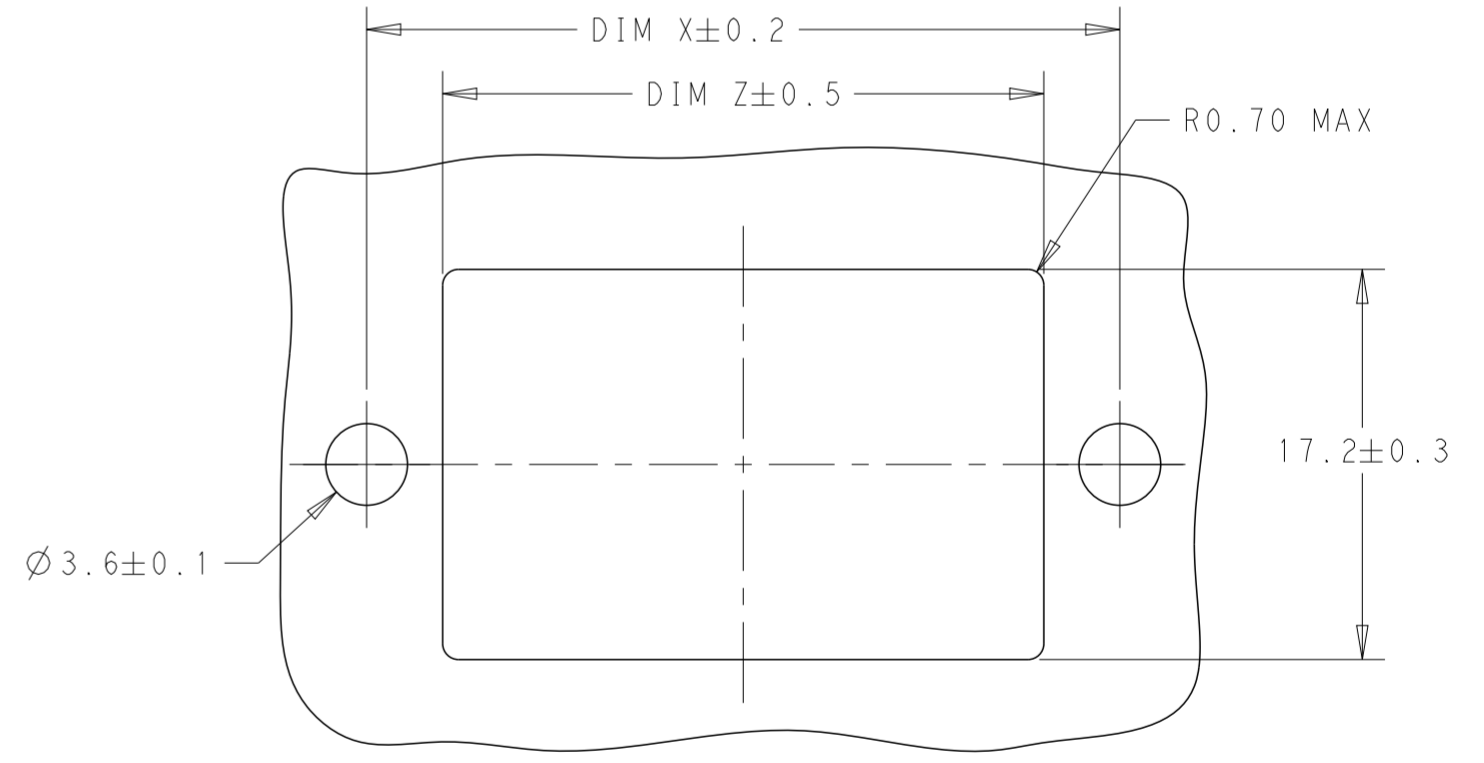
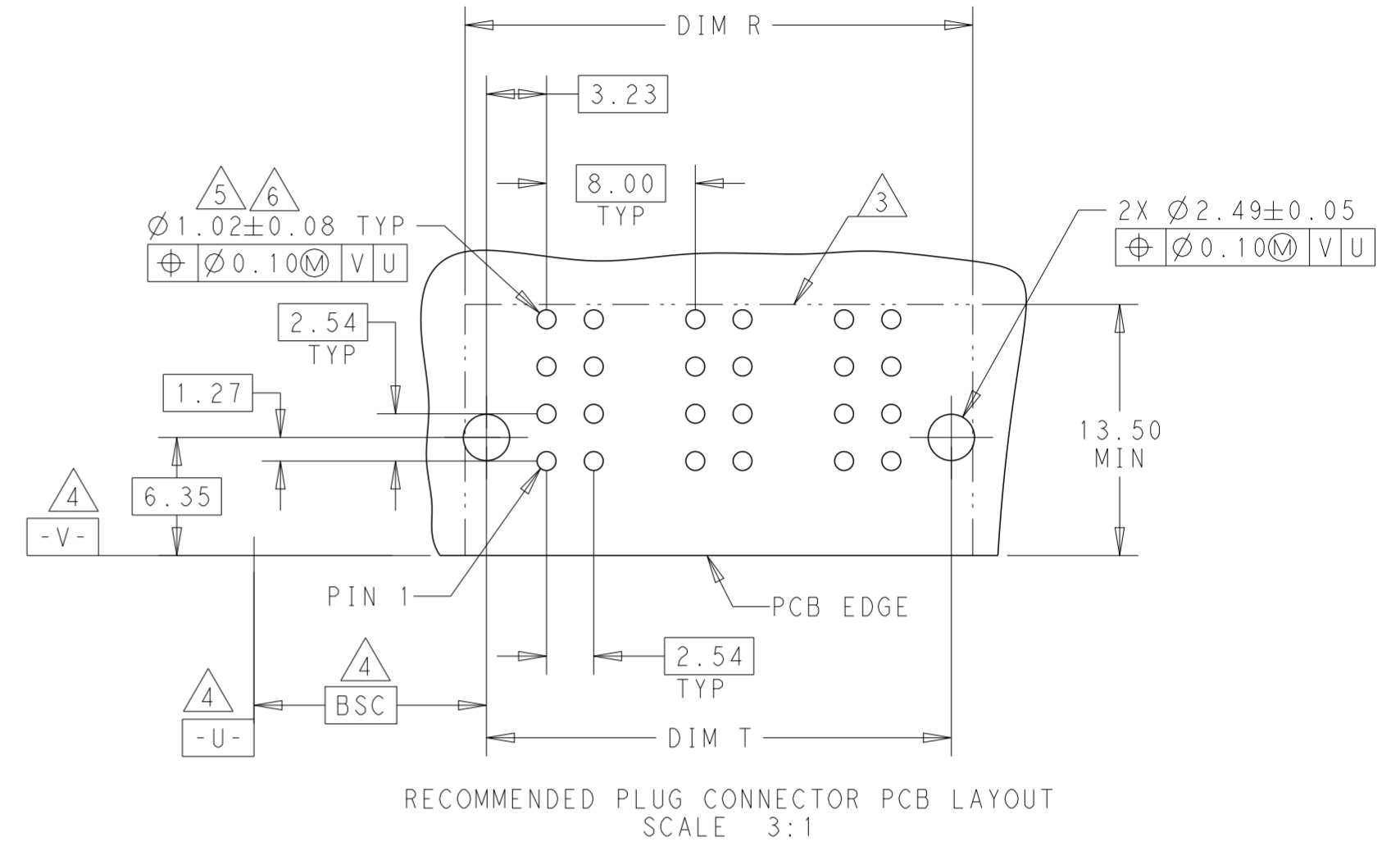
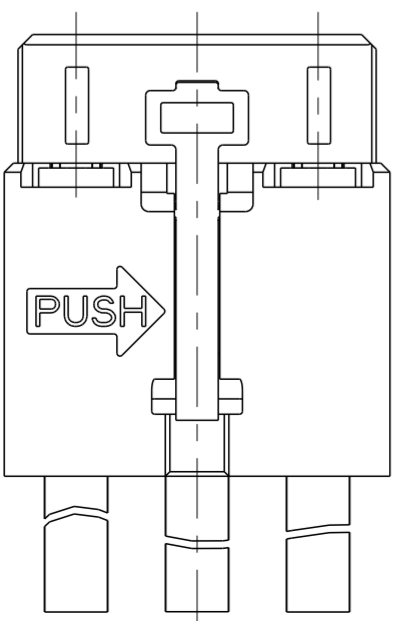
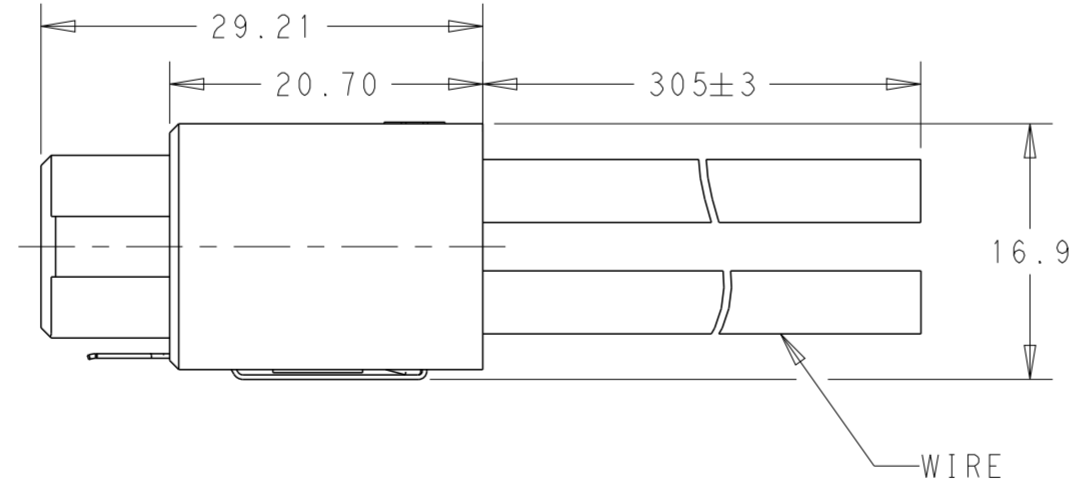
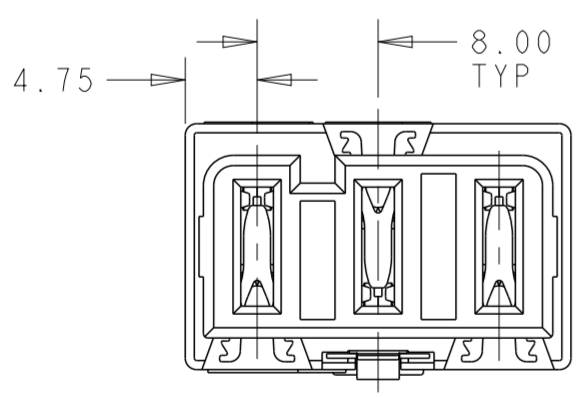
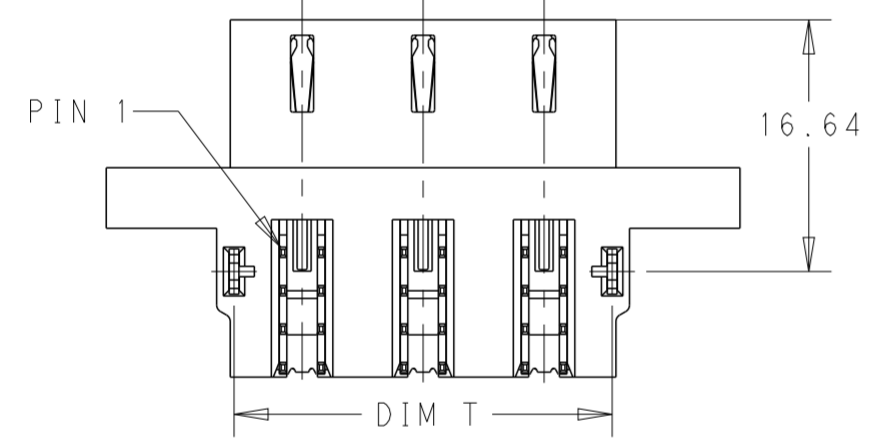
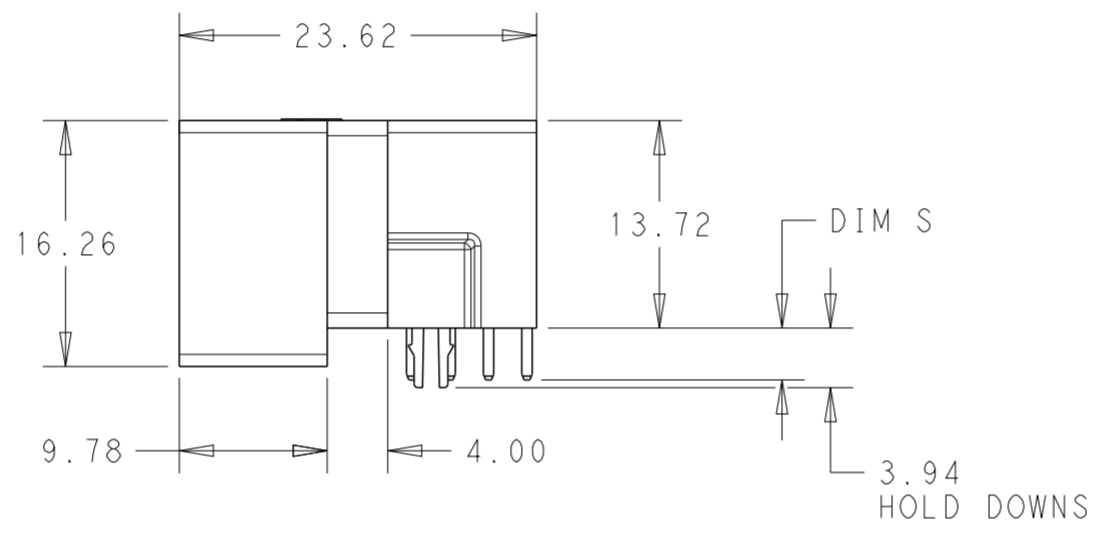
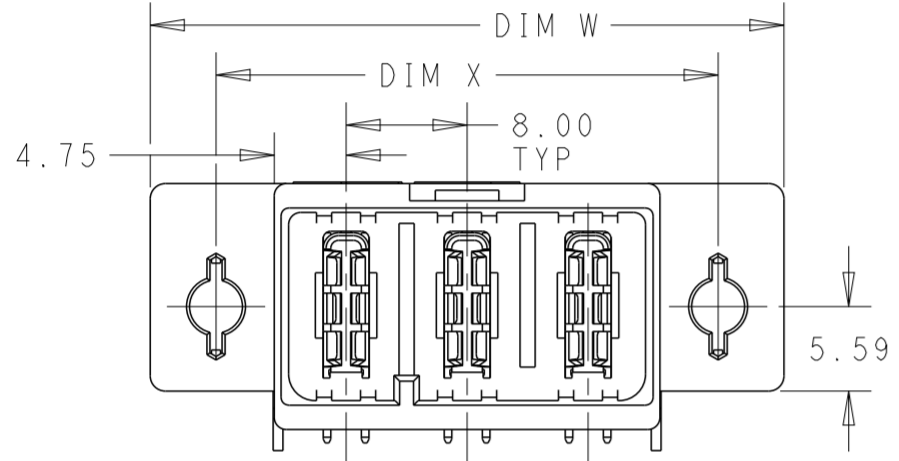
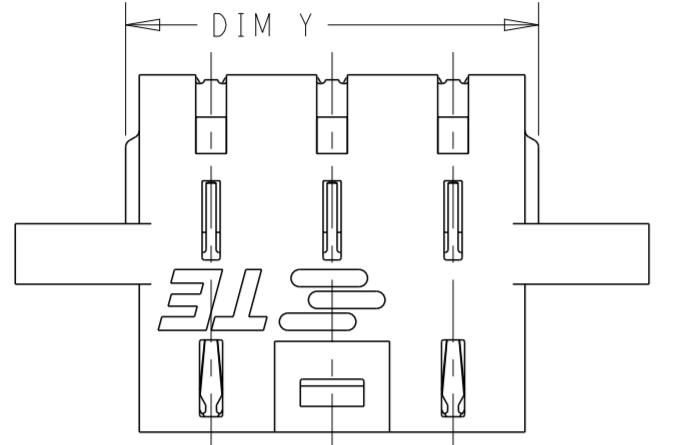
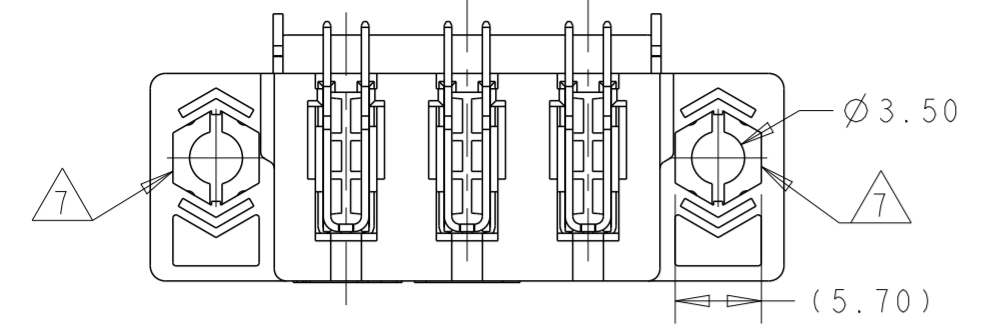
SIZE: A2 CAGE CODE: 00779 DRAWING NO: C-2332664 RESTRICTED TO: -

WEIGHT: -

CUSTOMER DRAWING SCALE: 3:2 SHEET: 1 OF 2 REV: B

THIS DRAWING IS UNPUBLISHED. RELEASED FOR PUBLICATION 20  
 © COPYRIGHT 20 BY - ALL RIGHTS RESERVED.

REVISIONS				
P	LTR	DESCRIPTION	DATE	APVD
-	-	SEE SHEET 1	-	-



THIS DRAWING IS A CONTROLLED DOCUMENT.		DWN K. MILLER 08OCT2018	TE Connectivity	
		CHK N. RUFFINI 10OCT2018		
DIMENSIONS:	TOLERANCES UNLESS OTHERWISE SPECIFIED:	APVD	NAME	
mm	0 PLC ± 1 PLC ±0.25 2 PLC ±0.13 3 PLC ± 4 PLC ± ANGLES ±2° FINISH	PRODUCT SPEC 108-163021	UMP, PLUG AND RECEPTACLE, CONNECTOR KIT/ASSY, WIRE TO PCB WITH PIGTAILS	
		APPLICATION SPEC 114-163021	SIZE	RESTRICTED TO
MATERIAL		WEIGHT	A200779	
		CUSTOMER DRAWING	C-2332664	
		SCALE	2:1	
		SHEET	2 OF 2	
		REV	B	