



Standard Range SIAMEZE* Insulation Displacement Terminals

1. SCOPE

1.1. Content

This specification covers performance, tests and quality requirements for Standard Range SIAMEZE* Insulation Displacement Terminals designed for general use as a magnet wire to external interface when inserted into a plastic pocket (cavity) designed to Tyco Electronics guidelines. The terminal is compatible with Single and Double build copper magnet wire 18 through 34 AWG (1.02 through 0.16 mm) and aluminum magnet wire 0.45mm through 1.00mm. Unless otherwise specified on the TE Connectivity Customer drawing, connection is to be made to an individual magnet wire or solid bare wire.

1.2. Qualification

When tests are performed on the subject product line, procedures specified in Figure 1 shall be used. All inspections shall be performed using the applicable inspection plan and product drawing.

1.3. Qualification Test Results

Successful qualification testing on the subject product line was completed on 04th Dec09. The Qualification Test Report number for copper wire testing is 501-723. This documentation is on file at and available from Engineering Practices and Standards (EPS). Test Report number for Aluminum wire testing is 501-106423. This documentation is on DM.TEC

1.4. Revision Summary

- Added Aluminum wire range in paragraph 1.1
- Added Aluminum wire qualification test number in paragraph 1.3 and 2.1
- Added Aluminum wire current carrying capacity in Figure 4

2. APPLICABLE DOCUMENTS AND FORMS

The following documents form a part of this specification to the extent specified herein. Unless otherwise specified, the latest edition of the document applies. In the event of conflict between the requirements of this specification and the product drawing, the product drawing shall take precedence. In the event of conflict between the requirements of this specification and the referenced documents, this specification shall take precedence.

2.1. TE Connectivity (TE) Documents

- 114-13166: Application Specification (SIAMEZE Standard and Fine Range Terminals)
- 501-723: Qualification Test Report (Standard Range SIAMEZE* Insulation Displacement Terminals for copper wire)
- 501-106423: Qualification Test Report (Standard Range SIAMEZE* Insulation Displacement Terminals for Aluminum wire)

2.2. Industry Documents

- EIA-364: Electrical Connector/Socket Test Procedures Including Environmental Classifications

2.3. Reference Document

109-197: Test Specification (AMP Test Specifications vs EIA and IEC Test Methods)

3. REQUIREMENTS

3.1. Design and Construction

Product shall be of the design, construction and physical dimensions specified on the applicable product drawing.

3.2. Materials

Materials used in the construction of this product shall be as specified on the applicable product drawing.

3.3. Performance and Test Description

Product is designed to meet the electrical, mechanical and environmental performance requirements specified in Figure 1. Unless otherwise specified, all tests shall be performed at ambient environmental conditions. All electrical and environmental tests shall be performed with the terminals inserted into a TE Connectivity bobbin with a connection configuration per Figure 3.

3.4. Test Requirements and Procedures Summary

TEST DESCRIPTION	REQUIREMENT	PROCEDURE
Initial examination of product	Meets requirements of product drawing.	EIA-364-18. Visual and dimensional (C of C) inspection per product drawing.
Final examination of product	Meets visual requirements.	EIA-364-18. Visual inspection.
ELECTRICAL		
Low level contact resistance (LLCR)	20% maximum increase from initial LLCR reading. See Figure 3.	EIA-364-23. Subject specimens to 100 milliamperes maximum and 20 millivolts maximum open circuit voltage.
Current cycling	See Figure 4.	EIA-364-55, Test Condition A, Test Method 2. Subject specimens to 100% of rated current for wire size being tested for 250 cycles of 15 minutes ON and 15 minutes OFF.
MECHANICAL		
Retention force	45 N [10 lbf] minimum for single barb. 90 N [20 lbf] minimum for multiple barb. See Note 1. 65 N [15 lbf] minimum for stranded lead wire with Lead Lok. See Note 2.	EIA-364-8. Determine retention force at a maximum rate of 25.4 mm [1 in] per minute.
ENVIRONMENTAL		
Thermal shock	See Note 3.	EIA-364-32. Subject specimens to 25 cycles between -40°C and +125°C with 30 minutes at each temperature extreme.

Humidity /Temperature cycling	See Note 3.	EIA-364-31, Method III. Subject specimens to 10 cycles (10days) between 25 and 65° C at 80 to100% RH.
Temperature Life	See Note 3.	EIA-364-17, Subject specimens to 118°C for 33days.

NOTE

- (1) Vertical force required to extract the terminal from a pocket (cavity) molded to TE Connectivity guidelines in Nylon 6/6 30% GF.
- (2) Vertical force required to extract a PVC insulated stranded lead wire secured with Lead Lok from a pocket (cavity) molded in Nylon 6/6 30% GF that complies with TE Connectivity specifications.
- (3) Shall meet visual requirements, show no physical damage, and meet the requirements of additional tests as specified in the Product Qualification and Requalification Test Sequence shown in Figure 2.

Figure 1 (end)

3.5. Product Qualification and Requalification Test Sequence

TEST OR EXAMINATION	TEST GROUP (a)			
	1	2	3	4
	TEST SEQUENCE (b)			
Initial examination of product	1	1	1	1
Low Level Contact Resistance	2,4,6	2,4		2,4
Current cycling		3		
Retention force			2	
Thermal shock	5			
Humidity/Temperature cycling	3			
Temperature life				3
Final examination of product	7	5	3	5



NOTE

- (a) See paragraph 4.1.A
- (b) Numbers indicate sequence in which tests are performed.

Figure 2

4. QUALITY ASSURANCE PROVISIONS

4.1. Qualification Testing

A. Specimen Selection

Specimens shall be prepared in accordance with applicable Instruction Sheets and shall be selected at random from current production. Each test group shall consist of 30 terminals (15 interconnected bobbin assemblies) per magnet wire size.

B. Test Sequence

Qualification inspection shall be verified by testing specimens as specified in Figure 2.

4.2. Requalification Testing

If changes significantly affecting form, fit or function are made to the product or manufacturing process, product assurance shall coordinate requalification testing; consisting of all or part of the original testing sequence as determined by development/product, quality and reliability engineering.

4.3. Acceptance

Acceptance is based on verification that the product meets the requirements of Figure 1. Failures attributed to equipment, test setup or operator deficiencies shall not disqualify the product. If product failure occurs, corrective action shall be taken and specimens resubmitted for qualification. Testing to confirm corrective action is required before resubmittal.

4.4. Quality Conformance Inspection

The applicable quality inspection plan shall specify the sampling acceptable quality level to be used. Dimensional and functional requirements shall be in accordance with the applicable product drawing and this specification

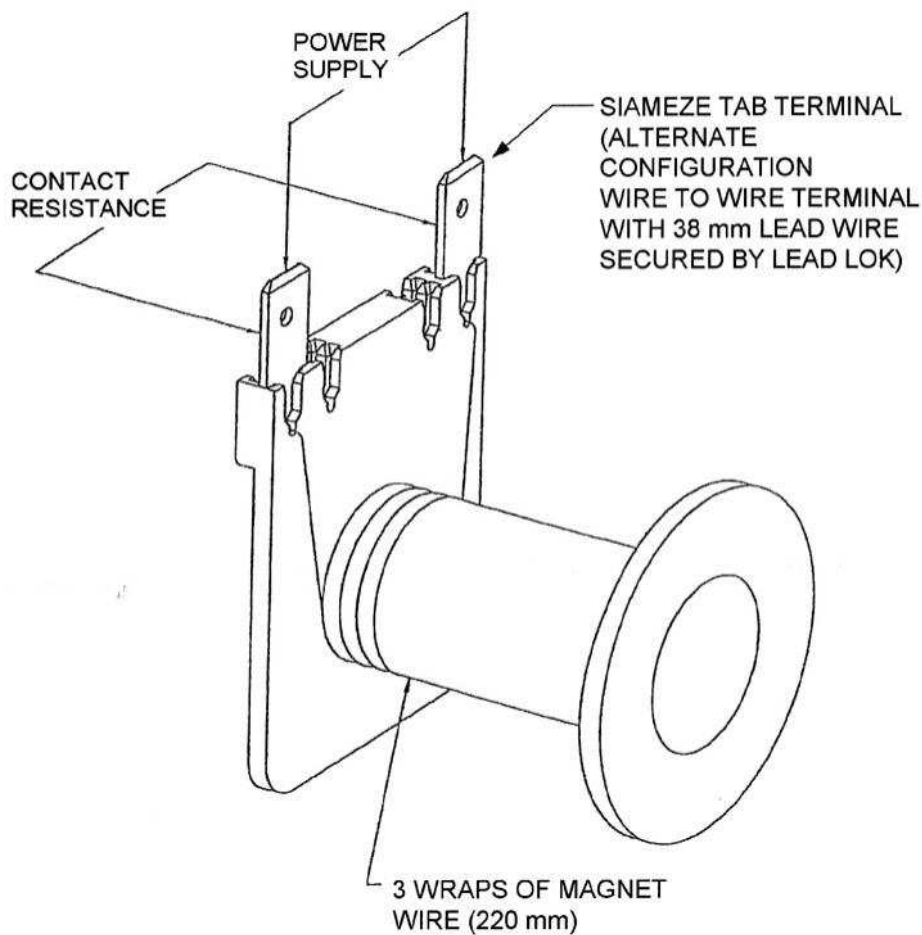


Figure 3
Test Configuration

Wire Size (AWG [mm Ø])	Current Carrying Capacity (amperes)		Wire Size (AWG [mm Ø])	Current Carrying Capacity (amperes)	
	Copper wire	Aluminum wire		Copper wire	Aluminum wire
18 [1.02]	13	9.0	27[0.36]	3.5	2.4
19[0.91]	11	7.7	28[0.32]	3.0	2.1
20[0.81]	10	7.0	29[0.29]	2.5	1.7
21[0.72]	9	6.3	30[0.25]	2	1.4
22[0.65]	8	5.4	31[0.23]	1.5	1.0
23[0.57]	7	4.9	32[0.20]	1	0.7
24[0.51]	6	4.2	33[0.18]	1	0.7
25[0.46]	5	3.5	34[0.16]	0.75	0.5
26[0.40]	4	2.8			

Figure 4