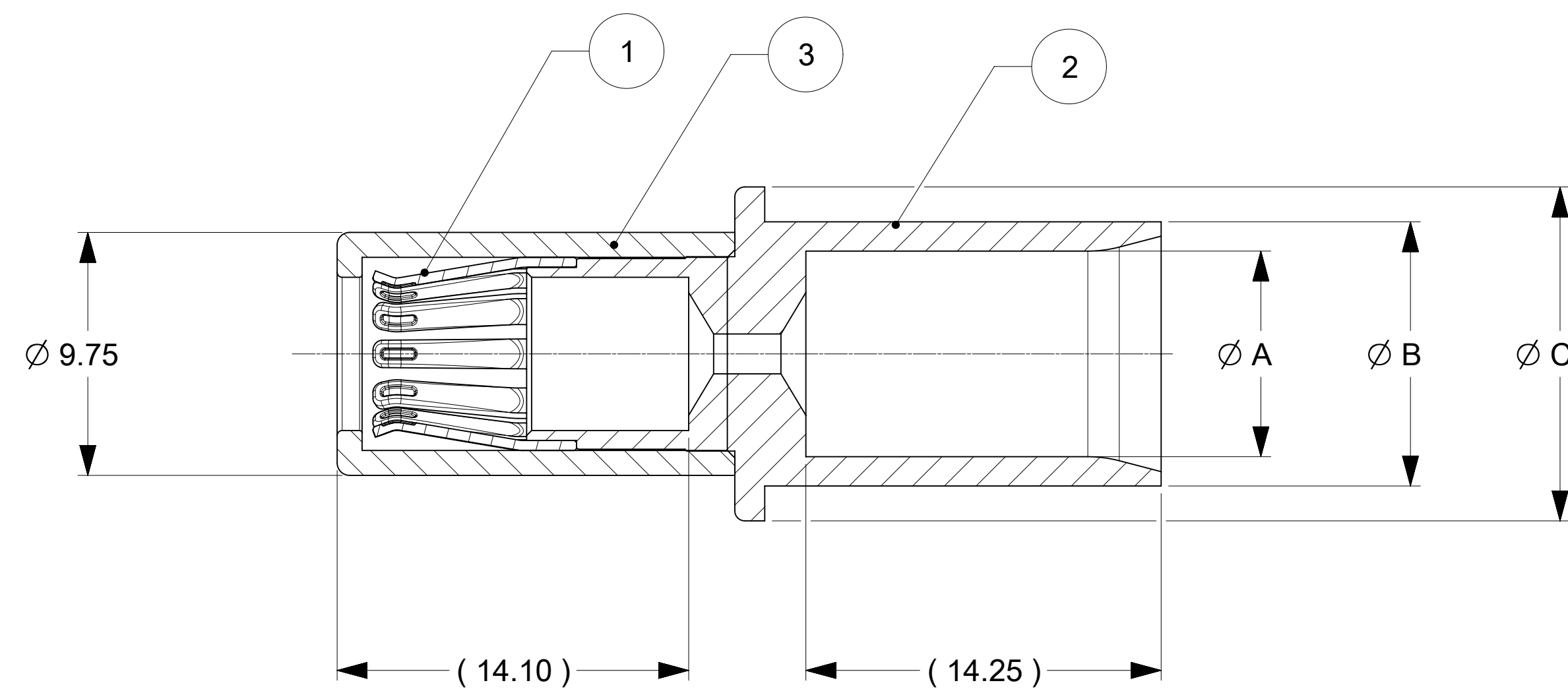
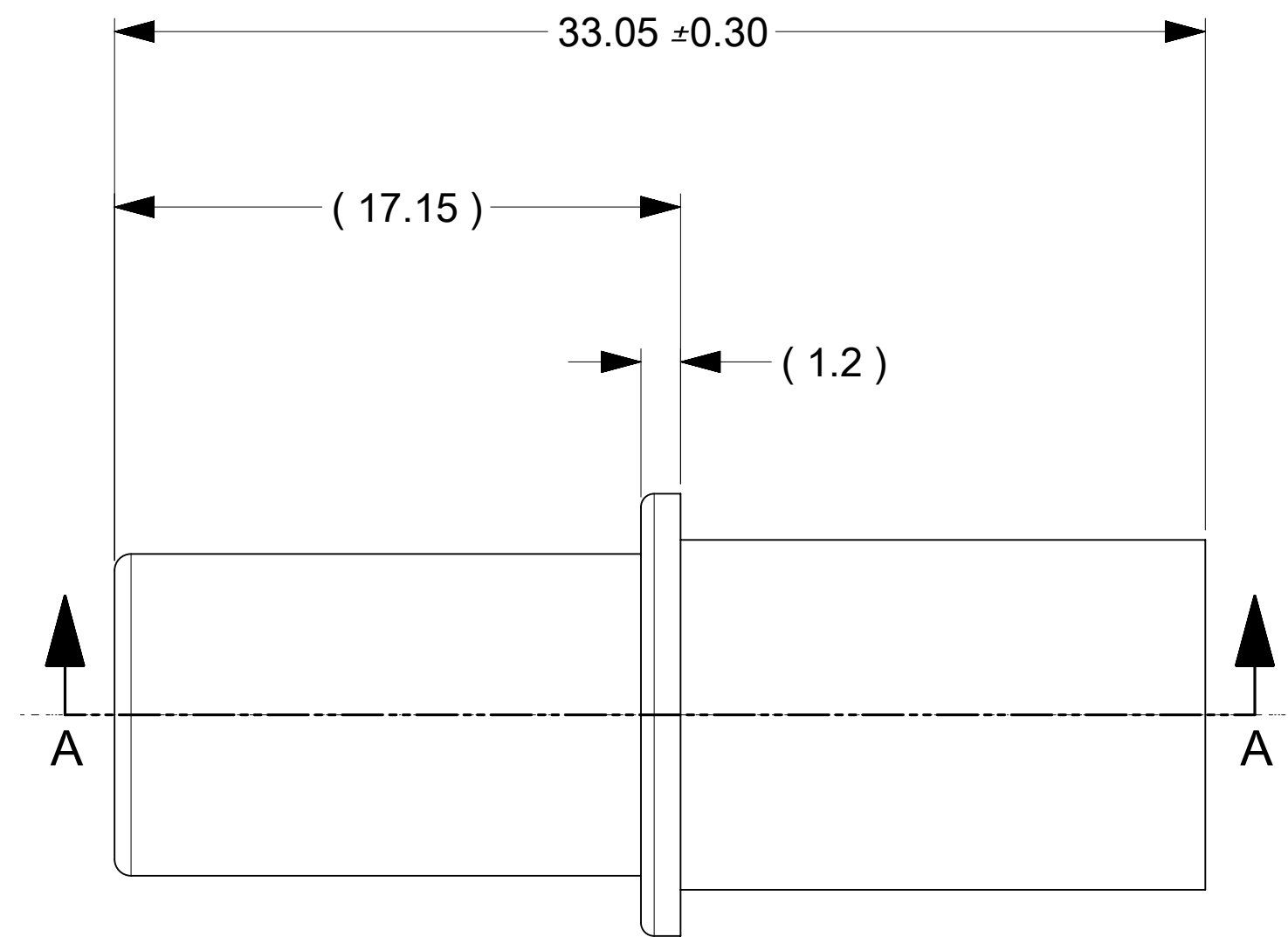
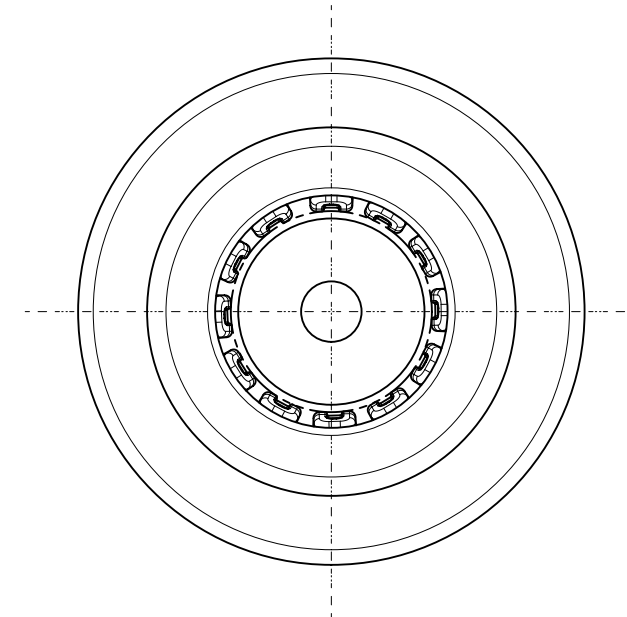
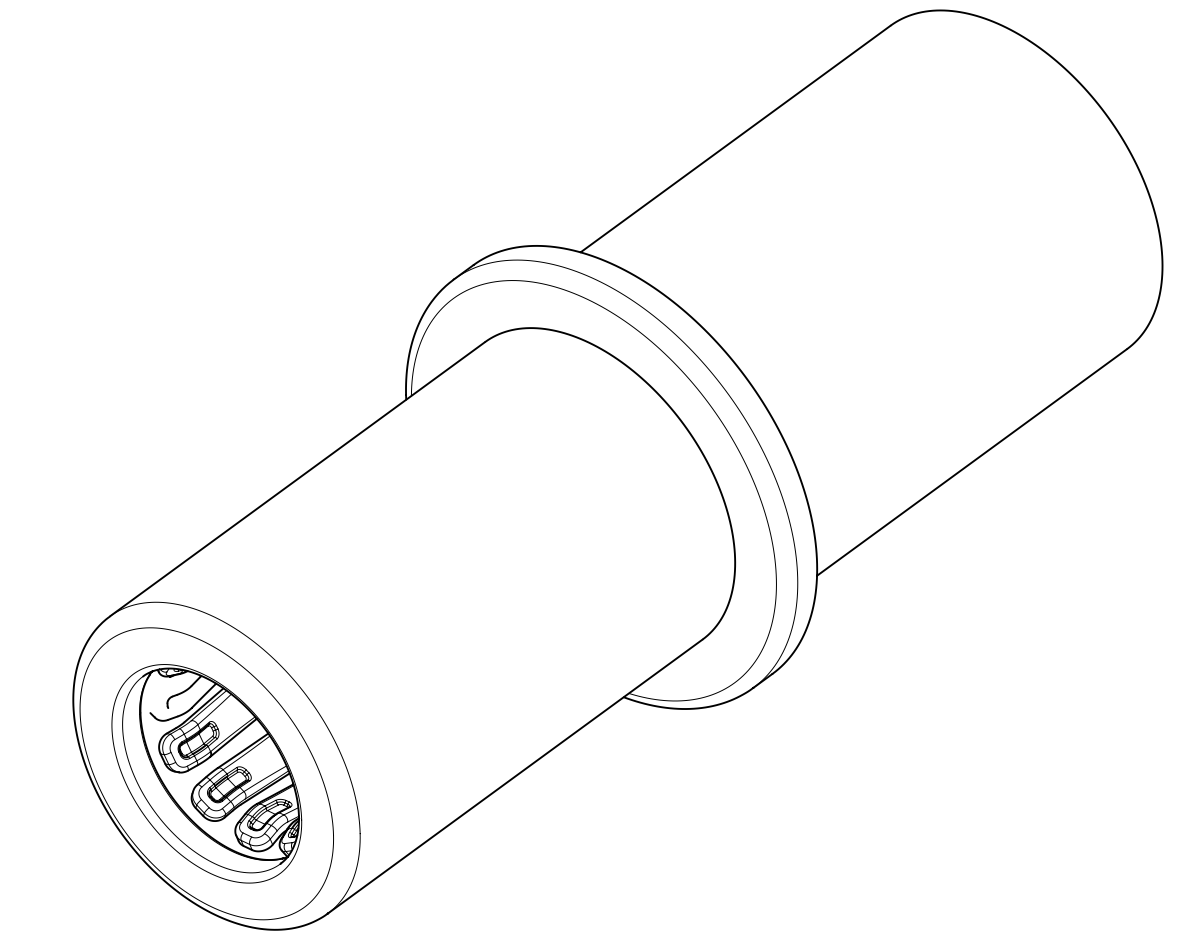


PART NUMBER	DIM"A"	DIM"B"	DIM"C"	NOTE
204608-0006	∅ 8.25	∅ 10.60	∅ 13.4	FOR 2 AWG
204608-1006	∅ 5.40	∅ 8.00	∅ 13.4	FOR 6 AWG
204608-2006	∅ 3.40	∅ 5.40	∅ 12.4	FOR 10 AWG
204608-3006	∅ 6.80	∅ 9.10	∅ 13.4	FOR 4 AWG
204608-4006	∅ 4.20	∅ 5.80	∅ 12.4	FOR 8 AWG
204608-5006	∅8.60	∅ 10.95	∅ 13.4	FOR 2+ AWG

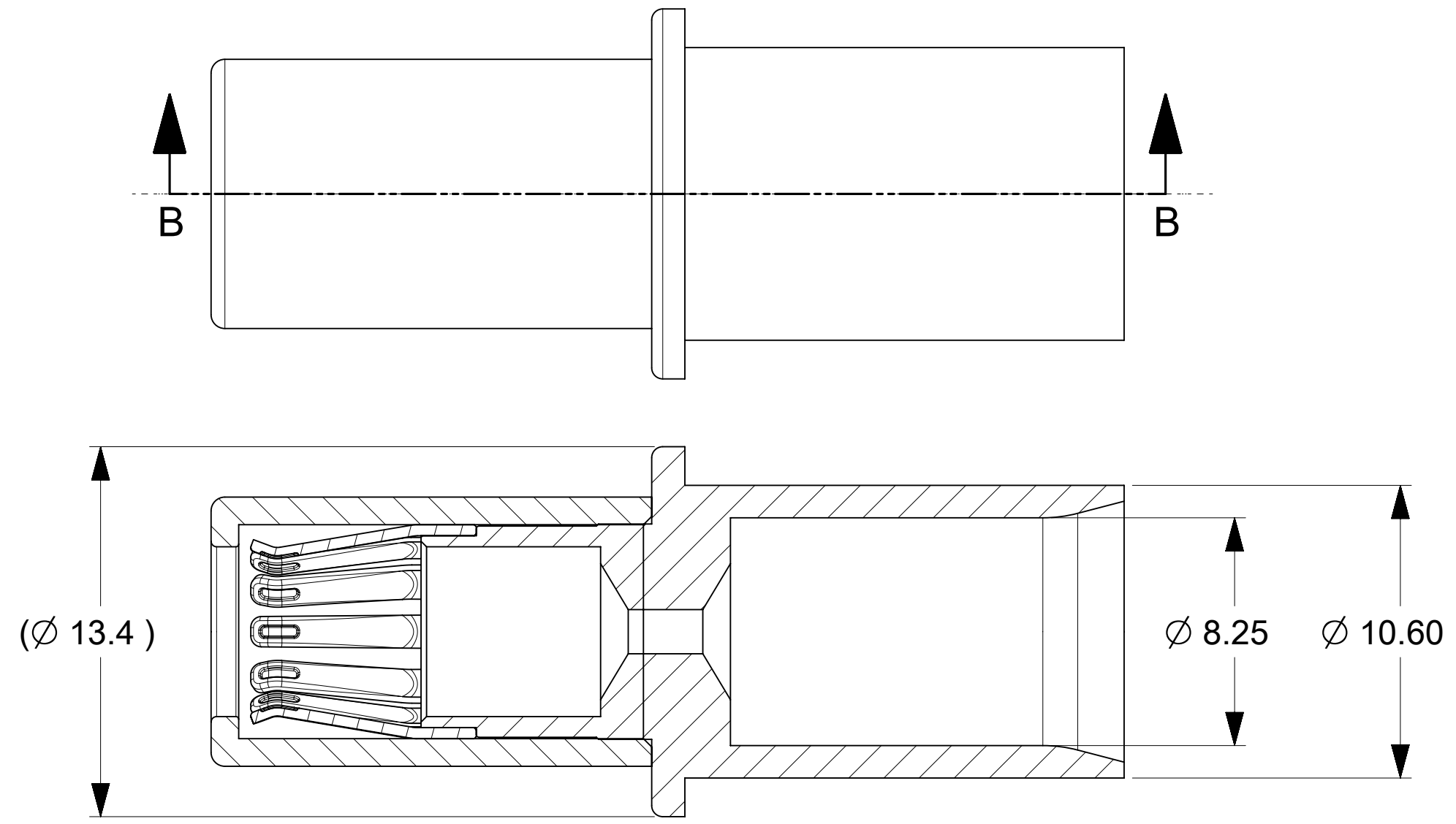


SECTION A-A

- NOTES:
- MATERIALS: COPPER ALLOY.
 - PLATING:
 - CONTACT AREA: GOLD.
 - REST: PURE SILVER.
 - MATES WITH PIN SERIES 203XXX-****
 - PRODUCT SPECIFICATION: 2119410000-PS
 - APPLICATION SPECIFICATION: 2119410000-AS
 - PACKAGE SPECIFICATION 204608-0006-PK
 - RoHS COMPLIANT.
 - SLIVER COMPONENTS WILL BE SUPPLIED TARNISH FREE BUT MAT TARNISH OVER TIME

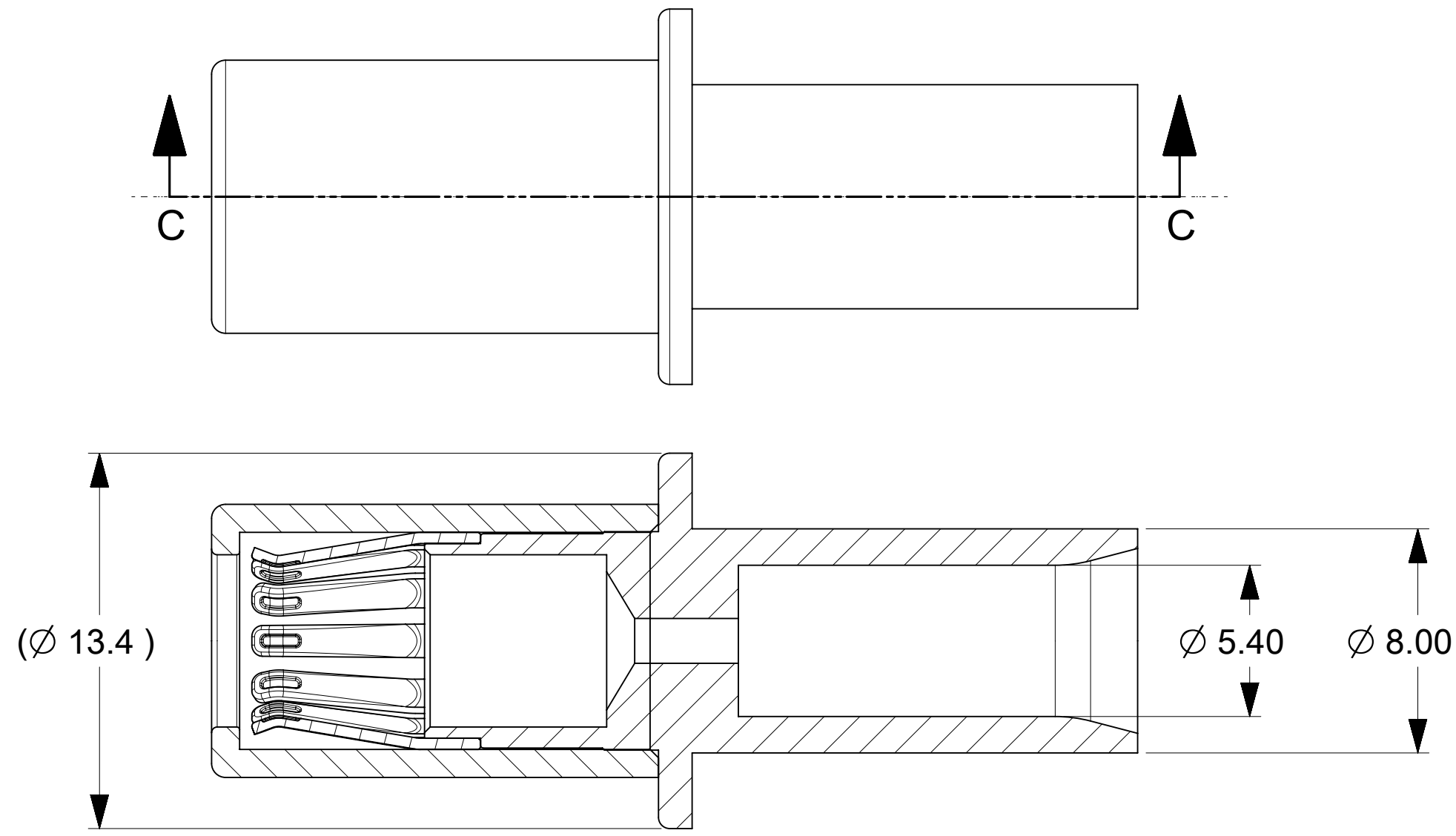
THIS DRAWING CONTAINS INFORMATION THAT IS PROPRIETARY TO MOLEX ELECTRONIC TECHNOLOGIES, LLC AND SHOULD NOT BE USED WITHOUT WRITTEN PERMISSION									
DIMENSION UNITS mm		SCALE 5:1		CURRENT REV DESC:				molex	
GENERAL TOLERANCES (UNLESS SPECIFIED)		ANGULAR TOL ± °		EC NO: 625331					
4 PLACES ±		3 PLACES ±		2 PLACES ± 0.15		1 PLACE ± 0.25		6MM CST FEMALE CRIMP TERMINAL	
0 PLACES ±		DRAFT WHERE APPLICABLE MUST REMAIN WITHIN DIMENSIONS		THIRD ANGLE PROJECTION		DRAWING SERIES		PRODUCT CUSTOMER DRAWING	
DRWN: TOMLU 2019/10/23		CHK'D: BPISZCZOR 2019/10/29		APPR: BPISZCZOR 2019/10/29		INITIAL REVISION:		DOCUMENT NUMBER	
DRWN: TOMLU 2019/03/14		APPR: BPISZCZOR 2019/08/02		D-SIZE 204608		MATERIAL NUMBER		DOC TYPE DOC PART REVISION	
SEE CHART		CUSTOMER		SHEET NUMBER		2046080000-SD		PSD 000 A1	
1 OF 2									

P/N: 204608-0006 (2 AWG)



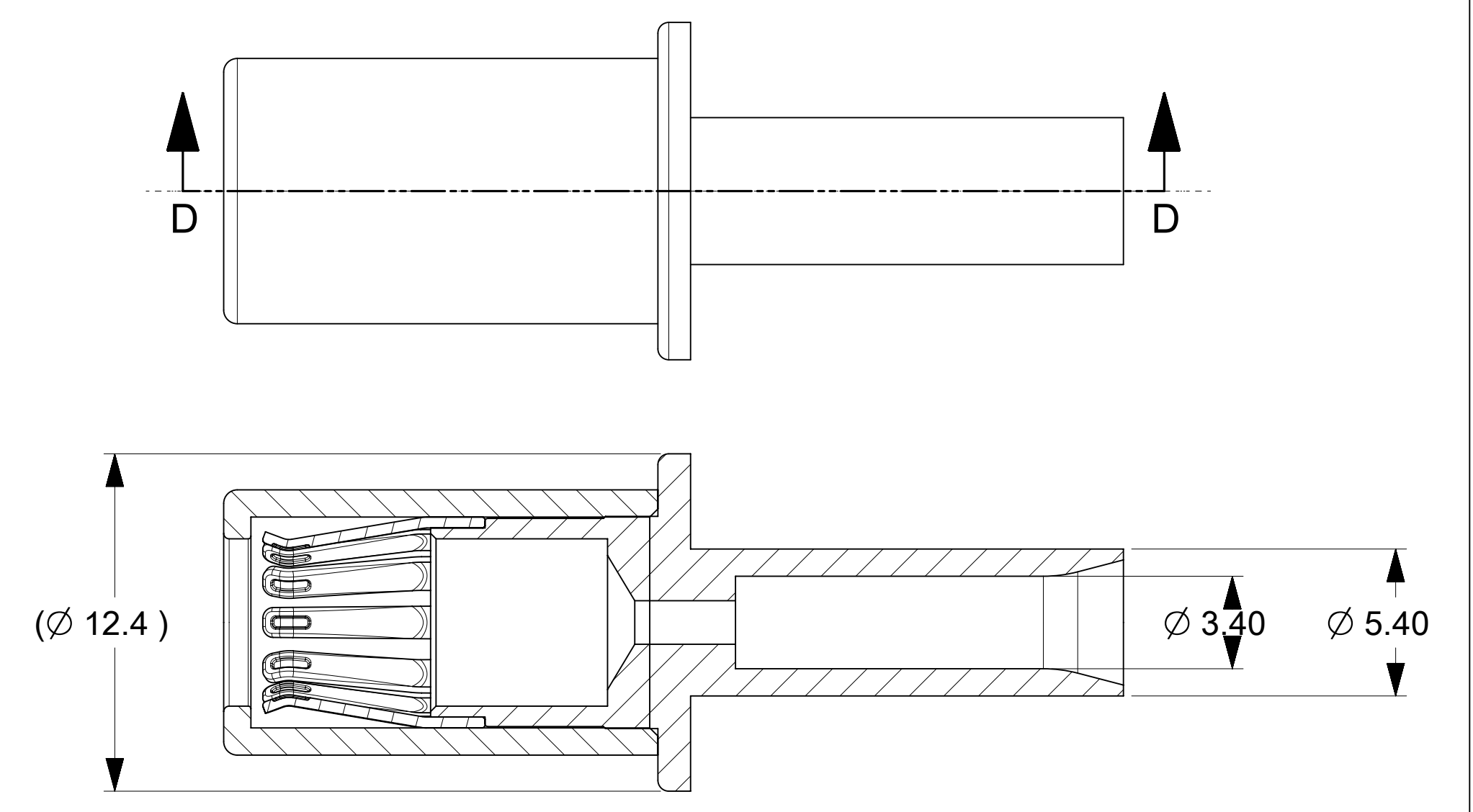
SECTION B-B

P/N: 204608-1006 (6 AWG)



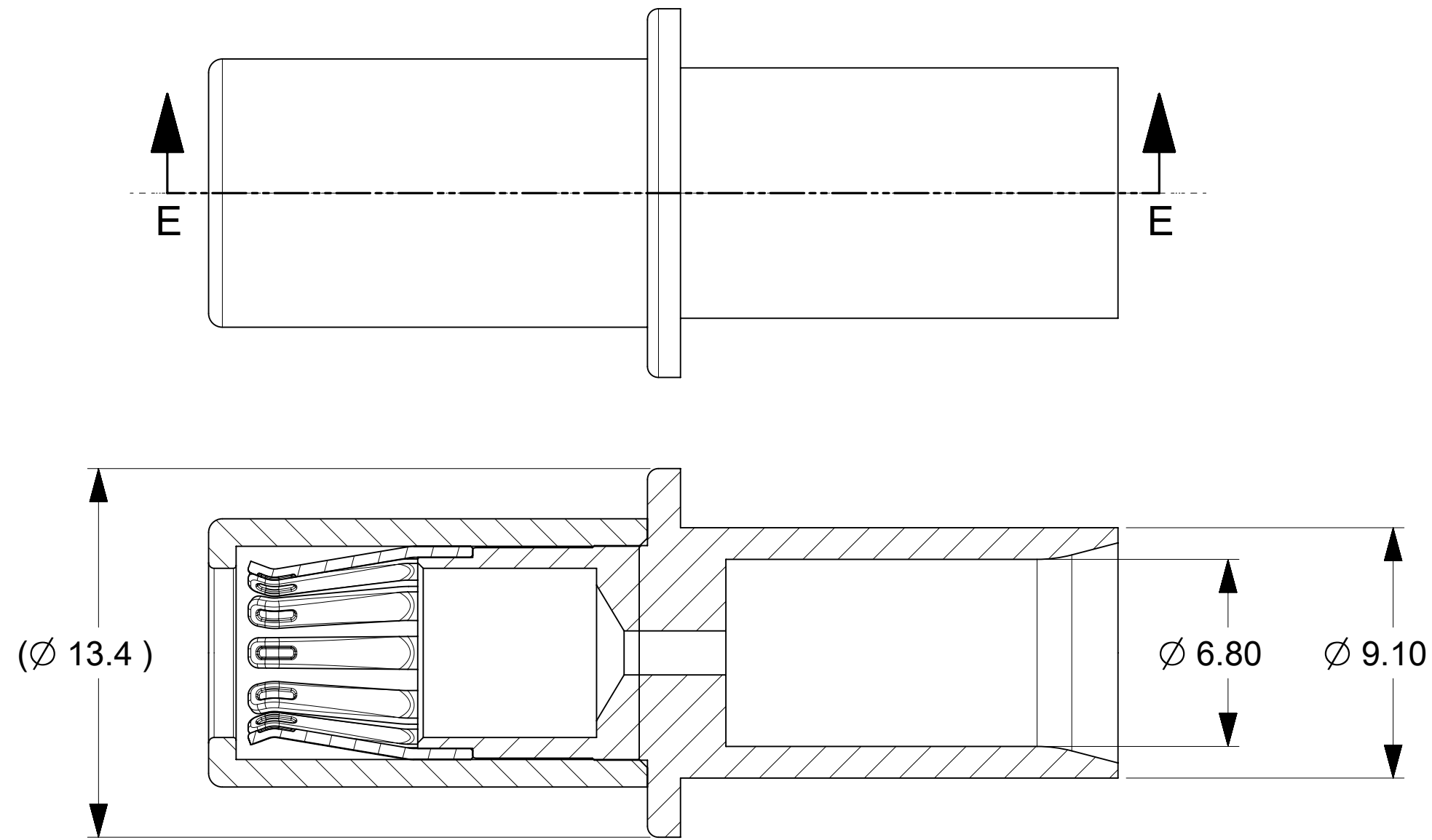
SECTION C-C

P/N: 204608-2006 (10 AWG)



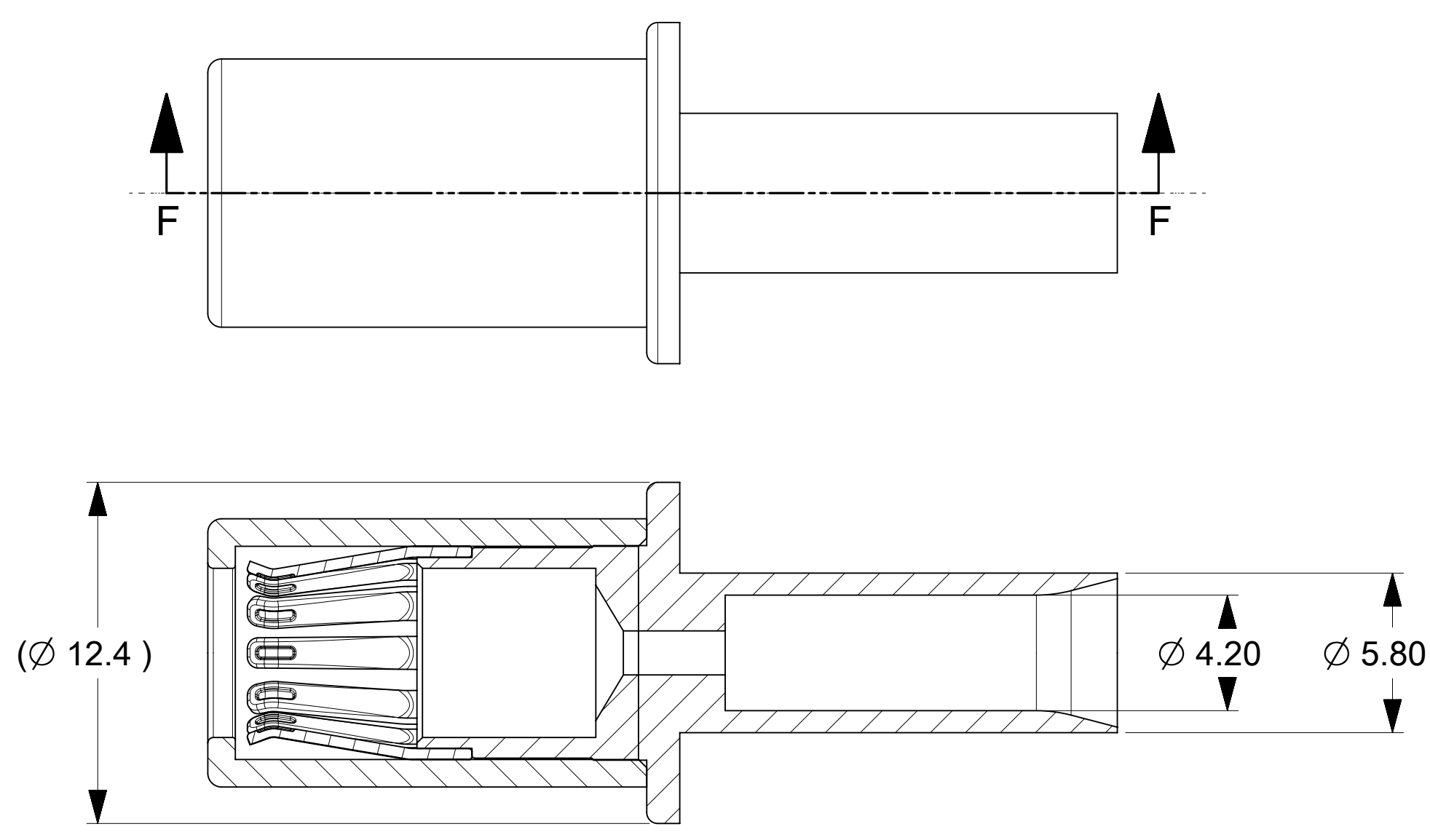
SECTION D-D

P/N: 204608-3006 (4 AWG)



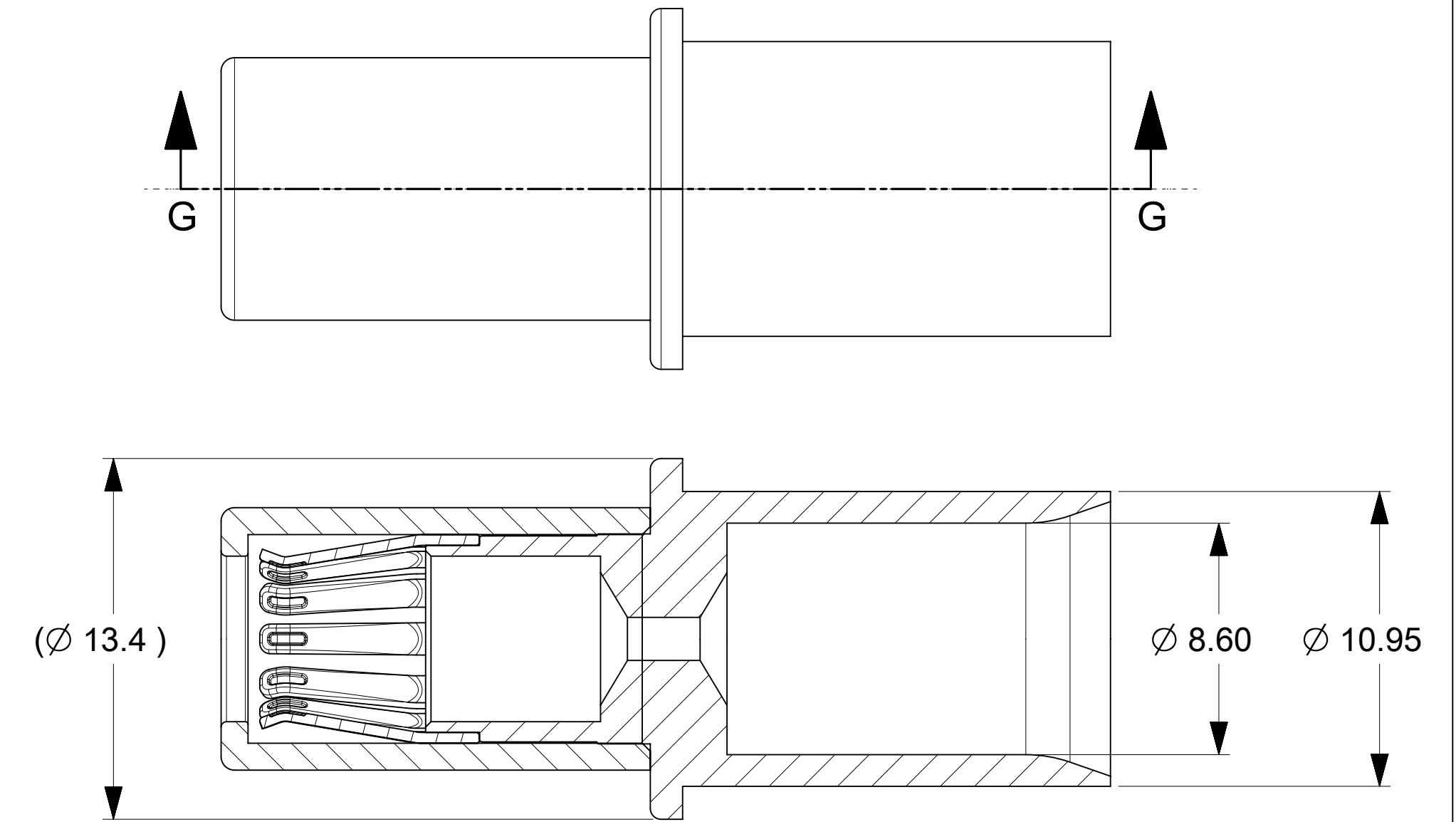
SECTION E-E

P/N: 204608-4006 (8 AWG)



SECTION F-F

P/N: 204608-5006 (2+ AWG)



SECTION G-G

THIS DRAWING CONTAINS INFORMATION THAT IS PROPRIETARY TO MOLEX ELECTRONIC TECHNOLOGIES, LLC AND SHOULD NOT BE USED WITHOUT WRITTEN PERMISSION

DIMENSION UNITS mm	SCALE 1:1	CURRENT REV DESC:			
GENERAL TOLERANCES (UNLESS SPECIFIED)					
ANGULAR TOL	± °	EC NO: 625331	6MM CST FEMALE CRIMP TERMINAL PRODUCT CUSTOMER DRAWING		
4 PLACES	±	DRWN: TOMLU 2019/10/23			
3 PLACES	±	CHK'D: BPISZCZOR 2019/10/29	DOCUMENT NUMBER: 2046080000-SD DOC TYPE: PSD DOC PART: 000 REVISION: A1		
2 PLACES	± 0.15	APPR: BPISZCZOR 2019/10/29			
1 PLACE	± 0.25	INITIAL REVISION:	MATERIAL NUMBER: 204608 CUSTOMER:		
0 PLACES	±	DRWN: TOMLU 2019/03/14			
DRAFT WHERE APPLICABLE MUST REMAIN WITHIN DIMENSIONS		APPR: BPISZCZOR 2019/08/02	SHEET NUMBER: 2 OF 2		
THIRD ANGLE PROJECTION		DRAWING: D-SIZE SERIES: 204608			