

4

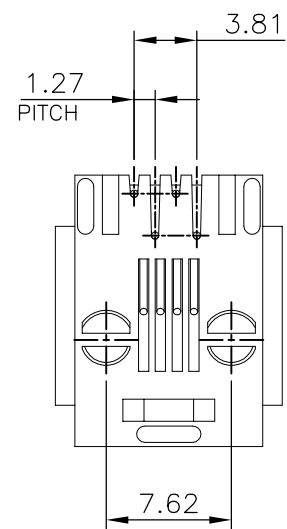
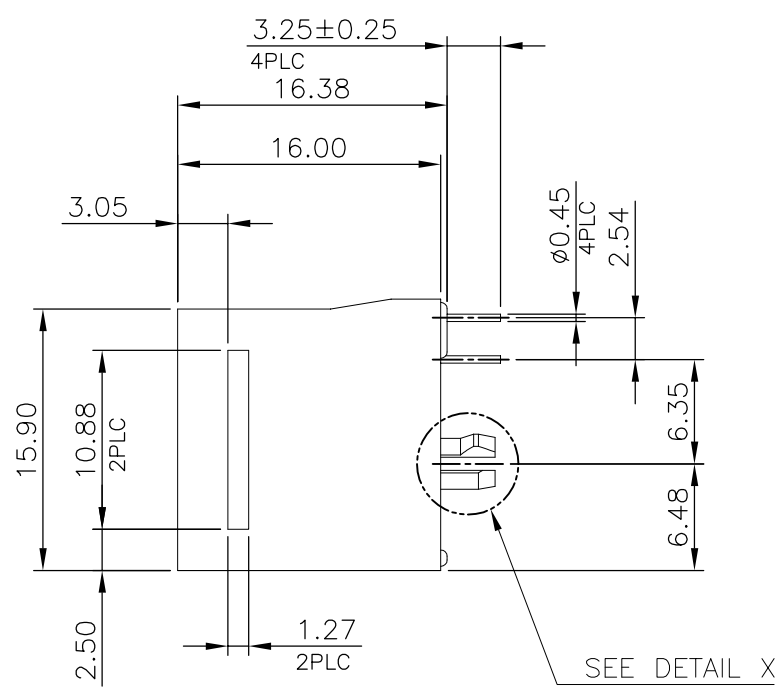
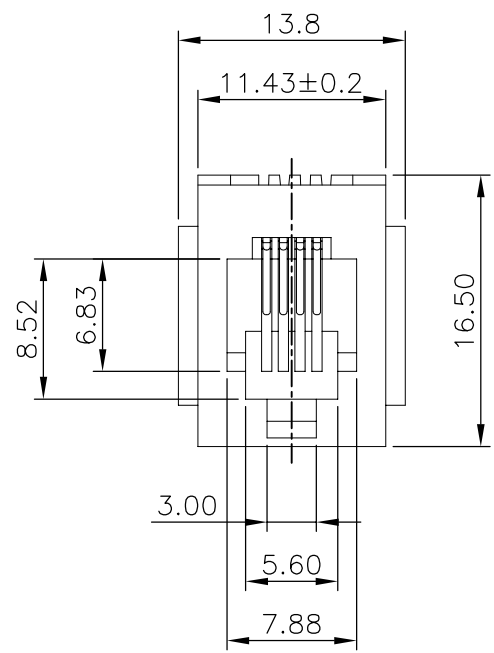
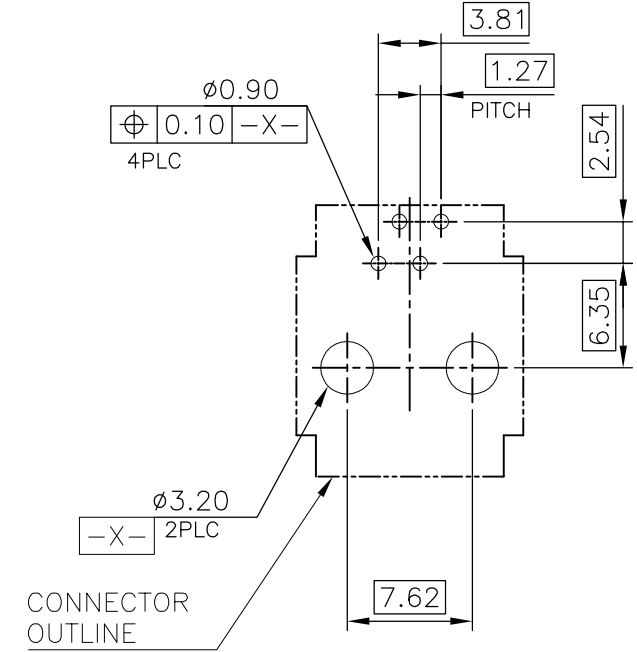
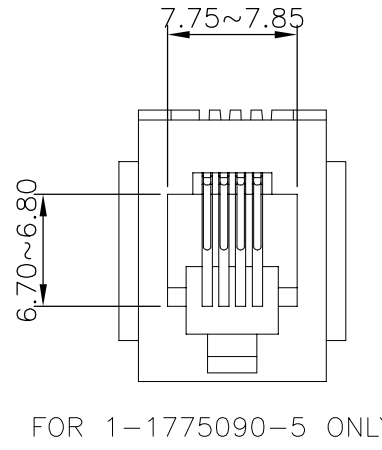
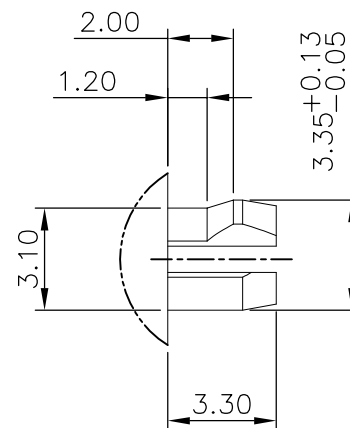
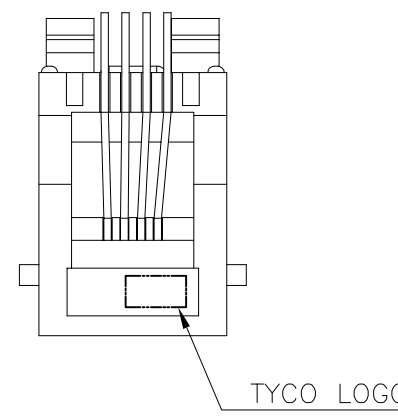
3

2

1

THIS DRAWING IS UNPUBLISHED. RELEASED FOR PUBLICATION  
 © COPYRIGHT 2011 BY TYCO ELECTRONICS CORPORATION. ALL RIGHTS RESERVED.

LOC	DIST	REVISIONS					
DW		P	LTR	DESCRIPTION	DATE	DWN	APVD
		B4		ECO-14-012616	30DEC2014	LL	SH



OBSOLETE	PA46 ④	0.76um[30u"]	1-1775090-5
		1.27um[50u"]	1-1775090-4
		0.76um[30u"]	1-1775090-3
		0.38um[15u"]	1-1775090-2
		0.15um[6u"]	1-1775090-1
OBSOLETE	PBT ③	1.27um[50u"]	1-1775090-4
		0.76um[30u"]	1775090-3
		0.38um[15u"]	1-1775090-2
		0.15um[6u"]	1-1775090-1
	HOUSING MATERIAL	MIN. GOLD THICKNESS	PART NUMBER

- NOTES:
- MATERIAL:
    - HOUSING: THERMOPLASTIC (SEE TABLE) WITH 30% GF, UL94V-0, COLOR: BLACK.
    - CONTACT: PHOSPHOR BRONZE.
  - FINISH:
    - CONTACT: (SEE TABLE) GOLD PLATED ON ALL CONTACTS, 1.27um [50u"] MIN. NICKEL UNDERPLATED OVERALL.
- ③ WAVE SOLDER CAPABLE TO 240°C PER 109-202, CONDITION A.  
 ④ REFLOW SOLDER CAPABLE TO 260°C PER TEC-109-201, CONDITION B.

THIS DRAWING IS A CONTROLLED DOCUMENT.		DWN	O. HU	08DEC2006	 TE Connectivity
		CHK	S. HOU	08DEC2006	
		APVD	W.J. KE	08DEC2006	
		PRODUCT SPEC			
DIMENSIONS: mm		TOLERANCES UNLESS OTHERWISE SPECIFIED:			NAME
		0 PLC ± - 1 PLC ± 0.3 2 PLC ± 0.2 3 PLC ± 0.15 4 PLC ± - ANGLES ± 3'			108-57535 APPLICATION SPEC
MATERIAL		FINISH			SIZE
SEE NOTE		SEE NOTE			A3
		WEIGHT			CAGE CODE
		2.88 GRAMS			00779
		CUSTOMER DRAWING			DRAWING NO
					C=1775090
		SCALE			RESTRICTED TO
		SHEET			1 OF 2
		REV			B4

4

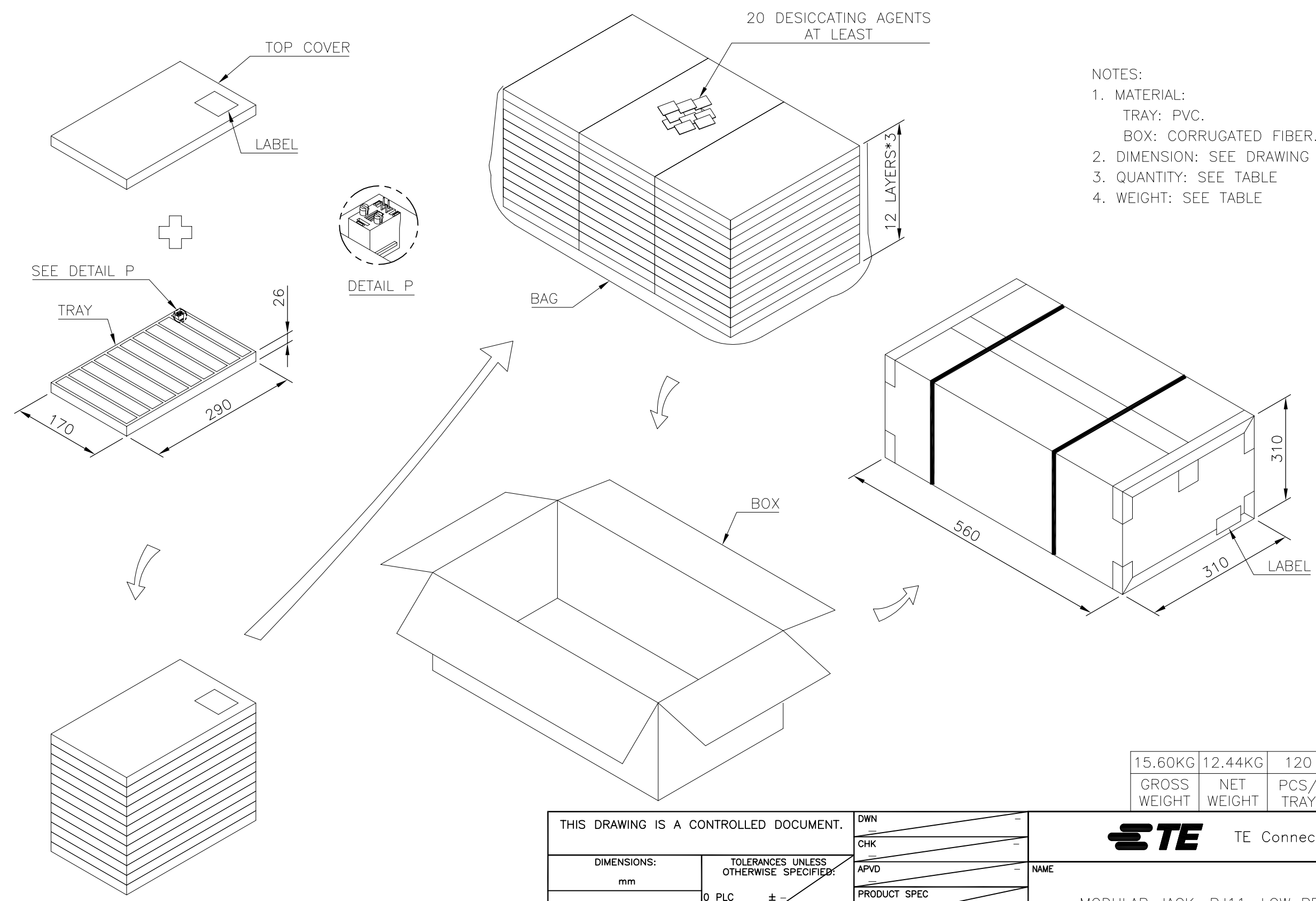
3

2

1

THIS DRAWING IS UNPUBLISHED. RELEASED FOR PUBLICATION  
 © COPYRIGHT 2011 BY TYCO ELECTRONICS CORPORATION. ALL RIGHTS RESERVED.

LOC	DIST	REVISIONS			
DW		P	LTR	DESCRIPTION	DATE
				SEE SHEET 1.	



NOTES:  
 1. MATERIAL:  
 TRAY: PVC.  
 BOX: CORRUGATED FIBER.  
 2. DIMENSION: SEE DRAWING  
 3. QUANTITY: SEE TABLE  
 4. WEIGHT: SEE TABLE

15.60KG	12.44KG	120	36	4320
GROSS WEIGHT	NET WEIGHT	PCS/ TRAY	TRAY/ BOX	PCS/ BOX

THIS DRAWING IS A CONTROLLED DOCUMENT.

DIMENSIONS: mm	TOLERANCES UNLESS OTHERWISE SPECIFIED: 0 PLC ± - 1 PLC ± 0.3 2 PLC ± 0.2 3 PLC ± 0.15 4 PLC ± - ANGLES ± 3'	DWN	TE Connectivity NAME MODULAR JACK, RJ11, LOW PROFILE, V/T
		CHK	
		APVD	
		PRODUCT SPEC	
MATERIAL	FINISH	APPLICATION SPEC	RESTRICTED TO
		WEIGHT	SIZE: A3 CAGE CODE: 00779 DRAWING NO: C=1775090
CUSTOMER DRAWING		SCALE	SHEET: 2 OF 2 REV: B4