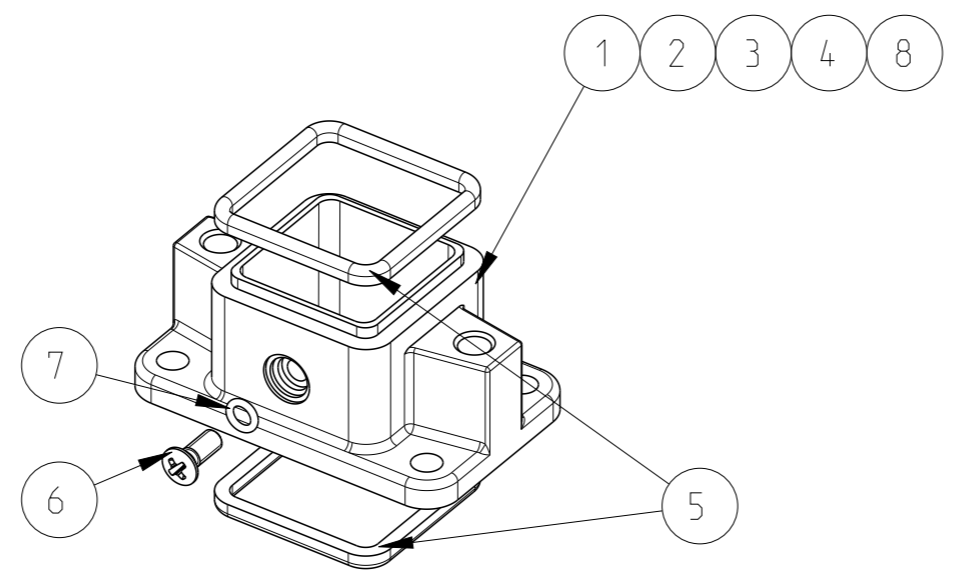
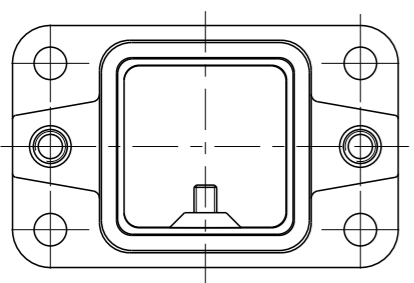
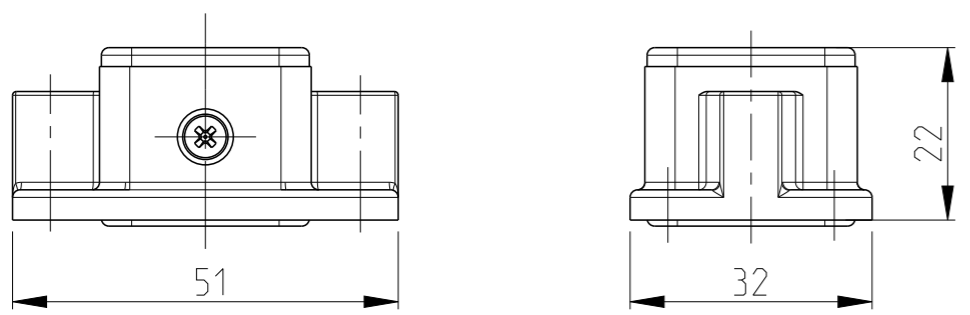


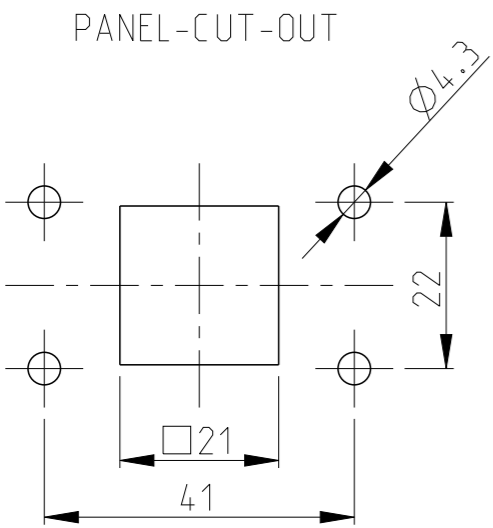
THIS DRAWING IS UNPUBLISHED. RELEASED FOR PUBLICATION 2009
 © COPYRIGHT 2009 BY - ALL RIGHTS RESERVED.

REVISIONS					
P	LTR	DESCRIPTION	DATE	DWN	APVD
	A11	ECR-10-017493	31JAN2011	SR	AR
	B	ECR-16-001977	04APR2016	GCM	JB
	C	ECR-16-014579	25APR2017	GCM	JB
	C1	ECR-21-123464	07MAR2022	RK	JB



Notes

- 1 SUITABLE HOUSINGS: SERIES EMV, SIZE 1
CUSTOMER DRAWING 1106402, 1102700, 1106200
- 2 STANDARDS: DIN EN 61984, DIN EN 60664-1
- 3 SUR TEC 650 CHROMIT AL TCP PASSIVATION
- 4 PN 0-3 WITHOUT PROFILE SEAL ON CONNECTING SIDE
- 5 TOOL: PHILLIPS SCREWDRIVER PH1.
- 6 VARNISH ON INSIDE AREA NOT NECESSARY
- 7 PACKAGING: 10 SETS IN A CARTON



PARTS LIST (PER ONE UNIT)						DESCRIPTION	MATERIAL	COLOR/SURFACE	NOTE	ITEM
1						BULKHEAD HOUSING	ALU	BLACK	WITHOUT/ LOGO	8
1	1	1	1	1	1	O - RING	NBR	BLACK	3.0x1.0	7
1	1	1	1	1	1	SCREW COUNTERSUNK RAISED HEAD	STAINL. STEEL V2A	-	M3x8 PH1 DIN EN ISO 7047	6
2	1	2	2	2	2	PROFILE SEAL	FKM	BLACK	SERIES EMV / HIP	5
	1	1	-	-	-	BULKHEAD HOUSING	ALU	BLACK, SEE NOTE 3	SERIES EMV	4
	-	-	1	-	-	BULKHEAD HOUSING	ALU	GREY	SERIES EMV	3
	-	-	-	1	-	BULKHEAD HOUSING	ALU	WITHOUT VARNISH	SERIES EMV	2
	-	-	-	-	1	BULKHEAD HOUSING	ALU	SILVER, SEE NOTE 3	SERIES EMV	1
0-5	0-3	4-5	3-5	0-2	0-1					
PN/QTY										

OBSOLETE	0-1102703-3	EMV-K.3/4.AG-S0
	4-1102703-5	EMV-K.3/4.AG
	3-1102703-5	EMV.3/4.AG
OBSOLETE	0-1102703-2	EMV.3/4.AG
	0-1102703-1	EMV-K.3/4.AG
	PART NO.	ORDERING TEXT

THIS DRAWING IS A CONTROLLED DOCUMENT.

DIMENSIONS:	TOLERANCES UNLESS OTHERWISE SPECIFIED:
mm	
	0 PLC ±
	1 PLC ±
	2 PLC ±
	3 PLC ±
	4 PLC ±
ANGLES	±1°
MATERIAL	FINISH
-	-

DWN	V.GLUMM	18AUG2009
CHK	H.Braun	18AUG2009
APVD	T.Schnurpfeil	18AUG2009
PRODUCT SPEC	-	-
APPLICATION SPEC	-	-
WEIGHT	-	-



NAME				BULKHEAD HOUSING ASS'Y, BOTTOM ENTRY	
				SERIES EMV, SIZE 1	
SIZE	CAGE CODE	DRAWING NO	RESTRICTED TO		
A3	00779	C-1102703			
CUSTOMER DRAWING			SCALE	SHEET	REV
			1:1	1 OF 1	C1