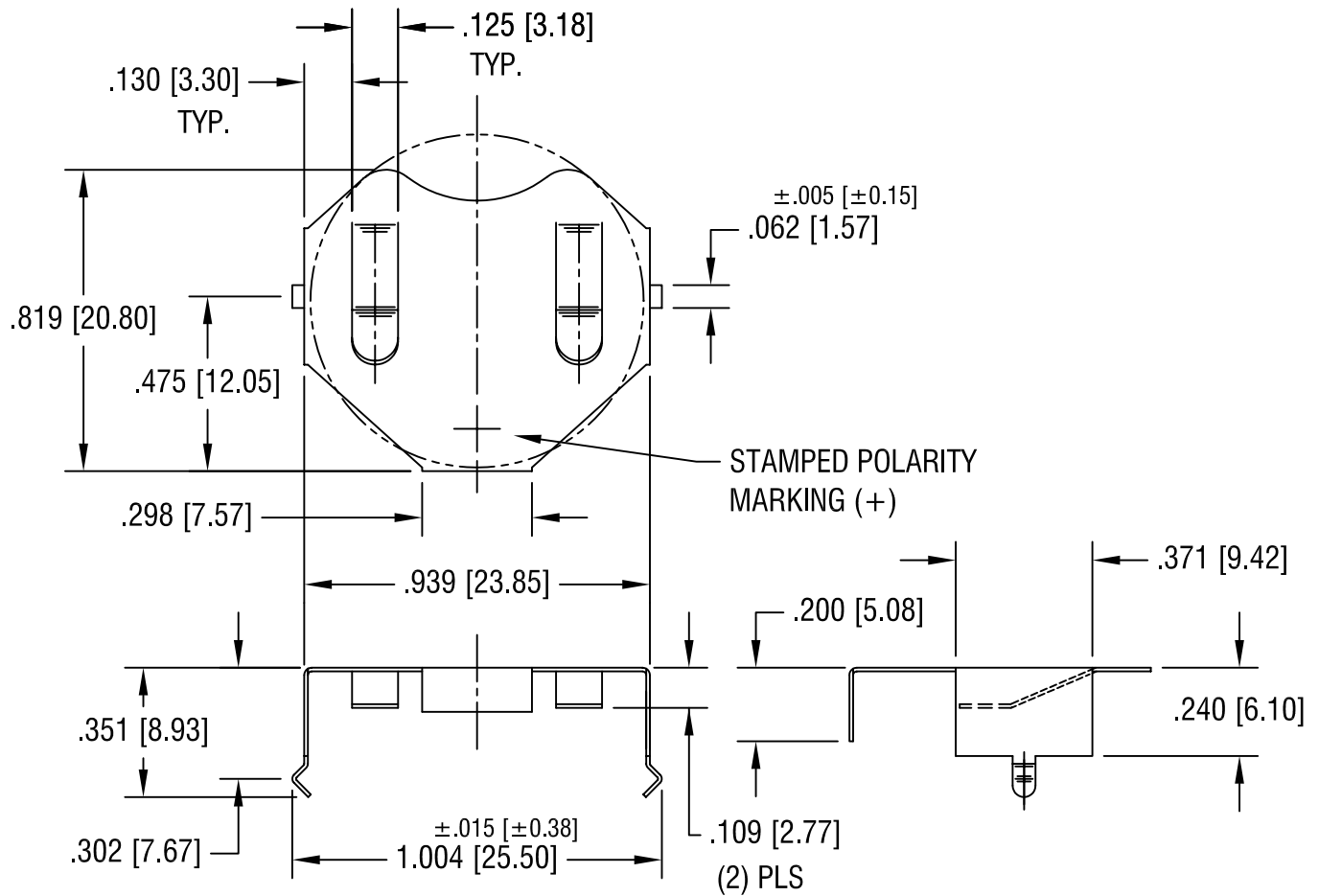
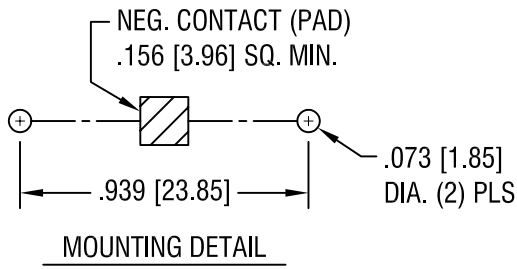


THIS DOCUMENT IS THE PROPERTY OF
KEYSTONE ELECTRONICS CORP. AND
SHALL NOT BE REPRODUCED, DISTRIBUTED
OR USED AS A BASIS FOR MANUFACTURE
WITHOUT PRIOR WRITTEN PERMISSION
FROM KEYSTONE ELECTRONICS CORP.



KEYSTONE ELECTRONICS CORP.

ASTORIA, N.Y. 11105-2017

PART NAME

2354 PC COIN CELL CLIP

MATERIAL

.010 [0.25] TH'K PHOSPHOR BRONZE

FINISH

TIN NICKEL PLATE

DRN BY

BOONE

DATE

9.11.00

APP'D

LN

SCALE

2X

9.22.06

CHANGE AS PER ECN 06-060

B

TOLERANCES INCH [MM]

DECIMAL ±.010 [±0.25]

ANGULAR ± 1°

UNLESS OTHERWISE SPECIFIED

CODE

C

DWG NO.

3011

DATE

DESCRIPTION

REV.