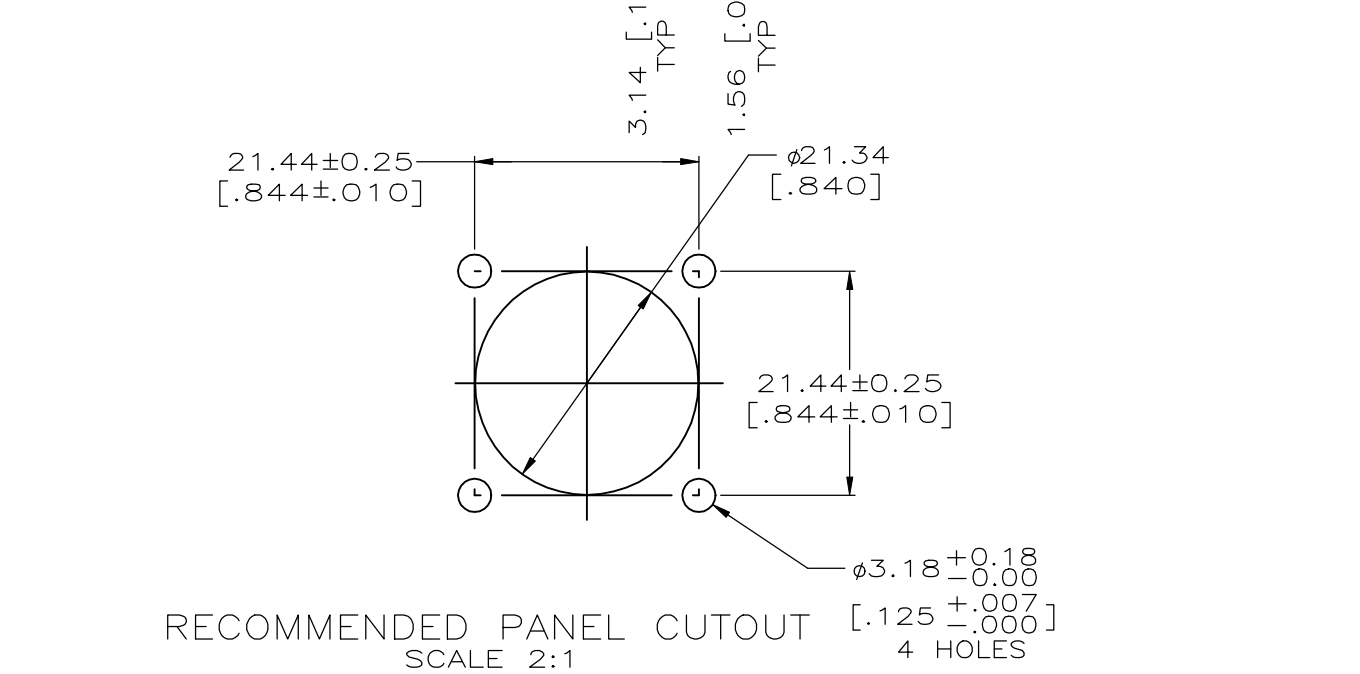
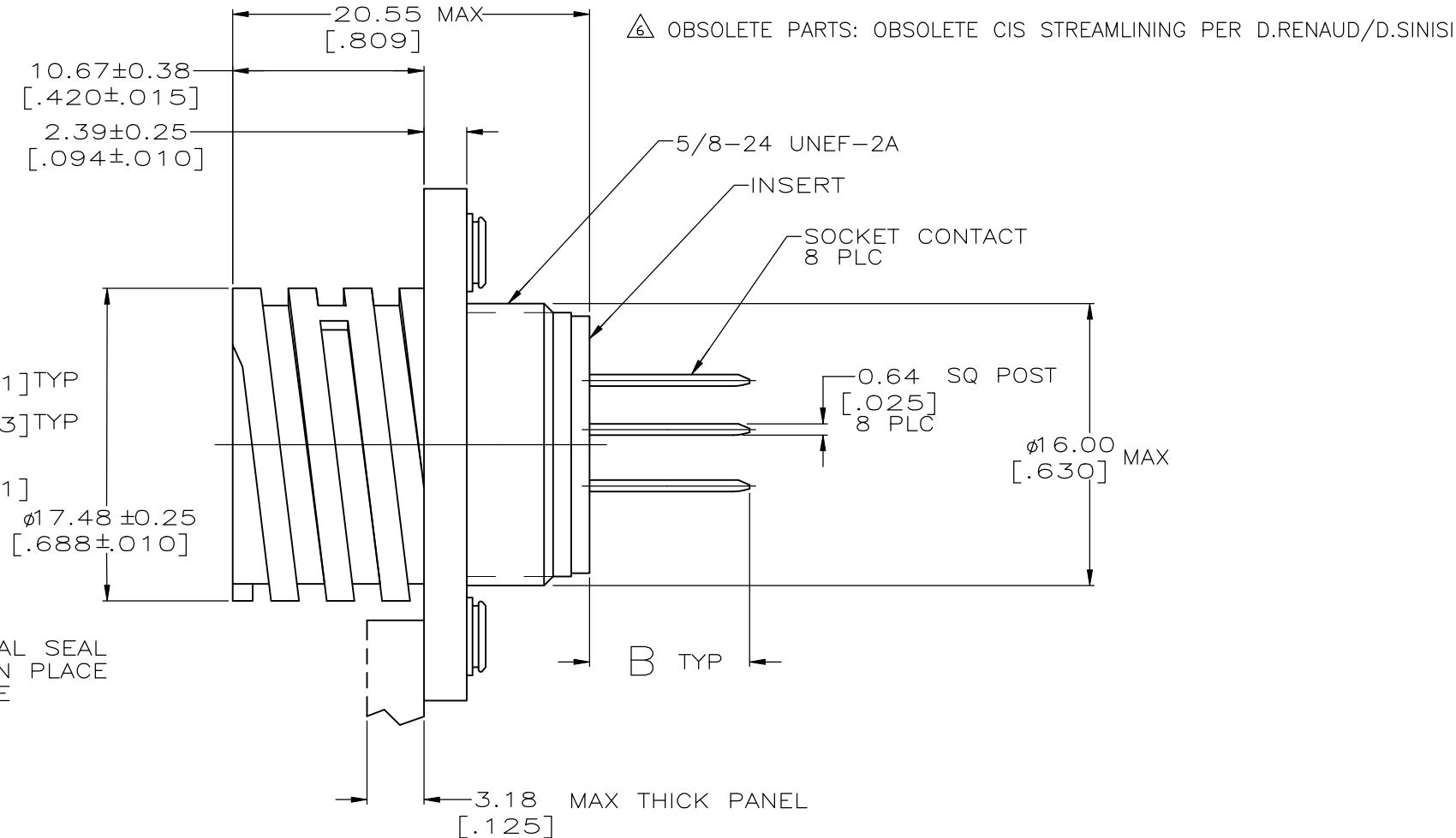
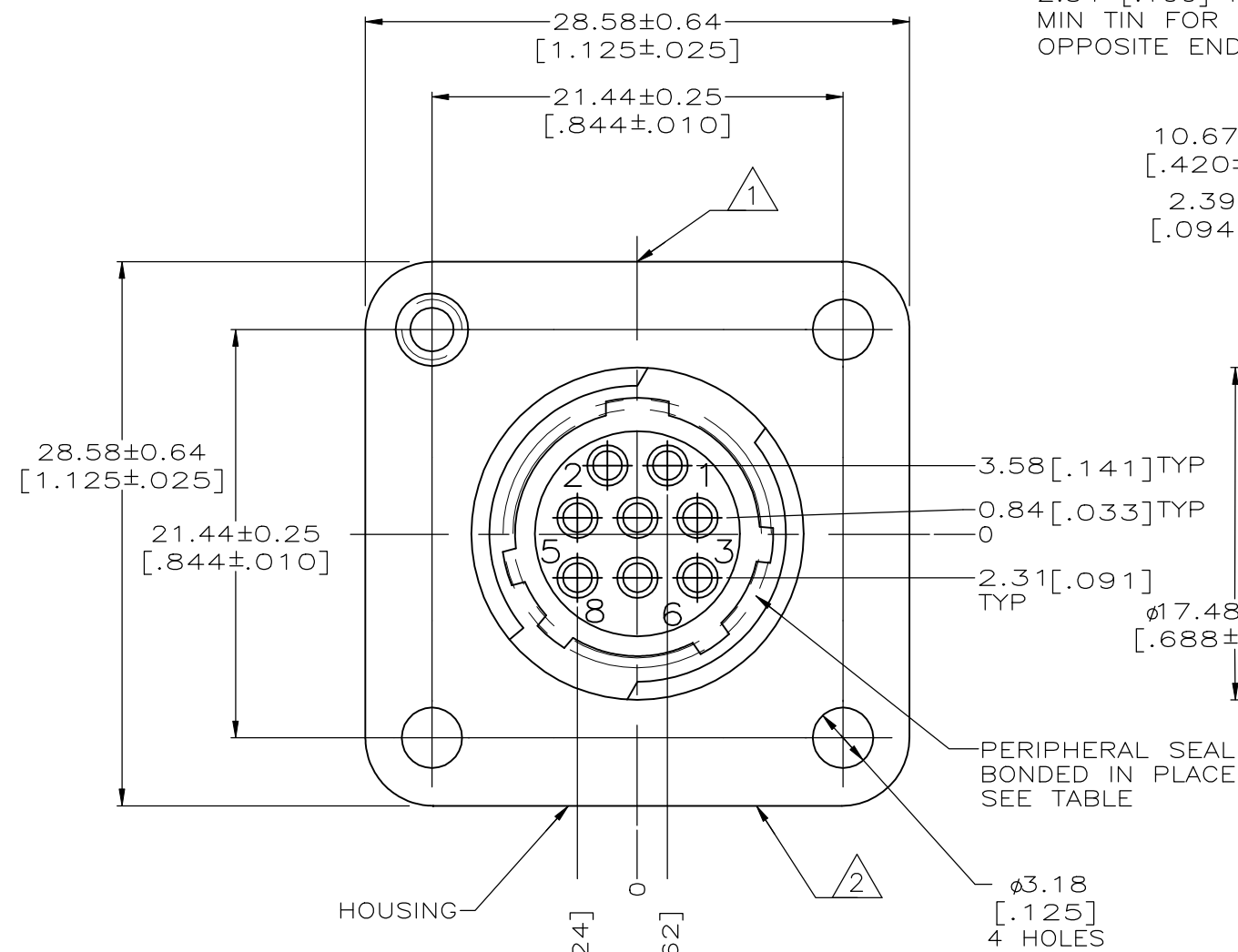


THIS DRAWING IS UNPUBLISHED. RELEASED FOR PUBLICATION ALL RIGHTS RESERVED.

REVISIONS				
P	LTR	DESCRIPTION	DATE	APVD
	H1	REVISED PER ECO-09-021510	11SEP09	KK AEG
	J	REVISED PER ECO-17-004657	05APR2017	RS MZ
	K	REVISED PER ECO-19-001927	07FEB2019	RS MZ

- 1 AMP MOLDED ON THIS SURFACE.
- 2 PART NUMBER AND DATE CODE MARKED ON THIS SURFACE.
- 3 NYLON, GLASS FILLED, FLAME RETARDANT, BLACK.
- 4 0.76um [.000030] MIN GOLD FOR A LENGTH OF 2.54 [.100] MIN FROM MATING END, 2.54um [.000100] MIN TIN-LEAD FOR A LENGTH OF 9.70 [.382] MIN FROM OPPOSITE END, BOTH OVER 1.27um [.000050] MIN NICKEL.
- 5 0.76um [.000030] MIN GOLD FOR A LENGTH OF 2.54 [.100] MIN FROM MATING END, 2.54um [.000100] MIN TIN FOR A LENGTH OF 9.70 [.382] MIN FROM OPPOSITE END, BOTH OVER 1.27um [.000050] MIN NICKEL.



REV	DESCRIPTION	CONTACT FINISH	PERIPHERAL SEAL	THREADED INSERT	DIM B	PART NUMBER
5		NO	NO		8.94±0.76 [.352±.030]	1-208657-1
5		NO	YES		14.58±0.76 [.574±.030]	1-208657-0
5	OBSOLETE	NO	NO		12.17±0.76 [.479±.030]	208657-9
4	OBSOLETE	NO	NO		12.17±0.76 [.479±.030]	208657-8
4	OBSOLETE	YES	YES		14.58±0.76 [.574±.030]	208657-7
4	OBSOLETE	NO	NO		8.94±0.76 [.352±.030]	208657-6
4		NO	YES		14.58±0.76 [.574±.030]	208657-5
4	OBSOLETE	NO	YES			208657-4
4	OBSOLETE	NO	NO			208657-3
4	OBSOLETE	NO	NO		8.94±0.76 [.352±.030]	208657-2
4		NO	NO		8.94±0.76 [.352±.030]	208657-1

THIS DRAWING IS A CONTROLLED DOCUMENT.

DWN: L. SIPE 05/16/90	 TE Connectivity
CHK: J. McCLINTON 5/30/90	
APVD: M. KAPEZYNSKI 5/30/90	NAME: M. KAPEZYNSKI
PRODUCT SPEC: 108-10024	
APPLICATION SPEC: -	
WEIGHT: -	SIZE: A2
CAGE CODE: 00779	DRAWING NO: C=208657
CUSTOMER DRAWING	RESTRICTED TO: -
SCALE: 4:1	SHEET: 1 OF 1
REV: K	