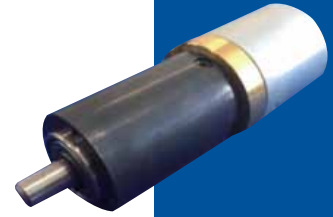


Minebea DIX36 GEARED MOTOR

NEW

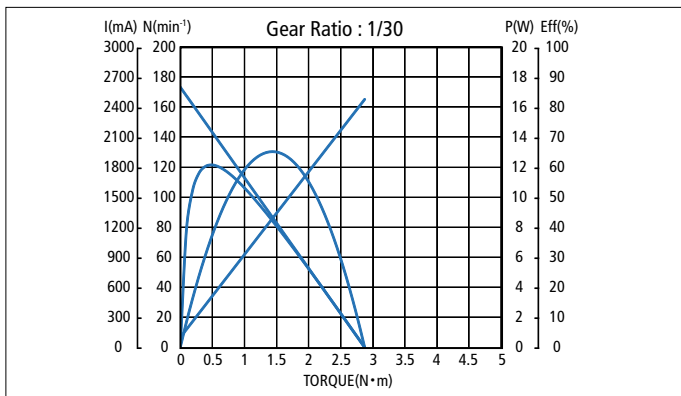


Ratio ^{※ 1}	Gear Box				Total Length L1+motor (mm)	Rated Voltage (V)	No Load		Rated Load			Max Rated Load torque ^{※ 2} (mN·m)	Max Instant Torque ^{※ 3} (mN·m)
	Type	Material	Step	Length L1 (mm)			Speed (min ⁻¹)	Current (mA)	Torque (mN·m)	Speed (min ⁻¹)	Current (mA)		
1/25	Spur	Metal	2	23	64	24	208	100	162	194	260	196	196
1/30	Spur	Metal	2	23	64	24	173	100	194	162	260	196	245
1/50	Spur	Metal	3	25	66	24	104	100	292	97	260	294	392
1/60	Spur	Metal	3	25	66	24	87	100	294	82	235	294	441
1/84	Planetary	Metal	3	45	86	24	62	100	326	58	235	1000	1500

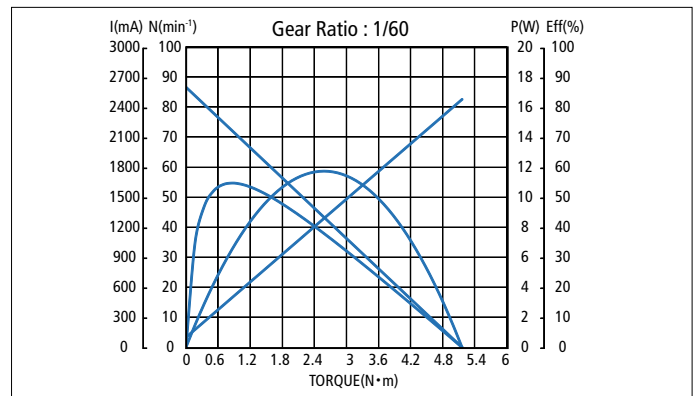
※ 1 : This is a typical example. Other gear ratios are also available.

※ 2, ※ 3 : The notation is the value of the standard type. The torque exceeding the notation can be coped by changing gear material or gear thickness.

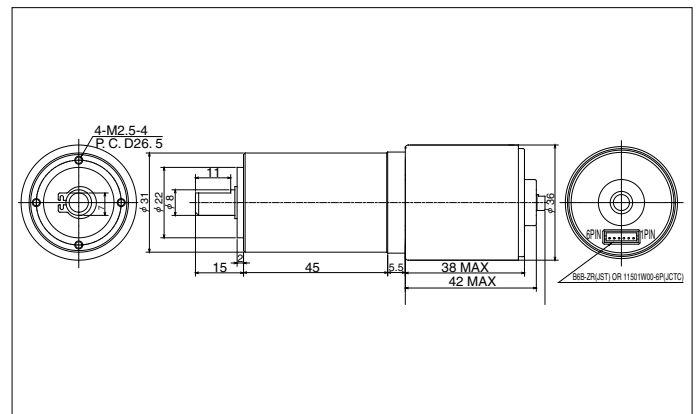
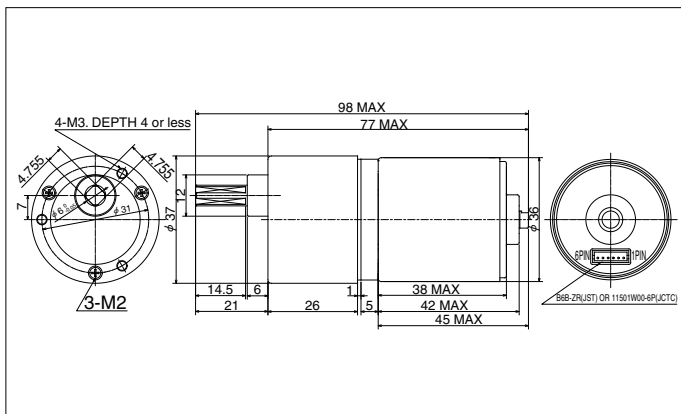
Major Characteristic Parameters



This characteristic is 7W motor, please contact us about 15W.



Outside Dimension (Reference)



Please contact our sales for detail specification & order lot QTY. (All custom product by customer's requirement)