

MATERIAL AND FINISH:
 Insulator: Nylon 66, black, UL-94V-0 rated
 Contacts: Copper Alloy, Tin plated

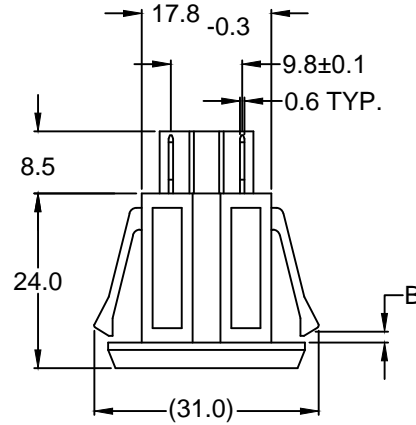
MECHANICAL SPECIFICATIONS:
 Insertion force: 5KG max.
 Withdrawal force: 1.5KG min.
 Life test: 5,000 cycles min. of insertion and withdrawal.

ELECTRICAL SPECIFICATIONS:
 Rated current: 15A
 Rated voltage: 125VAC
 Insulation resistance: 1000 Mohm min. @ 500VDC
 Dielectric withstanding voltage: 1500VAC for one minute

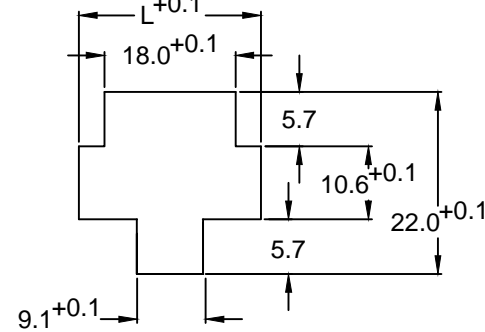
ENVIRONMENTAL:
 Operating temperature: -45°C ~ +80°C



RoHS
COMPLIANT

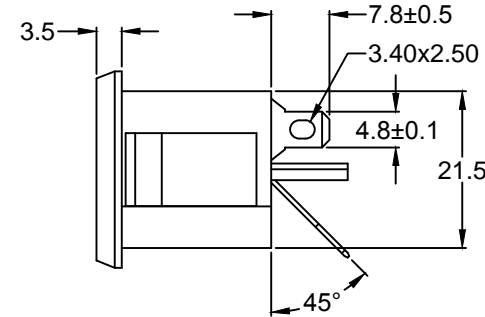
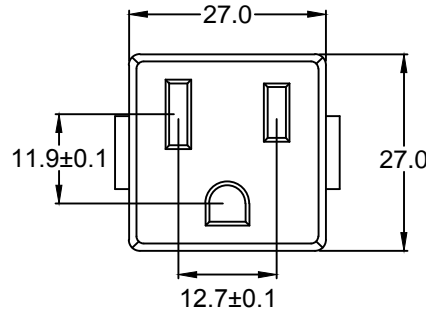


**RECOMMENDED
 PANEL CUTOUT**



PANEL THICKNESS PD-15-1		L
0.8	24.0	
1.0	24.0	
1.2	24.5	
1.6	24.5	
2.0	25	
2.5	25	
PANEL THICKNESS PD-15-12		L
2.5	25.0	
3.0	25.5	
3.5	28.5	

P/N	B
PD-15-1	1.5
PD-15-12	3.0



REVISONS		CHNG	CHK	APPR
REV	DATE	CHANGE	PB	SS
A	12/22/99	REVISED DRAWING	PB	SS
B	10/31/01	REVISED / UPDATED	QC	TD
C	1/17/03	ADD OTTING TEMP.	TD	PB
D	8/27/03	CHNG PANEL THICKNESS/CUTOUT	PB	DF
E	5/14/08	ADD PANEL CUTOUT DIM. 5.7	PB	DF
F	8/17/11	WAS UL-94V-2	PB	PB

TOLERANCE UNLESS OTHERWISE SPECIFIED	
X	± 1
X.X	± 0.4
X.XX	± 0.20

DRAWN BY	SLS	DATE:	8/12/98
CHECK BY	JD	DATE:	8/12/98
APPR BY	SLS	DATE:	2/18/99

Power Dynamics, Inc.
 Phone: 973 560-0019 Whippany, New Jersey Fax: 973 560-0076
 PART: NORTH AMERICAN NEMA 5-15R; SINGLE
 SOCKET, QC CONNECT TERMINAL

PD-15-1X		SHEET 1 of 1
PART #:	ALL DIMENSIONS FOR REFERENCE ONLY DIMENSIONS ARE IN MILLIMETERS	
SIZE: A	SCALE: NTS	REV: F