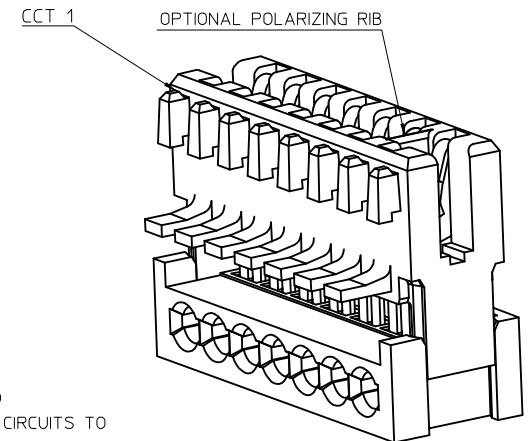
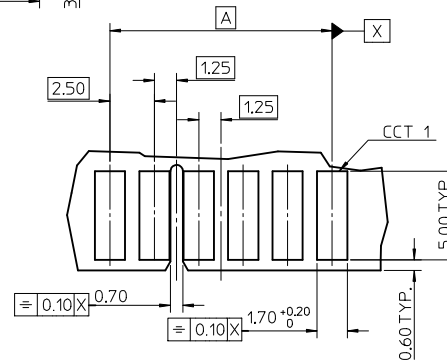
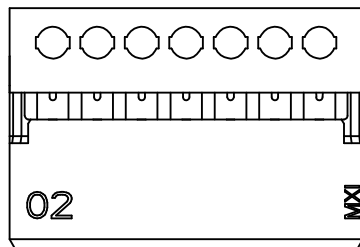
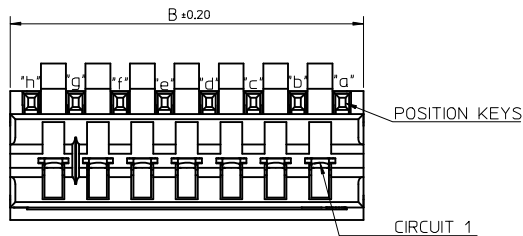


| CCT | *A*  | *B*    |
|-----|------|--------|
| 3   | 5.0  | 9.875  |
| 4   | 7.5  | 12.375 |
| 5   | 10.0 | 14.875 |
| 6   | 12.5 | 17.375 |
| 7   | 15.0 | 19.875 |
| 8   | 17.5 | 22.375 |
| 9   | 20.0 | 24.875 |
| 10  | 22.5 | 27.375 |
| 11  | 25.0 | 29.875 |
| 12  | 27.5 | 32.375 |
| 13  | 30.0 | 34.875 |
| 14  | 32.5 | 37.375 |
| 15  | 35.0 | 39.875 |
| 16  | 37.5 | 42.375 |
| 17  | 40.0 | 44.875 |
| 18  | 42.5 | 47.375 |
| 19  | 45.0 | 49.875 |
| 20  | 47.5 | 52.375 |



- PCB LAYOUT FOR 6CCT CONNECTOR (WITH OPTIONAL POSITIONAL RIB SLOT BETWEEN CCT 4 & CCT 5)
- THE POSITIONAL RIB SLOT CAN BE PLACED BETWEEN ANY TWO CIRCUITS TO SUIT MATING CONNECTOR. ABOVE SKETCH SHOWS A PARTICULAR EXAMPLE
- RECOMMENDED PCB THICKNESS 1.5±0.14mm

NOTES:

- REFER TO PRODUCT SPECIFICATION: PS-92336-001
- MATERIAL: HOUSING - PA 6, UL94-V2, COLOUR: NATURAL (WHITE)  
TERMINAL: COPPER ALLOY 0.25 REF. THICK PLATING - Sn
- COLOUR STRIPE IS OPTIONAL, AVAILABLE IN THE FOLLOWING COLOURS: RED, GREEN, BLUE & BLACK (BLACK SPECIFIES CUSTOMER SPECIFIC CONFIGURATION)
- REFER TO PACKAGING SPECIFICATION: PK-90871-001
- REFER TO APPLICATION SPECIFICATION: AS-99033-0008)

|   |                               |                                       |         |                            |                    |   |                        |                        |  |  |  |
|---|-------------------------------|---------------------------------------|---------|----------------------------|--------------------|---|------------------------|------------------------|--|--|--|
| ADDED NEW PART NUMBERS<br>EC NO: IFC2014-1184<br>DRAWN: MONAHAN 2014/01/07<br>CHKD: CHIKO<br>APPR: MSHANAHAN 2014/09/10 | QUALITY SYMBOLS<br>▽=0<br>▽=0 | GENERAL TOLERANCES (UNLESS SPECIFIED) |         | DIMENSION STYLE<br>MM ONLY |                    | SCALE<br>5:1  | DESIGN UNITS<br>METRIC | THIRD ANGLE PROJECTION |  |  |  |
|   |                               | 4 PLACES ± --- ± ---                  | mm INCH | DRAWN BY<br>TITOURISH      | DATE<br>2007/09/21 | TITLE<br>R 2.5 SIGNAL ASSY  |                        |                        |  |  |  |
|   |                               | 3 PLACES ± 0.05 ± ---                 |         | CHECKED BY<br>BRUTTLE      | DATE<br>2007/09/21 | MATERIAL NO.<br>SD-92336-001  |                        |                        |  |  |  |
|   |                               | 2 PLACES ± 0.10 ± ---                 |         | APPROVED BY<br>JWALLACE    | DATE<br>2012/01/19 | DOCUMENT NO.<br>SD-92336-001  |                        |                        |  |  |  |
|   |                               | ANGULAR ±1/2°                         |         | SEE SHEETS 2-8             |                    | THIS DRAWING CONTAINS INFORMATION THAT IS PROPRIETARY TO MOLEX INCORPORATED AND SHOULD NOT BE USED WITHOUT WRITTEN PERMISSION |                        |                        |  |  |  |
| DRAFT WHERE APPLICABLE MUST REMAIN WITHIN DIMENSIONS  |                               |                                       |         |                            |                    | SHEET NO.<br>1 OF 8   |                        |                        |  |  |  |

### 3 CIRCUIT

| MOLEX PART NO. | MOLEX HOUSING NO. | TERMINAL VOID POSITION | REMOVED POSITION KEYS | CONFIGURATION (SEE NOTES) | POLARIZING RIB             | COLOUR STRIPE |
|----------------|-------------------|------------------------|-----------------------|---------------------------|----------------------------|---------------|
| 92336-0001     | 92335-0003        | NONE                   | NONE                  |                           | NONE                       | NONE          |
| 92336-0002     | 92335-0003        | NONE                   | a d                   |                           | NONE                       | RED           |
| 92336-0013     | 92335-0003        | NONE                   | a                     |                           | NONE                       | NONE          |
| 92336-0014     | 92335-0003        | NONE                   | b                     |                           | NONE                       | NONE          |
| 92336-0015     | 92335-0003        | NONE                   | c                     |                           | NONE                       | NONE          |
| 92336-0016     | 92335-0003        | NONE                   | d                     |                           | NONE                       | NONE          |
| 92336-0017     | 92335-0003        | NONE                   | b d                   |                           | NONE                       | NONE          |
| 92336-0018     | 92335-0003        | NONE                   | a c                   |                           | NONE                       | NONE          |
| 92336-0019     | 92335-0003        | NONE                   | a d                   |                           | NONE                       | NONE          |
| 92336-0020     | 92335-0003        | NONE                   | a b                   |                           | NONE                       | NONE          |
| 92336-0021     | 92335-0003        | NONE                   | b c                   |                           | NONE                       | NONE          |
| 92336-0022     | 92335-0003        | NONE                   | c d                   |                           | NONE                       | NONE          |
| 92336-0023     | 92335-0003        | <b>CKT 2</b>           | b d                   |                           | NONE                       | NONE          |
| 92336-0024     | 92335-0003        | <b>CKT 3</b>           | c                     |                           | NONE                       | BLUE          |
| 92336-0034     | 92335-0103        | NONE                   | NONE                  |                           | <b>BETWEEN CKT 1&amp;2</b> | NONE          |
| 92336-0041     | 92335-0203        | NONE                   | NONE                  |                           | <b>BETWEEN CKT 2&amp;3</b> | NONE          |
| 92336-0042     | 92335-0003        | <b>CKT 1</b>           | NONE                  |                           | NONE                       | NONE          |
| 92336-0043     | 92335-0003        | <b>CKT 1</b>           | c                     |                           | NONE                       | NONE          |
| 92336-0044     | 92335-0003        | NONE                   | b d                   |                           | NONE                       | BLUE          |
| 92336-0045     | 92335-0003        | NONE                   | b                     |                           | NONE                       | BLUE          |
| 92336-0046     | 92335-0003        | <b>CKT 1</b>           | d                     |                           | NONE                       | NONE          |
| 92336-0047     | 92335-0203        | NONE                   | a d                   |                           | <b>BETWEEN CKT 2&amp;3</b> | BLUE          |

### 3 CIRCUIT

| MOLEX PART NO. | MOLEX HOUSING NO. | TERMINAL VOID POSITION | REMOVED POSITION KEYS | CONFIGURATION (SEE NOTES) | POLARIZING RIB             | COLOUR STRIPE |
|----------------|-------------------|------------------------|-----------------------|---------------------------|----------------------------|---------------|
| 92336-0048     | 92335-0003        | NONE                   | NONE                  |                           | NONE                       | BLUE          |
| 92336-0049     | 92335-0203        | NONE                   | a d                   |                           | <b>BETWEEN CKT 2&amp;3</b> | NONE          |
| 92336-0050     | 92335-0103        | NONE                   | a d                   |                           | <b>BETWEEN CKT 1&amp;2</b> | NONE          |
| 92336-0051     | 92335-0003        | <b>CKT 3</b>           | NONE                  |                           | NONE                       | NONE          |
| 92336-0052     | 92335-0203        | <b>CKT 1</b>           | NONE                  |                           | <b>BETWEEN CKT 2&amp;3</b> | NONE          |
| 92336-0053     | 92335-0003        | <b>CKT 2</b>           | NONE                  |                           | NONE                       | NONE          |
| 92336-0054     | 92335-0003        | NONE                   | ALL                   |                           | NONE                       | NONE          |

- NOTES
- + DENOTES TERMINAL VOIDED POSITION  
 ● DENOTES TERMINAL LOADED POSITION  
 I DENOTES POLARIZING RIB POSITION
  - HOUSING NUMBER FOR MOLEX REFERENCE ONLY

|   |                       |                                       |   |                   |              |                        |
|---|-----------------------|---------------------------------------|---|-------------------|--------------|------------------------|
| <b>SEE SHEET 1</b><br>ELEC NO: 1P02014-1184<br>DRAWN BY: DRWINCKOMAHAN<br>CHKD: APPR: SHAWHAN<br>2014/01/10<br>2014/09/10 | QUALITY SYMBOLS       | GENERAL TOLERANCES (UNLESS SPECIFIED) | DIMENSION STYLE   | SCALE             | DESIGN UNITS | THIRD ANGLE PROJECTION |
|   | ▽=0                   | mm INCH                               | MM ONLY   | 1:1               | METRIC       |                        |
|   | ▽=0                   | 4 PLACES ± --- ± ---                  | DRAWN BY DATE   | TITLE             |              |                        |
|   |                       | 3 PLACES ± 0.05 ± ---                 | TTOURISH 2007/09/21   | R 2.5 SIGNAL ASSY |              |                        |
|   | 2 PLACES ± 0.10 ± --- | CHECKED BY DATE                       | MOLEX INCORPORATED  |                   |              |                        |
|   | 1 PLACE ± 0.20 ± ---  | BRUTTLE 2007/09/21                    | SD-92336-001  |                   |              |                        |
|   | ANGULAR ± 1/2°        | APPROVED BY DATE                      | SHEET NO. 2 OF 8  |                   |              |                        |
|   |                       | JWALLACE 2012/01/19                   | THIS DRAWING CONTAINS INFORMATION THAT IS PROPRIETARY TO MOLEX INCORPORATED AND SHOULD NOT BE USED WITHOUT WRITTEN PERMISSION |                   |              |                        |

### 4 CIRCUIT

| MOLEX PART NO. | MOLEX HOUSING NO. | TERMINAL VOID POSITION | REMOVED POSITION KEYS | CONFIGURATION (SEE NOTES) | POLARIZING RIB             | COLOUR STRIPE |
|----------------|-------------------|------------------------|-----------------------|---------------------------|----------------------------|---------------|
| 92336-0501     | 92335-0004        | NONE                   | NONE                  |                           | NONE                       | NONE          |
| 92336-0502     | 92335-0004        | NONE                   | d                     |                           | NONE                       | NONE          |
| 92336-0503     | 92335-0004        | NONE                   | a d                   |                           | NONE                       | NONE          |
| 92336-0504     | 92335-0004        | NONE                   | c e                   |                           | NONE                       | NONE          |
| 92336-0505     | 92335-0004        | NONE                   | a                     |                           | NONE                       | NONE          |
| 92336-0506     | 92335-0204        | NONE                   | NONE                  |                           | <b>BETWEEN CKT 2&amp;3</b> | NONE          |
| 92336-0538     | 92335-0004        | NONE                   | b                     |                           | NONE                       | NONE          |
| 92336-0530     | 92335-0004        | NONE                   | b c                   |                           | NONE                       | NONE          |
| 92336-0539     | 92335-0004        | NONE                   | a b                   |                           | NONE                       | NONE          |
| 92336-0540     | 92335-0004        | NONE                   | d e                   |                           | NONE                       | NONE          |
| 92336-0541     | 92335-0004        | NONE                   | ALL                   |                           | NONE                       | NONE          |
| 92336-0542     | 92335-0004        | NONE                   | a b e                 |                           | NONE                       | NONE          |
| 92336-0547     | 92335-0004        | NONE                   | b c                   |                           | NONE                       | <b>GREEN</b>  |
| 92336-0548     | 92335-0004        | NONE                   | c d                   |                           | NONE                       | <b>RED</b>    |
| 92336-0549     | 92335-0004        | NONE                   | a c e                 |                           | NONE                       | NONE          |
| 92336-0507     | 92335-0004        | <b>CKT 1</b>           | NONE                  |                           | NONE                       | NONE          |
| 92336-0543     | 92335-0304        | NONE                   | NONE                  |                           | <b>BETWEEN CKT 3&amp;4</b> | <b>RED</b>    |
| 92336-0544     | 92335-0204        | NONE                   | NONE                  |                           | <b>BETWEEN CKT 2&amp;3</b> | <b>BLUE</b>   |
| 92336-0545     | 92335-0004        | NONE                   | d                     |                           | NONE                       | <b>BLUE</b>   |
| 92336-0546     | 92335-0004        | NONE                   | b                     |                           | NONE                       | <b>RED</b>    |
| 92336-0551     | 92335-0204        | NONE                   | a e                   |                           | <b>BETWEEN CKT 2&amp;3</b> | <b>BLUE</b>   |
| 92336-0552     | 92335-0004        | NONE                   | b c d                 |                           | NONE                       | NONE          |
| 92336-0553     | 92335-0304        | NONE                   | NONE                  |                           | <b>BETWEEN CKT 3&amp;4</b> | NONE          |
| 92336-0554     | 92335-0104        | NONE                   | NONE                  |                           | <b>BETWEEN CKT 1&amp;2</b> | NONE          |

### 4 CIRCUIT

| MOLEX PART NO. | MOLEX HOUSING NO. | TERMINAL VOID POSITION | REMOVED POSITION KEYS | CONFIGURATION (SEE NOTES) | POLARIZING RIB | COLOUR STRIPE |
|----------------|-------------------|------------------------|-----------------------|---------------------------|----------------|---------------|
| 92336-0555     | 92335-0004        | <b>CCT3</b>            | a b e                 |                           | NONE           | <b>RED</b>    |

**NOTES**

- + DENOTES TERMINAL VOIDED POSITION
  - DENOTES TERMINAL LOADED POSITION
  - | DENOTES POLARIZING RIB POSITION
- HOUSING NUMBER FOR MOLEX REFERENCE ONLY

|   |  |  |                 |  |              |                        |  |
|---|--|--|-----------------|--|--------------|------------------------|--|
| SEE SHEET 1<br>ELEC NO: 1P62014-1184<br>DRAWN BY: DRWINKONWAHAN<br>CHKD: APPR: SHAMAHAN<br>DATE: 2014/01/07<br>DATE: 2014/09/10 | QUALITY SYMBOLS                                      | GENERAL TOLERANCES (UNLESS SPECIFIED)  | DIMENSION STYLE | SCALE  | DESIGN UNITS | THIRD ANGLE PROJECTION |  |
|   | $\nabla=0$<br>$\nabla=0$                             | mm    INCH<br>4 PLACES ± --- ± ---<br>3 PLACES ± 0.05 ± ---<br>2 PLACES ± 0.10 ± ---<br>1 PLACE ± 0.20 ± ---<br>ANGULAR ± 1/2° | M M ONLY        | DRAWN BY: T. TOURISH    DATE: 2007/09/21<br>CHECKED BY: BRUTTLE    DATE: 2007/09/21<br>APPROVED BY: J. WALLACE    DATE: 2012/01/19 | 1:1          | METRIC                 | TITLE: R 2.5 SIGNAL ASSY<br>MOLEX INCORPORATED |
|   | DRAFT WHERE APPLICABLE MUST REMAIN WITHIN DIMENSIONS | SEE CHARTS   | MATERIAL NO.    | DOCUMENT NO.   | SHEET NO.    |                        |  |
|   |  |  | SD-92336-001    |  | 3 OF 8       |                        |  |

THIS DRAWING CONTAINS INFORMATION THAT IS PROPRIETARY TO MOLEX INCORPORATED AND SHOULD NOT BE USED WITHOUT WRITTEN PERMISSION

# 5 CIRCUIT

| MOLEX PART NO. | MOLEX HOUSING NO. | TERMINAL VOID POSITION  | REMOVED POSITION KEYS | CONFIGURATION (SEE NOTES) | POLARIZING RIB             | COLOUR STRIPE | SIDE LATCH |
|----------------|-------------------|-------------------------|-----------------------|---------------------------|----------------------------|---------------|------------|
| 92336-1001     | 92335-0005        | NONE                    | NONE                  |                           | NONE                       | NONE          | NO         |
| 92336-1002     | 92335-0305        | NONE                    | ALL                   |                           | <b>BETWEEN CKT 3&amp;4</b> | NONE          | NO         |
| 92336-1003     | 92335-0405        | NONE                    | NONE                  |                           | <b>BETWEEN CKT 4&amp;5</b> | NONE          | NO         |
| 92336-1004     | 92335-0005        | NONE                    | c d                   |                           | NONE                       | NONE          | NO         |
| 92336-1005     | 92335-0005        | NONE                    | a                     |                           | NONE                       | NONE          | NO         |
| 92336-1006     | 92335-0005        | NONE                    | b                     |                           | NONE                       | NONE          | NO         |
| 92336-1007     | 92335-0005        | NONE                    | a b e f               |                           | NONE                       | NONE          | NO         |
| 92336-1008     | 92335-0205        | NONE                    | NONE                  |                           | <b>BETWEEN CKT 2&amp;3</b> | NONE          | NO         |
| 92336-1009     | 92335-0005        | <b>CCT 2, 3 &amp; 4</b> | NONE                  |                           | NONE                       | NONE          | NO         |
| 92336-1010     | 92335-0005        | <b>CCT 2</b>            | c                     |                           | NONE                       | NONE          | NO         |
| 92336-1011     | 92335-0005        | <b>CCT 2</b>            | d                     |                           | NONE                       | NONE          | NO         |
| 92336-1012     | 92335-0005        | <b>CCT 2</b>            | b                     |                           | NONE                       | NONE          | NO         |
| 92336-1013     | 92335-0005        | <b>CCT 2</b>            | a                     |                           | NONE                       | NONE          | NO         |
| 92336-1014     | 92335-0005        | NONE                    | b, c, d, e            |                           | NONE                       | NONE          | NO         |
| 92336-1015     | 92335-0305        | <b>CCT 2, 3 &amp; 4</b> | NONE                  |                           | <b>BETWEEN CKT 3&amp;4</b> | <b>RED</b>    | NO         |
| 92336-1016     | 92335-0105        | NONE                    | a f                   |                           | <b>BETWEEN CKT 1&amp;2</b> | <b>BLUE</b>   | NO         |
| 92336-1017     | 92335-0105        | <b>CCT 3</b>            | a f                   |                           | <b>BETWEEN CKT 1&amp;2</b> | <b>BLUE</b>   | NO         |
| 92336-1018     | 92335-0205        | NONE                    | a f                   |                           | <b>BETWEEN CKT 2&amp;3</b> | NONE          | NO         |
| 92336-1019     | 92335-0005        | NONE                    | a f                   |                           | NONE                       | NONE          | NO         |
| 92336-1020     | 92335-0005        | <b>CCT 2, 4</b>         | NONE                  |                           | NONE                       | NONE          | NO         |
| 92336-1021     | 92335-0005        | NONE                    | ALL                   |                           | NONE                       | NONE          | NO         |
| 92336-1023     | 92335-0105        | NONE                    | NONE                  |                           | <b>BETWEEN CKT 1&amp;2</b> | NONE          | NO         |
| 92336-1024     | 92335-0005        | NONE                    | c d e                 |                           | NONE                       | NONE          | NO         |
| 92336-1025     | 92335-0005        | <b>CCT 1, 2 &amp; 4</b> | NONE                  |                           | NONE                       | NONE          | NO         |

NOTES

- + DENOTES TERMINAL VOIDED POSITION  
 ● DENOTES TERMINAL LOADED POSITION  
 | DENOTES POLARIZING RIB POSITION
- HOUSING NUMBER FOR MOLEX REFERENCE ONLY

# 5 CIRCUIT

| MOLEX PART NO. | MOLEX HOUSING NO. | TERMINAL VOID POSITION | REMOVED POSITION KEYS | CONFIGURATION (SEE NOTES) | POLARIZING RIB             | COLOUR STRIPE | SIDE LATCH |
|----------------|-------------------|------------------------|-----------------------|---------------------------|----------------------------|---------------|------------|
| 92336-1026     | 92335-0305        | NONE                   | NONE                  |                           | <b>BETWEEN CKT 3&amp;4</b> | <b>BLUE</b>   | NO         |
| 92336-1027     | 92335-0005        | <b>CCT 5</b>           | a b e f               |                           | NONE                       | NONE          | NO         |
| 92336-1028     | 92335-0205        | NONE                   | a b e f               |                           | <b>BETWEEN CKT 2&amp;3</b> | NONE          | NO         |
| 92336-1029     | 92335-0005        | <b>CCT 2,3,4</b>       | c f                   |                           | NONE                       | NONE          | NO         |

|  |   |   |   |  |                                   |
|--|---|---|---|--|-----------------------------------|
| <b>SEE SHEET 1</b><br>ELC NO: IP02014-1184<br>DRWING: KUMARAN<br>CHKD: APPR: SHAWHAN<br>2014/01/07<br>2014/09/10 | QUALITY SYMBOLS<br>▽=0<br>▽=0   | GENERAL TOLERANCES (UNLESS SPECIFIED)<br>mm INCH<br>4 PLACES ±--- ±---<br>3 PLACES ±0.05 ±---<br>2 PLACES ±0.10 ±---<br>1 PLACE ±0.20 ±---<br>ANGULAR ±1/2° | DIMENSION STYLE<br><b>MM ONLY</b><br>DRAWN BY DATE<br>T. TOURISH 2007/09/21<br>CHECKED BY DATE<br>BRUTTLE 2007/09/21<br>APPROVED BY DATE<br>J. WALLACE 2012/01/19 | SCALE<br>1:1<br>DESIGN UNITS<br>METRIC<br>THIRD ANGLE PROJECTION | TITLE<br><b>R 2.5 SIGNAL ASSY</b> |
|  | DRAFT WHERE APPLICABLE MUST REMAIN WITHIN DIMENSIONS  |   | MATERIAL NO.<br><b>SEE CHARTS</b>   | MOLEX INCORPORATED<br>DOCUMENT NO.<br><b>SD-92336-001</b>        | SHEET NO.<br>4 OF 8               |
|  | THIS DRAWING CONTAINS INFORMATION THAT IS PROPRIETARY TO MOLEX INCORPORATED AND SHOULD NOT BE USED WITHOUT WRITTEN PERMISSION |   |   |  |                                   |
|  | SIZE 1  |   |   |  |                                   |

### 6 CIRCUIT

| MOLEX PART NO. | MOLEX HOUSING NO. | TERMINAL VOID POSITION | REMOVED POSITION KEYS | CONFIGURATION (SEE NOTES) | POLARIZING RIB             | COLOUR STRIPE |
|----------------|-------------------|------------------------|-----------------------|---------------------------|----------------------------|---------------|
| 92336-1501     | 92335-0006        | NONE                   | NONE                  |                           | NONE                       | NONE          |
| 92336-1502     | 92335-0306        | NONE                   | ALL                   |                           | <b>BETWEEN CKT 3&amp;4</b> | NONE          |
| 92336-1503     | 92335-0006        | NONE                   | c e f g               |                           | NONE                       | NONE          |
| 92336-1504     | 92335-0206        | NONE                   | ALL                   |                           | <b>BETWEEN CKT 2&amp;3</b> | NONE          |
| 92336-1505     | 92335-0006        | <b>CKT 2 &amp; 3</b>   | d f                   |                           | NONE                       | NONE          |
| 92336-1506     | 92335-0006        | NONE                   | a b f g               |                           | NONE                       | NONE          |
| 92336-1507     | 92335-0006        | NONE                   | e f                   |                           | NONE                       | NONE          |
| 92336-1509     | 92335-0006        | NONE                   | g                     |                           | NONE                       | NONE          |
| 92336-1510     | 92335-0006        | <b>CKT 2</b>           | c f                   |                           | NONE                       | NONE          |
| 92336-1511     | 92335-0006        | <b>CKT 2&amp;5</b>     | NONE                  |                           | NONE                       | NONE          |
| 92336-1512     | 92335-0006        | <b>CKT 3&amp;5</b>     | NONE                  |                           | NONE                       | NONE          |
| 92336-1513     | 92335-0006        | <b>CKT 2&amp;4</b>     | b d e f               |                           | NONE                       | NONE          |
| 92336-1514     | 92335-0106        | <b>CKT 3&amp;5</b>     | NONE                  |                           | <b>BETWEEN CKT 1&amp;2</b> | NONE          |
| 92336-1515     | 92335-0206        | <b>CKT 2&amp;5</b>     | NONE                  |                           | <b>BETWEEN CKT 2&amp;3</b> | NONE          |
| 92336-1516     | 92335-0306        | NONE                   | c f                   |                           | <b>BETWEEN CKT 3&amp;4</b> | NONE          |
| 92336-1517     | 92335-0006        | NONE                   | c e                   |                           | NONE                       | NONE          |
| 92336-1518     | 92335-0006        | <b>CKT 2&amp;4</b>     | NONE                  |                           | NONE                       | NONE          |
| 92336-1519     | 92335-0006        | NONE                   | a c e                 |                           | NONE                       | NONE          |
| 92336-1520     | 92335-0006        | <b>CKT 5</b>           | c e                   |                           | NONE                       | NONE          |
| 92336-1521     | 92335-0006        | <b>CKT 2,4,5&amp;6</b> | c e                   |                           | NONE                       | NONE          |
| 92336-1522     | 92335-0006        | <b>CKT 2&amp;6</b>     | c e                   |                           | NONE                       | NONE          |
| 92336-1523     | 92335-0406        | NONE                   | NONE                  |                           | <b>BETWEEN CKT 4&amp;5</b> | NONE          |
| 92236-1524     | 92335-0006        | <b>CKT 2,4,5&amp;6</b> | NONE                  |                           | NONE                       | NONE          |
| 92336-1525     | 92335-0006        | <b>CKT 2&amp;6</b>     | NONE                  |                           | NONE                       | NONE          |

### 6 CIRCUIT (cont'd)

| MOLEX PART NO. | MOLEX HOUSING NO. | TERMINAL VOID POSITION | REMOVED POSITION KEYS | CONFIGURATION (SEE NOTES) | POLARIZING RIB             | COLOUR STRIPE | SIDE LATCH |
|----------------|-------------------|------------------------|-----------------------|---------------------------|----------------------------|---------------|------------|
| 92336-1527     | 92335-0006        | <b>CKT 2&amp;5</b>     | c e                   |                           | NONE                       | NONE          | NO         |
| 92336-1528     | 92335-0006        | <b>CKT 2&amp;5</b>     | a, b, d, f, g         |                           | NONE                       | <b>GREEN</b>  | NO         |
| 92336-1529     | 92335-0006        | NONE                   | d                     |                           | NONE                       | NONE          | NO         |
| 92336-1531     | 92335-0006        | <b>CKT 1,2,3&amp;5</b> | NONE                  |                           | NONE                       | NONE          | NO         |
| 92336-1532     | 92335-0006        | <b>CKT 1,2,3&amp;5</b> | d, f                  |                           | NONE                       | NONE          | NO         |
| 92336-1534     | 92335-0006        | <b>CKT 3&amp;4</b>     | b, d, f.              |                           | NONE                       | NONE          | NO         |
| 92336-1535     | 92335-0006        | <b>CKT 4&amp;5</b>     | b, d, f.              |                           | NONE                       | NONE          | NO         |
| 92336-1536     | 92335-0206        | NONE                   | NONE                  |                           | <b>BETWEEN CKT 2&amp;3</b> | NONE          | NO         |
| 92336-1537     | 92335-0006        | NONE                   | d                     |                           | NONE                       | <b>BLUE</b>   | NO         |
| 92336-1538     | 92335-0406        | <b>CKT 3&amp;5</b>     | a e f g               |                           | <b>BETWEEN CKT 4&amp;5</b> | NONE          | NO         |
| 92336-1539     | 92335-0306        | <b>CKT 2&amp;5</b>     | a                     |                           | <b>BETWEEN CKT 3&amp;4</b> | <b>RED</b>    | NO         |
| 92336-1540     | 92335-0006        | <b>CKT 2&amp;5</b>     | NONE                  |                           | NONE                       | <b>RED</b>    | NO         |
| 92336-1541     | 92335-0006        | NONE                   | a c e g               |                           | NONE                       | NONE          | NO         |
| 92336-1542     | 92335-0006        | NONE                   | c d                   |                           | NONE                       | NONE          | NO         |
| 92336-1543     | 92340-0006        | NONE                   | a g                   |                           | NONE                       | NONE          | <b>YES</b> |
| 92336-1544     | 92340-0406        | <b>CKT 3&amp;5</b>     | a g                   |                           | <b>BETWEEN CKT 4&amp;5</b> | <b>GREEN</b>  | <b>YES</b> |
| 92336-1545     | 92335-0406        | <b>CKT 3&amp;5</b>     | NONE                  |                           | <b>BETWEEN CKT 4&amp;5</b> | <b>GREEN</b>  | NO         |
| 92336-1546     | 92335-0006        | <b>CKT 3&amp;5</b>     | NONE                  |                           | NONE                       | <b>BLUE</b>   | NO         |
| 92336-1547     | 92335-0006        | <b>CKT 1,2,3&amp;4</b> | NONE                  |                           | NONE                       | NONE          | NO         |
| 92336-1548     | 92335-0306        | NONE                   | a b g                 |                           | <b>BETWEEN CKT 3&amp;4</b> | <b>BLUE</b>   | NO         |

**NOTES**

- + DENOTES TERMINAL VOIDED POSITION  
 ⊕ DENOTES TERMINAL LOADED POSITION  
 | DENOTES POLARIZING RIB POSITION
- HOUSING NUMBER FOR MOLEX REFERENCE ONLY

|  |                               |   |                                   |   |                        |                        |  |
|--|-------------------------------|---|-----------------------------------|---|------------------------|------------------------|--|
| SEE SHEET 1<br>EC NO: IP2014-184<br>DR: WINKONAHAN<br>CHKD:<br>APPR: SHAMHAN<br>2014/01/07<br>2014/09/10 | QUALITY SYMBOLS<br>∇=0<br>∇=0 | GENERAL TOLERANCES (UNLESS SPECIFIED)<br>mm INCH<br>4 PLACES ± --- ± ---<br>3 PLACES ± 0.05 ± ---<br>2 PLACES ± 0.10 ± ---<br>1 PLACE ± 0.20 ± ---<br>ANGULAR ±1/2° | DIMENSION STYLE<br><b>MM ONLY</b> | SCALE<br>1:1  | DESIGN UNITS<br>METRIC | THIRD ANGLE PROJECTION |  |
|  | DRAWN BY<br>T T O U R I S H   | DATE<br>2007/09/21  | TITLE<br>R 2.5 SIGNAL ASSY        | <b>MOLEX INCORPORATED</b>   |                        |                        |  |
|  | CHECKED BY<br>B R U T T L E   | DATE<br>2007/09/21  | APPROVED BY<br>J W A L L A C E    |   |                        |                        |  |
|  | MATERIAL NO.<br>SEE CHARTS    | DOCUMENT NO.<br>SD-92336-001  | SHEET NO.<br>5 OF 8               | THIS DRAWING CONTAINS INFORMATION THAT IS PROPRIETARY TO MOLEX INCORPORATED AND SHOULD NOT BE USED WITHOUT WRITTEN PERMISSION |                        |                        |  |

| 7 CIRCUIT      |                   |                        |                       |                           |                            |               |
|----------------|-------------------|------------------------|-----------------------|---------------------------|----------------------------|---------------|
| MOLEX PART NO. | MOLEX HOUSING NO. | TERMINAL VOID POSITION | REMOVED POSITION KEYS | CONFIGURATION (SEE NOTES) | POLARIZING RIB             | COLOUR STRIPE |
| 92336-2001     | 92335-0007        | NONE                   | NONE                  |                           | NONE                       | NONE          |
| 92336-2002     | 92335-0207        | NONE                   | ALL                   |                           | <b>BETWEEN CKT 2&amp;3</b> | NONE          |
| 92336-2004     | 92335-0007        | NONE                   | a                     |                           | NONE                       | NONE          |
| 92336-2005     | 92335-0007        | <b>CKT 2</b>           | h                     |                           | NONE                       | NONE          |
| 92336-2006     | 92335-0007        | <b>CKT 4</b>           | a                     |                           | NONE                       | NONE          |
| 92336-2007     | 92335-0007        | <b>CKT 2</b>           | NONE                  |                           | NONE                       | NONE          |
| 92336-2008     | 92335-0007        | <b>CKT 6</b>           | NONE                  |                           | NONE                       | NONE          |
| 92336-2009     | 92335-0007        | <b>CKT 2</b>           | b c e g               |                           | NONE                       | <b>BLUE</b>   |
| 92336-2010     | 92335-0007        | <b>CKT 4&amp;6</b>     | b d f                 |                           | NONE                       | <b>RED</b>    |
| 92336-2011     | 92335-0007        | <b>CKT 4&amp;6</b>     | b d f                 |                           | NONE                       | <b>BLUE</b>   |
| 92336-2012     | 92335-0007        | <b>CKT 2</b>           | NONE                  |                           | NONE                       | <b>BLUE</b>   |
| 92336-2013     | 92335-0007        | <b>CKT 2</b>           | b d e f h             |                           | NONE                       | <b>BLUE</b>   |
| 92336-2014     | 92335-0007        | <b>CKT 4&amp;6</b>     | NONE                  |                           | NONE                       | <b>BLUE</b>   |
| 92336-2015     | 92335-0007        | <b>CKT 4&amp;6</b>     | c d e f h             |                           | NONE                       | <b>BLUE</b>   |
| 92336-2016     | 92335-0007        | <b>CKT 6</b>           | c d e f h             |                           | NONE                       | <b>BLUE</b>   |
| 92336-2017     | 92335-0007        | <b>CKT 6</b>           | c d e f               |                           | NONE                       | <b>BLUE</b>   |
| 92336-2018     | 92335-0007        | <b>CKT 6</b>           | NONE                  |                           | NONE                       | <b>BLUE</b>   |
| 92336-2019     | 92335-0007        | <b>CKT 2</b>           | NONE                  |                           | NONE                       | <b>BLACK</b>  |
| 92336-2020     | 92335-0207        | NONE                   | NONE                  |                           | <b>BETWEEN CKT 2&amp;3</b> | <b>BLUE</b>   |
| 92336-2021     | 92335-0207        | <b>CKT 1,2</b>         | NONE                  |                           | <b>BETWEEN CKT 2&amp;3</b> | <b>BLUE</b>   |

| 8 CIRCUIT      |                   |                        |                       |                           |                            |               |
|----------------|-------------------|------------------------|-----------------------|---------------------------|----------------------------|---------------|
| MOLEX PART NO. | MOLEX HOUSING NO. | TERMINAL VOID POSITION | REMOVED POSITION KEYS | CONFIGURATION (SEE NOTES) | POLARIZING RIB             | COLOUR STRIPE |
| 92336-2501     | 92335-0008        | NONE                   | NONE                  |                           | NONE                       | NONE          |
| 92336-2502     | 92335-0308        | NONE                   | NONE                  |                           | <b>BETWEEN CKT 3&amp;4</b> | NONE          |
| 92336-2503     | 92335-0008        | NONE                   | c f h i               |                           | NONE                       | NONE          |
| 92336-2504     | 92335-0008        | NONE                   | b c d h i             |                           | NONE                       | NONE          |
| 92336-2505     | 92335-0008        | NONE                   | b c g h               |                           | NONE                       | <b>BLUE</b>   |
| 92336-2506     | 92335-0008        | NONE                   | c f                   |                           | NONE                       | NONE          |
| 92336-2507     | 92335-0008        | NONE                   | c f h i               |                           | NONE                       | <b>BLUE</b>   |
| 92336-2508     | 92335-0008        | NONE                   | NONE                  |                           | NONE                       | <b>BLUE</b>   |
| 92336-2509     | 92335-0008        | NONE                   | a c d e g i           |                           | NONE                       | <b>BLUE</b>   |
| 92336-2510     | 92335-0008        | NONE                   | c d e f               |                           | NONE                       | <b>BLUE</b>   |
| 92336-2511     | 92335-0008        | NONE                   | NONE                  |                           | NONE                       | <b>BLACK</b>  |
| 92336-2512     | 92335-0008        | NONE                   | c f h i               |                           | NONE                       | <b>BLACK</b>  |
| 92336-2513     | 92335-0008        | NONE                   | c d g h               |                           | NONE                       | NONE          |
| 92336-2514     | 92335-0008        | NONE                   | a c d e f g h i       |                           | NONE                       | <b>BLUE</b>   |
| 92336-2515     | 92335-0208        | NONE                   | ALL                   |                           | <b>BETWEEN CKT 2&amp;3</b> | NONE          |
| 92336-2516     | 92335-0508        | NONE                   | ALL                   |                           | <b>BETWEEN CKT 5&amp;6</b> | NONE          |

NOTES

- + DENOTES TERMINAL VOIDED POSITION
  - ⊙ DENOTES TERMINAL LOADED POSITION
  - | DENOTES POLARIZING RIB POSITION
- HOUSING NUMBER FOR MOLEX REFERENCE ONLY

|   |   |   |                 |   |                    |                        |                            |
|---|---|---|-----------------|---|--------------------|------------------------|----------------------------|
| SEE SHEET 1<br>EC NO: IPG2014-1184<br>LEL: DRINKKONMAHAN<br>CHKD: APPR:SHAMAHAN<br>2014/09/10 | QUALITY SYMBOLS   | GENERAL TOLERANCES (UNLESS SPECIFIED)   | DIMENSION STYLE | SCALE   | DESIGN UNITS       | THIRD ANGLE PROJECTION |                            |
|   | $\nabla=0$<br>$\nabla=0$  | mm    INCH<br>4 PLACES ± --- ± ---<br>3 PLACES ± 0.05 ± ---<br>2 PLACES ± 0.10 ± ---<br>1 PLACE ± 0.20 ± ---<br>ANGULAR ±1/2° | M M ONLY        | DRAWN BY DATE<br>T TOURISH 2007/09/21<br>CHECKED BY DATE<br>BRUTTLE 2007/09/21<br>APPROVED BY DATE<br>JWALLACE 2012/01/19 | 1:1                | METRIC                 | TITLE<br>R 2.5 SIGNAL ASSY |
|   | DRAFT WHERE APPLICABLE MUST REMAIN WITHIN DIMENSIONS  | SEE CHARTS  | MATERIAL NO.    | DOCUMENT NO.  | MOLEX INCORPORATED |                        | SHEET NO.<br>6 OF 8        |
|   | THIS DRAWING CONTAINS INFORMATION THAT IS PROPRIETARY TO MOLEX INCORPORATED AND SHOULD NOT BE USED WITHOUT WRITTEN PERMISSION |   |                 |   |                    |                        |                            |

# 9 CIRCUIT

| MOLEX PART NO.   | MOLEX HOUSING NO. | TERMINAL VOID POSITION | REMOVED POSITION KEYS | CONFIGURATION (SEE NOTES) | POLARIZING RIB             | COLOUR STRIPE | SIDE LATCH |
|--|-------------------|------------------------|-----------------------|---------------------------|----------------------------|---------------|------------|
| 92336-3001   | 92335-0009        | NONE                   | NONE                  |                           | NONE                       | NONE          | NO         |
| 92336-3002   | 92335-0409        | NONE                   | NONE                  |                           | <b>BETWEEN CKT 4&amp;5</b> | NONE          | NO         |
| 92336-3003   | 92335-0009        | <b>CKT 2,5&amp;8</b>   | NONE                  |                           | NONE                       | NONE          | NO         |
| 92336-3004   | 92335-0209        | NONE                   | NONE                  |                           | <b>BETWEEN CKT 2&amp;3</b> | NONE          | NO         |
| 92336-3005   | 92335-0009        | <b>CKT 2,5&amp;8</b>   | b c e g i j           |                           | NONE                       | <b>GREEN</b>  | NO         |
| 92336-3006   | 92335-0009        | <b>CKT 2,5&amp;8</b>   | NONE                  |                           | NONE                       | <b>GREEN</b>  | NO         |
| 92336-3007   | 92335-0009        | <b>CKT 2,5&amp;8</b>   | b c e f g i j         |                           | NONE                       | <b>GREEN</b>  | NO         |
| 92336-3008   | 92335-0009        | <b>CKT 2,5&amp;8</b>   | b c e f g i           |                           | NONE                       | <b>GREEN</b>  | NO         |
| 92336-3009   | 92335-0009        | <b>CKT 2,5&amp;7</b>   | c g                   |                           | NONE                       | NONE          | NO         |
| 92336-3010   | 92335-0009        | <b>CKT 3,5&amp;8</b>   | NONE                  |                           | NONE                       | NONE          | NO         |
| 92336-3011   | 92335-0009        | <b>CKT 3,5&amp;8</b>   | c d g h               |                           | NONE                       | NONE          | NO         |
| 92336-3012   | 92335-0009        | <b>CKT 3,5&amp;8</b>   | NONE                  |                           | NONE                       | <b>BLUE</b>   | NO         |
| 92336-3013   | 92340-0209        | <b>CKT 2,4&amp;6</b>   | a j                   |                           | <b>BETWEEN CKT 2&amp;3</b> | <b>BLACK</b>  | <b>YES</b> |
| 92336-3014 PART NUMBER OBSOLETE (NO GREY STRIPE AVAILABLE) |                   |                        |                       |                           |                            |               |            |
| 92336-3015   | 92335-0009        | <b>CKT 3,5&amp;8</b>   | c d e i j             |                           | NONE                       | <b>BLUE</b>   | NO         |
| 92336-3017   | 92335-0209        | <b>CKT 2,4&amp;6</b>   | NONE                  |                           | <b>BETWEEN CKT 2&amp;3</b> | <b>BLACK</b>  | NO         |

### NOTES

- + DENOTES TERMINAL VOIDED POSITION  
● DENOTES TERMINAL LOADED POSITION  
| DENOTES POLARIZING RIB POSITION
- HOUSING NUMBER FOR MOLEX REFERENCE ONLY

# 10 CIRCUIT

| MOLEX PART NO. | MOLEX HOUSING NO. | TERMINAL VOID POSITION | REMOVED POSITION KEYS | CONFIGURATION (SEE NOTES) | POLARIZING RIB             | COLOUR STRIPE |
|----------------|-------------------|------------------------|-----------------------|---------------------------|----------------------------|---------------|
| 92336-3501     | 92335-0010        | NONE                   | NONE                  |                           | NONE                       | NONE          |
| 92336-3502     | 92335-0210        | NONE                   | ALL                   |                           | <b>BETWEEN CKT 2&amp;3</b> | NONE          |
| 92336-3503     | 92335-0010        | <b>CKT 2,5,7&amp;8</b> | NONE                  |                           | NONE                       | NONE          |
| 92336-3504     | 92335-0410        | NONE                   | NONE                  |                           | <b>BETWEEN CKT 4&amp;5</b> | NONE          |
| 92336-3505     | 92335-0010        | <b>CKT 2,9</b>         | NONE                  |                           | NONE                       | <b>BLUE</b>   |
| 92336-3506     | 92335-0010        | <b>CKT 2,4,6&amp;8</b> | NONE                  |                           | NONE                       | NONE          |

|  |  |   |                                   |  |                               |                        |  |
|--|--|---|-----------------------------------|--|-------------------------------|------------------------|--|
| <b>SEE SHEET 1</b><br>ELEC NO: IPG2014-1184<br>DRAWN BY: DRWINCKONAHAN<br>CHKD: APPR: SHAMAHAN<br>2014/01/07<br>2014/09/10 | QUALITY SYMBOLS<br>▽=0<br>▽=0  | GENERAL TOLERANCES (UNLESS SPECIFIED)<br>mm    INCH<br>4 PLACES ± --- ± ---<br>3 PLACES ± 0.05 ± ---<br>2 PLACES ± 0.10 ± ---<br>1 PLACE ± 0.20 ± ---<br>ANGULAR ± 1/2° | DIMENSION STYLE<br><b>MM ONLY</b> | SCALE<br><b>1:1</b>  | DESIGN UNITS<br><b>METRIC</b> | THIRD ANGLE PROJECTION |  |
|  | DRAWN BY: TOURISH    DATE: 2007/09/21<br>CHECKED BY: BRUTTLE    DATE: 2007/09/21<br>APPROVED BY: J WALLACE    DATE: 2012/01/19 | TITLE<br><b>R 2.5 SIGNAL ASSY</b>   |                                   | MATERIAL NO.    DOCUMENT NO.    SHEET NO.<br><b>SEE CHARTS</b> <b>SD-92336-001</b> <b>7 OF 8</b> |                               |                        |  |
|  | DRAFT WHERE APPLICABLE MUST REMAIN WITHIN DIMENSIONS   |   |                                   |  |                               |                        |  |
|  | THIS DRAWING CONTAINS INFORMATION THAT IS PROPRIETARY TO MOLEX INCORPORATED AND SHOULD NOT BE USED WITHOUT WRITTEN PERMISSION  |   |                                   |  |                               |                        |  |

### 11 CIRCUIT

| MOLEX PART NO. | MOLEX HOUSING NO. | TERMINAL VOID POSITION | REMOVED POSITION KEYS | CONFIGURATION (SEE NOTES) | POLARIZING RIB | COLOUR STRIPE |
|----------------|-------------------|------------------------|-----------------------|---------------------------|----------------|---------------|
| 92336-4001     | 92335-0011        | NONE                   | NONE                  |                           | NONE           | NONE          |
| 92336-4005     | 92335-0011        | <b>CCT 4,6,8,10</b>    | NONE                  |                           | NONE           | NONE          |

### 12 CIRCUIT

| MOLEX PART NO. | MOLEX HOUSING NO. | TERMINAL VOID POSITION  | REMOVED POSITION KEYS  | CONFIGURATION (SEE NOTES) | POLARIZING RIB | COLOUR STRIPE |
|----------------|-------------------|-------------------------|------------------------|---------------------------|----------------|---------------|
| 92336-4501     | 92335-0012        | NONE                    | NONE                   |                           | NONE           | NONE          |
| 92336-4502     | 92335-0012        | <b>CKT 2,5,8&amp;11</b> | b c d e j k l          |                           | NONE           | <b>GREEN</b>  |
| 92336-4503     | 92335-0012        | <b>CKT 2,5,8&amp;11</b> | NONE                   |                           | NONE           | <b>GREEN</b>  |
| 92336-4504     | 92335-0012        | <b>CKT 2,5,8&amp;11</b> | a c d e g h i<br>k l m |                           | NONE           | <b>GREEN</b>  |
| 92336-4505     | 92335-0012        | <b>CKT 2,5,8&amp;11</b> | c d e g h i k<br>l m   |                           | NONE           | <b>GREEN</b>  |

### 13 CIRCUIT

| MOLEX PART NO. | MOLEX HOUSING NO. | TERMINAL VOID POSITION      | REMOVED POSITION KEYS | CONFIGURATION (SEE NOTES) | POLARIZING RIB     | COLOUR STRIPE |
|----------------|-------------------|-----------------------------|-----------------------|---------------------------|--------------------|---------------|
| 92336-5001     | 92335-0013        | NONE                        | NONE                  |                           | NONE               | NONE          |
| 92336-5002     | 92335-0013        | <b>CKT 4,6,8,10 &amp;12</b> | NONE                  |                           | NONE               | NONE          |
| 92336-5003     | 92335-0013        | NONE                        | c, f, h, i, k, l      |                           | NONE               | NONE          |
| 92336-5004     | 92335-0213        | NONE                        | a n                   |                           | <b>CKT 2&amp;3</b> | NONE          |

### 14 CIRCUIT

| MOLEX PART NO. | MOLEX HOUSING NO. | TERMINAL VOID POSITION | REMOVED POSITION KEYS | CONFIGURATION (SEE NOTES) | POLARIZING RIB | COLOUR STRIPE |
|----------------|-------------------|------------------------|-----------------------|---------------------------|----------------|---------------|
| 92336-5501     | 92335-0014        | NONE                   | NONE                  |                           | NONE           | NONE          |

- NOTES
- + DENOTES TERMINAL VOIDED POSITION
    - ⊕ DENOTES TERMINAL LOADED POSITION
    - | DENOTES POLARIZING RIB POSITION
  - HOUSING NUMBER FOR MOLEX REFERENCE ONLY

### 15 CIRCUIT

| MOLEX PART NO. | MOLEX HOUSING NO. | TERMINAL VOID POSITION           | REMOVED POSITION KEYS | CONFIGURATION (SEE NOTES) | POLARIZING RIB | COLOUR STRIPE |
|----------------|-------------------|----------------------------------|-----------------------|---------------------------|----------------|---------------|
| 92336-6001     | 92335-0015        | NONE                             | NONE                  |                           | NONE           | NONE          |
| 92336-6002     | 92335-0015        | <b>CKT 4,6,8,10, 12 &amp; 14</b> | o p                   |                           | NONE           | NONE          |

### 16 CIRCUIT

| MOLEX PART NO. | MOLEX HOUSING NO. | TERMINAL VOID POSITION | REMOVED POSITION KEYS | CONFIGURATION (SEE NOTES) | POLARIZING RIB | COLOUR STRIPE |
|----------------|-------------------|------------------------|-----------------------|---------------------------|----------------|---------------|
| 92336-6501     | 92335-0016        | NONE                   | NONE                  |                           | NONE           | NONE          |

### 17 CIRCUIT

| MOLEX PART NO. | MOLEX HOUSING NO. | TERMINAL VOID POSITION | REMOVED POSITION KEYS | CONFIGURATION (SEE NOTES) | POLARIZING RIB | COLOUR STRIPE |
|----------------|-------------------|------------------------|-----------------------|---------------------------|----------------|---------------|
| 92336-7001     | 92335-0017        | NONE                   | NONE                  |                           | NONE           | NONE          |

### 18 CIRCUIT

| MOLEX PART NO. | MOLEX HOUSING NO. | TERMINAL VOID POSITION | REMOVED POSITION KEYS | CONFIGURATION (SEE NOTES) | POLARIZING RIB | COLOUR STRIPE |
|----------------|-------------------|------------------------|-----------------------|---------------------------|----------------|---------------|
| 92336-7501     | 92335-0018        | NONE                   | NONE                  |                           | NONE           | NONE          |

### 19 CIRCUIT

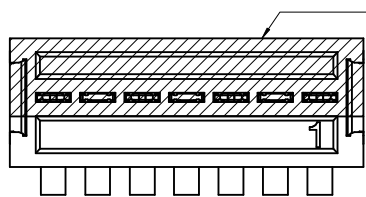
| MOLEX PART NO. | MOLEX HOUSING NO. | TERMINAL VOID POSITION | REMOVED POSITION KEYS | CONFIGURATION (SEE NOTES) | POLARIZING RIB | COLOUR STRIPE |
|----------------|-------------------|------------------------|-----------------------|---------------------------|----------------|---------------|
| 92336-8001     | 92335-0019        | NONE                   | NONE                  |                           | NONE           | NONE          |

### 20 CIRCUIT

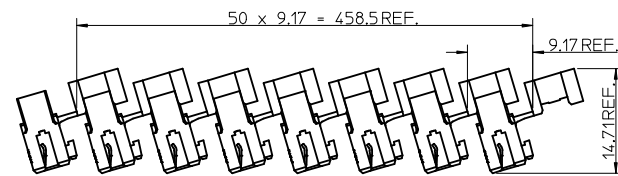
| MOLEX PART NO. | MOLEX HOUSING NO. | TERMINAL VOID POSITION | REMOVED POSITION KEYS | CONFIGURATION (SEE NOTES) | POLARIZING RIB | COLOUR STRIPE |
|----------------|-------------------|------------------------|-----------------------|---------------------------|----------------|---------------|
| 92336-8501     | 92335-0020        | NONE                   | NONE                  |                           | NONE           | NONE          |

|   |   |  |  |  |                            |
|---|---|--|--|--|----------------------------|
| SEE SHEET 1<br>DRW: KONDHAN<br>CHKD: APPR: SHAMHAN<br>2014/01/10<br>DESCRIPTION | QUALITY SYMBOLS<br>∇=0<br>∇=0   | GENERAL TOLERANCES (UNLESS SPECIFIED)<br>mm INCH<br>4 PLACES ± --- ± ---<br>3 PLACES ± 0.05 ± ---<br>2 PLACES ± 0.10 ± ---<br>1 PLACE ± 0.20 ± ---<br>ANGULAR ± 1/2° | DIMENSION STYLE<br>MM ONLY<br>DRAWN BY DATE<br>T. TOURISH 2007/09/21<br>CHECKED BY DATE<br>BRUTTLE 2007/09/21<br>APPROVED BY DATE<br>J. WALLACE 2012/01/19 | SCALE<br>1:1<br>DESIGN UNITS<br>METRIC<br>THIRD ANGLE PROJECTION | TITLE<br>R 2.5 SIGNAL ASSY |
|   | DRAFT WHERE APPLICABLE MUST REMAIN WITHIN DIMENSIONS  |  | SEE CHARTS   | MATERIAL NO.<br>SD-92336-001                                     | SHEET NO.<br>8 OF 8        |
|   | THIS DRAWING CONTAINS INFORMATION THAT IS PROPRIETARY TO MOLEX INCORPORATED AND SHOULD NOT BE USED WITHOUT WRITTEN PERMISSION |  |  |  |                            |
|   | MOLEX INCORPORATED  |  |  |  |                            |



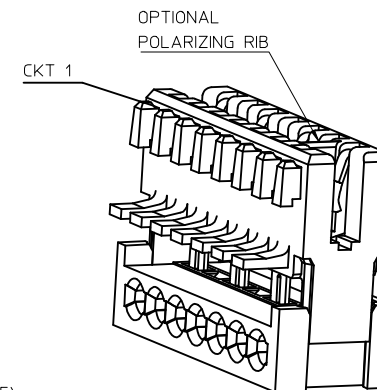
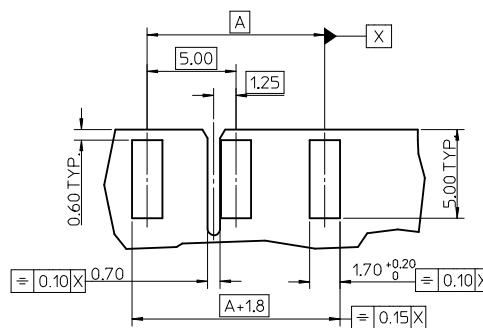
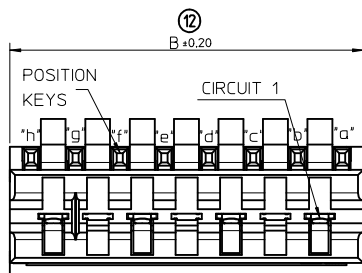
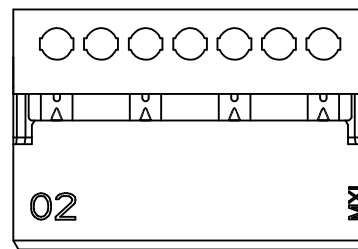
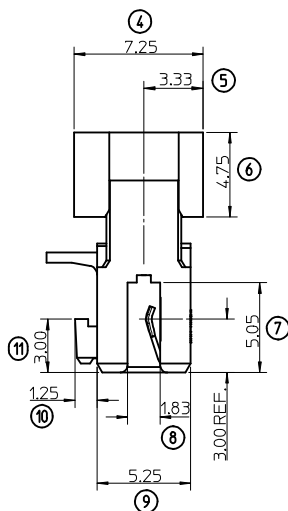
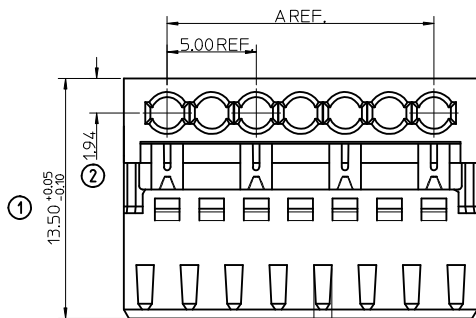


COLOUR STRIPE WITHIN SHADED AREA (SEE NOTE 3)



SHIPPING ARRANGEMENT  
SCALE 2:1

| CCT | "A" | "B"    |
|-----|-----|--------|
| 2   | 5   | 9.875  |
| 3   | 10  | 14.875 |
| 4   | 15  | 19.875 |
| 5   | 20  | 24.875 |
| 6   | 25  | 29.875 |
| 7   | 30  | 34.875 |
| 8   | 35  | 39.875 |
| 9   | 40  | 44.875 |
| 10  | 45  | 49.875 |



- PCB LAYOUT FOR 3CCT CONNECTOR (WITH OPTIONAL POSITIONAL RIB SLOT BETWEEN HSG CCT 4 & HSG CCT 5)
- THE POSITIONAL RIB SLOT CAN BE PLACED BETWEEN ANY TWO CIRCUITS TO SUIT MATING CONNECTOR. ABOVE SKETCH SHOWS A PARTICULAR EXAMPLE
- RECOMMENDED PCB THICKNESS 1.5±0.14mm. ALL PCB DIMENSIONS ARE REFERENCE ONLY

NOTES:

- REFER TO PRODUCT SPECIFICATION: PS-92336-001
- MATERIAL: HOUSING - PA 6. UL94-V2.  
COLOUR: NATURAL (WHITE)  
TERMINAL: COPPER ALLOY 0.25 REF. THICK  
PLATING - Sn
- COLOUR STRIPE IS OPTIONAL, AVAILABLE IN THE FOLLOWING COLOURS: RED, GREEN, BLUE.  
(BLACK SPECIFIES CUSTOMER SPECIFIC CONFIGURATION)
- REFER TO PACKAGING SPECIFICATION: PK-90871-001
- REFER TO APPLICATION SPECIFICATION: AS-99033-0008)

| ADDED NEW PART NUMBERS<br>EC NO: IPG2014-1185<br>DRAWN: MONAHAN 2014/01/07<br>CHKD:<br>APPR: STIGLITZ 2014/01/16 | QUALITY SYMBOLS<br>▽=0<br>▽=0 | GENERAL TOLERANCES (UNLESS SPECIFIED)                      |      | DIMENSION STYLE<br>MM ONLY |                    | SCALE<br>5:1  | DESIGN UNITS<br>METRIC   | THIRD ANGLE PROJECTION |  |
|--|-------------------------------|--|------|----------------------------|--------------------|---|--------------------------|------------------------|--|
|  |                               | mm   | INCH | DRAWN BY<br>TTOURISH       | DATE<br>08/10/23   | TITLE<br>RAST 2.5 SIGNAL ASSY<br>5MM PITCH  | Molex MOLEX INCORPORATED |                        |  |
|  |                               | 4 PLACES ±---  | ±--- | CHECKED BY<br>BRUTTLE      | DATE<br>08/10/23   | DOCUMENT NO.<br>SD-92338-001  |                          | SHEET NO.<br>1 OF 3    |  |
|  |                               | 3 PLACES ±0.05   | ±--- | APPROVED BY<br>BMAGUIRE    | DATE<br>2010/12/23 | THIS DRAWING CONTAINS INFORMATION THAT IS PROPRIETARY TO MOLEX INCORPORATED AND SHOULD NOT BE USED WITHOUT WRITTEN PERMISSION |                          |                        |  |
|  |                               | 2 PLACES ±0.10   | ±--- |                            |                    |   |                          |                        |  |
|  |                               | 1 PLACE ±0.20  | ±--- |                            |                    |   |                          |                        |  |
|  |                               | ANGULAR ±1/2°  |      |                            |                    |   |                          |                        |  |
|  |                               | DRAFT WHERE APPLICABLE<br>MUST REMAIN<br>WITHIN DIMENSIONS |      |                            |                    |   |                          |                        |  |

## 2 CIRCUIT

| MOLEX PART NO. | MOLEX HOUSING NO. | REMOVED POSITION KEYS | CONFIGURATION (SEE NOTES) | POLARIZING RIB                 | COLOUR STRIPE |
|----------------|-------------------|-----------------------|---------------------------|--------------------------------|---------------|
| 92338-0002     | 92335-0003        | NONE                  |                           | NONE                           | NONE          |
| 92338-0003     | 92335-0003        | a                     |                           | NONE                           | NONE          |
| 92338-0004     | 92335-0003        | b                     |                           | NONE                           | NONE          |
| 92338-0005     | 92335-0003        | c                     |                           | NONE                           | NONE          |
| 92338-0006     | 92335-0003        | d                     |                           | NONE                           | NONE          |
| 92338-0007     | 92335-0003        | b d                   |                           | NONE                           | NONE          |
| 92338-0008     | 92335-0003        | a c                   |                           | NONE                           | NONE          |
| 92338-0009     | 92335-0003        | a d                   |                           | NONE                           | NONE          |
| 92338-0010     | 92335-0003        | a b                   |                           | NONE                           | NONE          |
| 92338-0011     | 92335-0003        | b c                   |                           | NONE                           | NONE          |
| 92338-0012     | 92335-0003        | c d                   |                           | NONE                           | NONE          |
| 92338-0014     | 92335-0003        | b c d                 |                           | NONE                           | NONE          |
| 92338-0013     | 92335-0003        | b c                   |                           | NONE                           | RED           |
| 92338-0015     | 92335-0003        | b c d                 |                           | NONE                           | BLUE          |
| 92338-0016     | 92335-0003        | c d                   |                           | NONE                           | BLUE          |
| 92338-0017     | 92335-0203        | NONE                  |                           | <b>BETWEEN H9G CKT 2&amp;3</b> | NONE          |
| 92338-0018     | 92335-0103        | NONE                  |                           | <b>BETWEEN H9G CKT 1&amp;2</b> | NONE          |
| 92338-0019     | 92335-0003        | NONE                  |                           | NONE                           | BLUE          |
| 92338-0020     | 92335-0003        | a c                   |                           | NONE                           | BLUE          |
| 92338-0021     | 92335-0003        | b c                   |                           | NONE                           | GREEN         |
| 92338-0022     | 92335-0003        | a d                   |                           | NONE                           | GREEN         |
| 92338-0023     | 92335-0003        | NONE                  |                           | NONE                           | GREEN         |
| 92338-0024     | 92335-0103        | d                     |                           | <b>BETWEEN H9G CKT 1&amp;2</b> | RED           |
| 92338-0025     | 92335-0103        | a c                   |                           | <b>BETWEEN H9G CKT 1&amp;2</b> | RED           |

## 2 CIRCUIT (cont'd)

| MOLEX PART NO. | MOLEX HOUSING NO. | REMOVED POSITION KEYS | CONFIGURATION (SEE NOTES) | POLARISING RIB                 | COLOUR STRIPE |
|----------------|-------------------|-----------------------|---------------------------|--------------------------------|---------------|
| 92338-0026     | 92335-0203        | a                     |                           | <b>BETWEEN H9G CKT 2&amp;3</b> | NONE          |
| 92338-0027     | 92335-0203        | NONE                  |                           | <b>BETWEEN H9G CKT 2&amp;3</b> | RED           |
| 92338-0028     | 92335-0003        | a                     |                           | NONE                           | RED           |
| 92338-0029     | 92335-0003        | NONE                  |                           | NONE                           | RED           |
| 92338-0030     | 92335-0103        | b c d                 |                           | <b>BETWEEN H9G CKT 1&amp;2</b> | RED           |
| 92338-0031     | 92335-0203        | a                     |                           | <b>BETWEEN H9G CKT 2&amp;3</b> | RED           |
| 92338-0032     | 92335-0003        | b                     |                           | NONE                           | RED           |
| 92338-0033     | 92335-0003        | d                     |                           | NONE                           | YELLOW        |
| 92338-0035     | 92335-0003        | b d                   |                           | NONE                           | GREEN         |
| 92338-0036     | 92335-0103        | NONE                  |                           | <b>BETWEEN H9G CKT 1&amp;2</b> | RED           |
| 92338-0037     | 92335-0103        | b d                   |                           | <b>BETWEEN H9G CKT 1&amp;2</b> | RED           |
| 92338-0038     | 92335-0203        | a c                   |                           | <b>BETWEEN H9G CKT 2&amp;3</b> | NONE          |
| 92338-0039     | 92335-0003        | a b d                 |                           | NONE                           | NONE          |
| 92338-0040     | 92335-0003        | a                     |                           | NONE                           | BLUE          |
| 92338-0041     | 92335-0203        | a d                   |                           | <b>BETWEEN H9G CKT 2&amp;3</b> | BLUE          |
| 92338-0042     | 92335-0003        | d                     |                           | NONE                           | BLUE          |
| 92338-0044     | 92335-0003        | ALL                   |                           | NONE                           | BLUE          |
| 92338-0045     | 92335-0103        | a c d                 |                           | <b>BETWEEN H9G CKT 1&amp;2</b> | RED           |
| 92338-0046     | 92335-0103        | a b d                 |                           | <b>BETWEEN H9G CKT 1&amp;2</b> | GREEN         |
| 92338-0047     | 92335-0203        | a b d                 |                           | <b>BETWEEN H9G CKT 2&amp;3</b> | BLACK         |

### NOTES

- + DENOTES TERMINAL VOIDED POSITION
  - ⊕ DENOTES TERMINAL LOADED POSITION
  - ↑ DENOTES POLARIZING RIB POSITION
- HOUSING NUMBER FOR MOLEX REFERENCE ONLY

## 3 CIRCUIT

| MOLEX PART NO. | MOLEX HOUSING NO. | REMOVED POSITION KEYS | CONFIGURATION (SEE NOTES) | POLARIZING RIB                 | COLOUR STRIPE |
|----------------|-------------------|-----------------------|---------------------------|--------------------------------|---------------|
| 92338-1001     | 92335-0005        | NONE                  |                           | NONE                           | NONE          |
| 92338-1002     | 92335-0005        | b                     |                           | NONE                           | NONE          |
| 92338-1003     | 92335-0005        | c                     |                           | NONE                           | NONE          |
| 92338-1004     | 92335-0005        | c d e                 |                           | NONE                           | NONE          |
| 92338-1005     | 92335-0405        | NONE                  |                           | <b>BETWEEN H9G CKT 4&amp;5</b> | NONE          |
| 92338-1007     | 92335-0105        | NONE                  |                           | <b>BETWEEN H9G CKT 1&amp;2</b> | NONE          |
| 92338-1008     | 92335-0005        | d e f                 |                           | NONE                           | RED           |
| 92338-1009     | 92335-0005        | a b c                 |                           | NONE                           | RED           |
| 92338-1010     | 92335-0005        | a c d e               |                           | NONE                           | NONE          |
| 92338-1011     | 92335-0005        | a c d e               |                           | NONE                           | BLUE          |
| 92338-1012     | 92335-0005        | d e f                 |                           | NONE                           | NONE          |

## 4 CIRCUIT

| MOLEX PART NO. | MOLEX HOUSING NO. | REMOVED POSITION KEYS | CONFIGURATION (SEE NOTES) | POLARIZING RIB | COLOUR STRIPE |
|----------------|-------------------|-----------------------|---------------------------|----------------|---------------|
| 92338-2001     | 92335-0007        | NONE                  |                           | NONE           | NONE          |
| 92338-2002     | 92335-0007        | a                     |                           | NONE           | NONE          |
| 92338-2003     | 92335-0007        | b                     |                           | NONE           | NONE          |
| 92338-2004     | 92335-0007        | d f                   |                           | NONE           | NONE          |
| 92338-2005     | 92335-0007        | a e g                 |                           | NONE           | RED           |
| 92338-2006     | 92335-0007        | c e                   |                           | NONE           | NONE          |
| 92338-2007     | 92335-0007        | NONE                  |                           | NONE           | BLUE          |

|  |  |   |   |  |  |                              |   |                  |
|--|--|---|---|--|--|------------------------------|---|------------------|
| <b>REMOVED DUPLICATE PART NOS</b><br>ELEC NO: IPC2014-1185<br>DRAWN BY: DRWINCONAHAN<br>CHKD: APPR:STRIFE IN<br>DATE: 2014/01/16 | QUALITY SYMBOLS<br>∇=0<br>∇=0                                  | GENERAL TOLERANCES (UNLESS SPECIFIED)<br>mm INCH<br>4 PLACES ± --- ± ---<br>3 PLACES ± 0.05 ± ---<br>2 PLACES ± 0.10 ± ---<br>1 PLACE ± 0.20 ± ---<br>ANGULAR ±1/2° | DIMENSION STYLE<br>MM ONLY<br>DRAWN BY DATE<br>TOURISH 08/10/23<br>CHECKED BY DATE<br>BRITTLE 08/10/23<br>APPROVED BY DATE<br>BMAGUIRE 2010/12/23 | SCALE<br>1:1<br>DESIGN UNITS<br>METRIC<br>THIRD ANGLE PROJECTION | TITLE<br>RAST 2.5 SIGNAL ASSY<br>5MM PITCH | MATERIAL NO.<br>SD-92338-001 | SHEET NO.<br>2 OF 3   |                  |
|  | DRAFT WHERE APPLICABLE MUST REMAIN WITHIN DIMENSIONS           |   | SEE CHARTS  |  | MOLEX INCORPORATED                         |                              | THIS DRAWING CONTAINS INFORMATION THAT IS PROPRIETARY TO MOLEX INCORPORATED AND SHOULD NOT BE USED WITHOUT WRITTEN PERMISSION |                  |
|  | MOLEX INCORPORATED   |   |   |  |  |                              |   | SD-92338-001     |
|  | INCORPORATED AND SHOULD NOT BE USED WITHOUT WRITTEN PERMISSION |   |   |  |  |                              |   | SHEET NO. 2 OF 3 |

| 5 CIRCUIT      |                   |                       |                           |                |               |
|----------------|-------------------|-----------------------|---------------------------|----------------|---------------|
| MOLEX PART NO. | MOLEX HOUSING NO. | REMOVED POSITION KEYS | CONFIGURATION (SEE NOTES) | POLARIZING RIB | COLOUR STRIPE |
| 92338-3001     | 92335-0009        | NONE                  |                           | NONE           | NONE          |
| 92338-3002     | 92335-0009        | b c g h i             |                           | NONE           | <b>GREEN</b>  |

| 8 CIRCUIT      |                   |                       |                           |                |               |
|----------------|-------------------|-----------------------|---------------------------|----------------|---------------|
| MOLEX PART NO. | MOLEX HOUSING NO. | REMOVED POSITION KEYS | CONFIGURATION (SEE NOTES) | POLARIZING RIB | COLOUR STRIPE |
| 92338-6001     | 92335-0015        | NONE                  |                           | NONE           | NONE          |

| 6 CIRCUIT      |                   |                       |                           |                |               |
|----------------|-------------------|-----------------------|---------------------------|----------------|---------------|
| MOLEX PART NO. | MOLEX HOUSING NO. | REMOVED POSITION KEYS | CONFIGURATION (SEE NOTES) | POLARIZING RIB | COLOUR STRIPE |
| 92338-4001     | 92335-0011        | NONE                  |                           | NONE           | NONE          |
| 92338-4002     | 92335-0011        | b c d e f<br>g h i k  |                           | NONE           | NONE          |
| 92338-4008     | 92335-0011        | NONE                  |                           | NONE           | <b>BLUE</b>   |

| 9 CIRCUIT      |                   |                       |                           |                |               |
|----------------|-------------------|-----------------------|---------------------------|----------------|---------------|
| MOLEX PART NO. | MOLEX HOUSING NO. | REMOVED POSITION KEYS | CONFIGURATION (SEE NOTES) | POLARIZING RIB | COLOUR STRIPE |
| 92338-7001     | 92335-0017        | NONE                  |                           | NONE           | NONE          |

| 7 CIRCUIT      |                   |                       |                           |                |               |
|----------------|-------------------|-----------------------|---------------------------|----------------|---------------|
| MOLEX PART NO. | MOLEX HOUSING NO. | REMOVED POSITION KEYS | CONFIGURATION (SEE NOTES) | POLARIZING RIB | COLOUR STRIPE |
| 92338-5001     | 92335-0013        | a c e g i k m         |                           | NONE           | NONE          |
| 92338-5002     | 92335-0013        | NONE                  |                           | NONE           | <b>BLUE</b>   |

| 10 CIRCUIT     |                   |                       |                           |                |               |
|----------------|-------------------|-----------------------|---------------------------|----------------|---------------|
| MOLEX PART NO. | MOLEX HOUSING NO. | REMOVED POSITION KEYS | CONFIGURATION (SEE NOTES) | POLARIZING RIB | COLOUR STRIPE |
| 92338-8001     | 92335-0019        | NONE                  |                           | NONE           | NONE          |

NOTES  
 1. + DENOTES TERMINAL VOIDED POSITION  
 ⊕ DENOTES TERMINAL LOADED POSITION  
 † DENOTES POLARIZING RIB POSITION  
 2. HOUSING NUMBER FOR MOLEX REFERENCE ONLY

|  |   |  |   |  |                    |                        |
|--|---|--|---|--|--------------------|------------------------|
| SEE SHEET 1<br>EC NO: IPG2014-1185<br>DRAWN BY: DRWINCHONAHAN<br>CHKD: APPR: STRIFFEIN<br>DATE: 2014/01/16 | QUALITY SYMBOLS   | GENERAL TOLERANCES (UNLESS SPECIFIED)  | DIMENSION STYLE   | SCALE                                      | DESIGN UNITS       | THIRD ANGLE PROJECTION |
|  |   | mm    INCH<br>4 PLACES ± --- ± ---<br>3 PLACES ± 0.05 ± ---<br>2 PLACES ± 0.10 ± ---<br>1 PLACE ± 0.20 ± ---<br>ANGULAR ± 1/2° | M M ONLY<br>DRAWN BY: TOURISH    DATE: 08/10/23<br>CHECKED BY: BRUTTLE    DATE: 08/10/23<br>APPROVED BY: BMAGUIRE    DATE: 2010/12/23 | 5:1  | METRIC             |                        |
|  | DRAFT WHERE APPLICABLE MUST REMAIN WITHIN DIMENSIONS  | SEE CHARTS   | MATERIAL NO.<br>SD-92338-001  | TITLE<br>RAST 2.5 SIGNAL ASSY<br>5MM PITCH | MOLEX INCORPORATED | SHEET NO.<br>3 OF 3    |
|  | THIS DRAWING CONTAINS INFORMATION THAT IS PROPRIETARY TO MOLEX INCORPORATED AND SHOULD NOT BE USED WITHOUT WRITTEN PERMISSION |  |   |  |                    |                        |