

THIS DRAWING IS UNPUBLISHED.

RELEASED FOR PUBLICATION

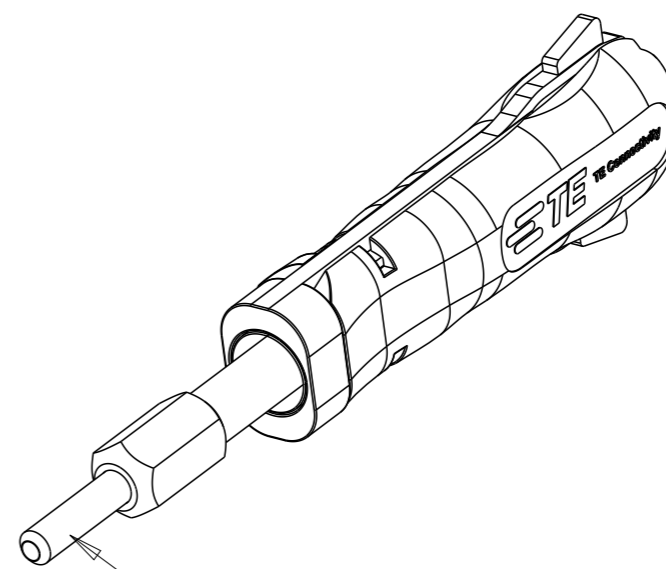
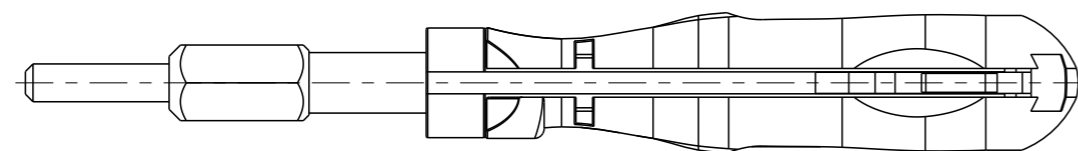
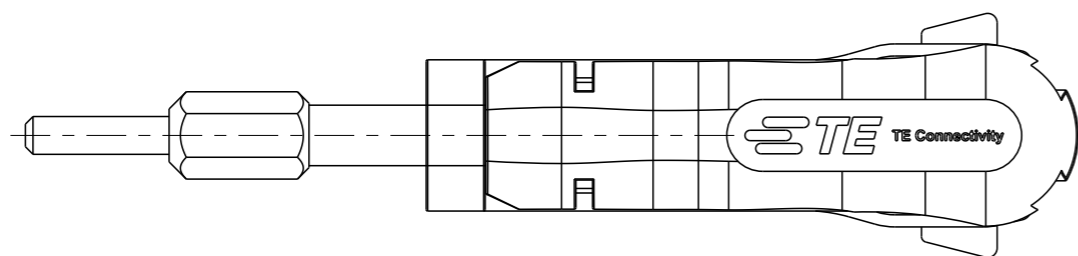
20

© COPYRIGHT 20 BY -

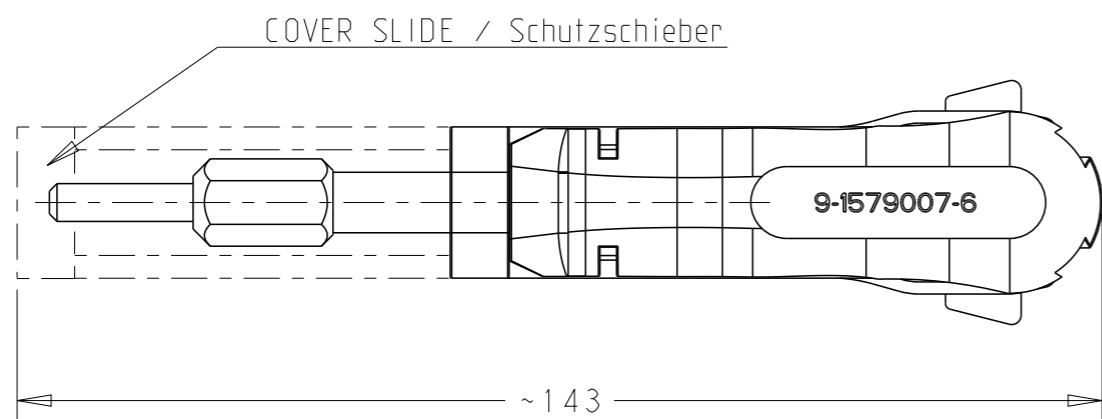
ALL RIGHTS RESERVED.

REVISIONS

P	LTR	DESCRIPTION	DATE	DWN	APVD
	A1	ECR-18-002120	13FEB2018	MG	BM



EXTRACTION TUBE / Entriegelungswerkzeug PN 9-1579007-8

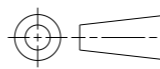


CONTACT / Kontakt: 926884 UNML-Socket

HOUSING / Gehäuse: CAVITY-dia. / Kammer-Ø5.0mm

THIS DRAWING IS A CONTROLLED DOCUMENT.

DIMENSIONS:  
mm



TOLERANCES UNLESS OTHERWISE SPECIFIED:

0 PLC	±-
1 PLC	±0.5
2 PLC	±0.13
3 PLC	±0.013
4 PLC	±0.0001
ANGLES	±-

MATERIAL

FINISH

DWN 25.05.2005

M. DeIp

CHK 25.05.2005

G. Stegmayer

APVD 25.05.2005

G. Stegmayer

PRODUCT SPEC

APPLICATION SPEC

WEIGHT

-

CUSTOMER DRAWING



NAME  
EXTRACTION TOOL  
Entriegelungswerkzeug

SIZE	CAGE CODE	DRAWING NO	RESTRICTED TO
------	-----------	------------	---------------

A3	00779	9-1579007-6	-
----	-------	-------------	---

SCALE	SHEET	OF	REV
1:1	1	1	A1