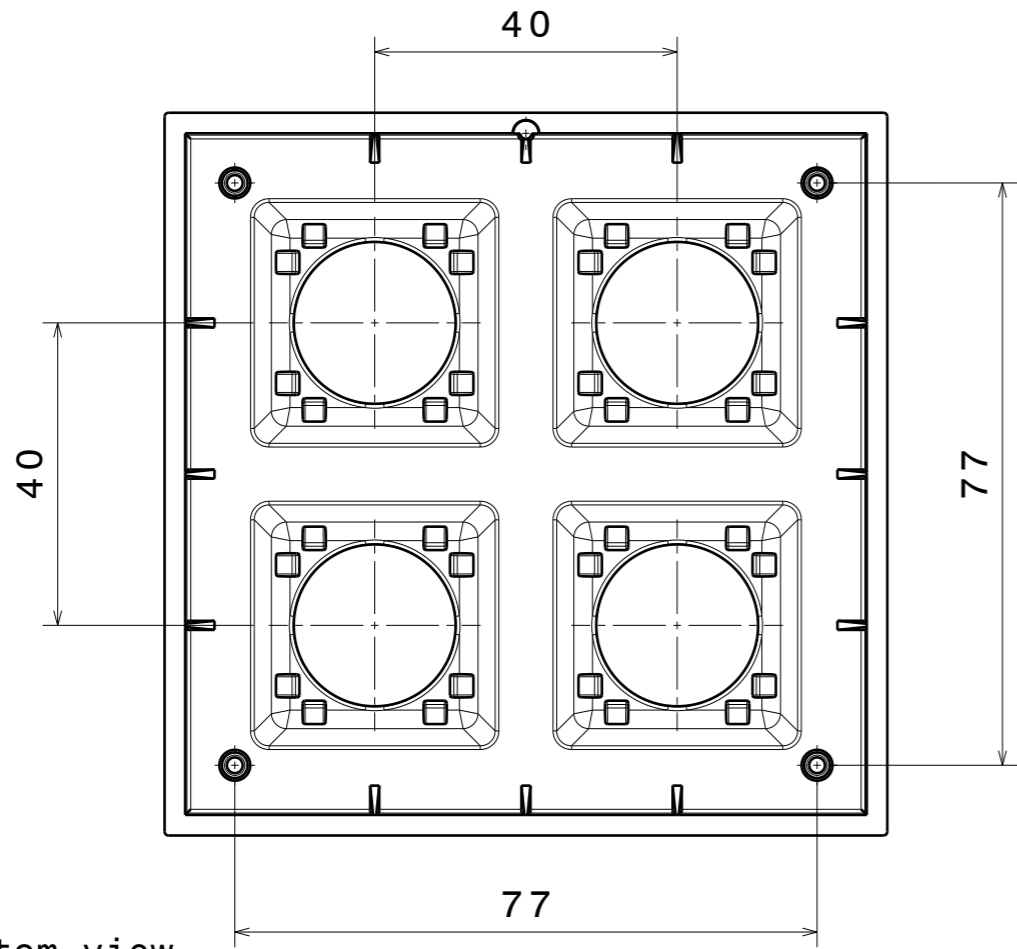
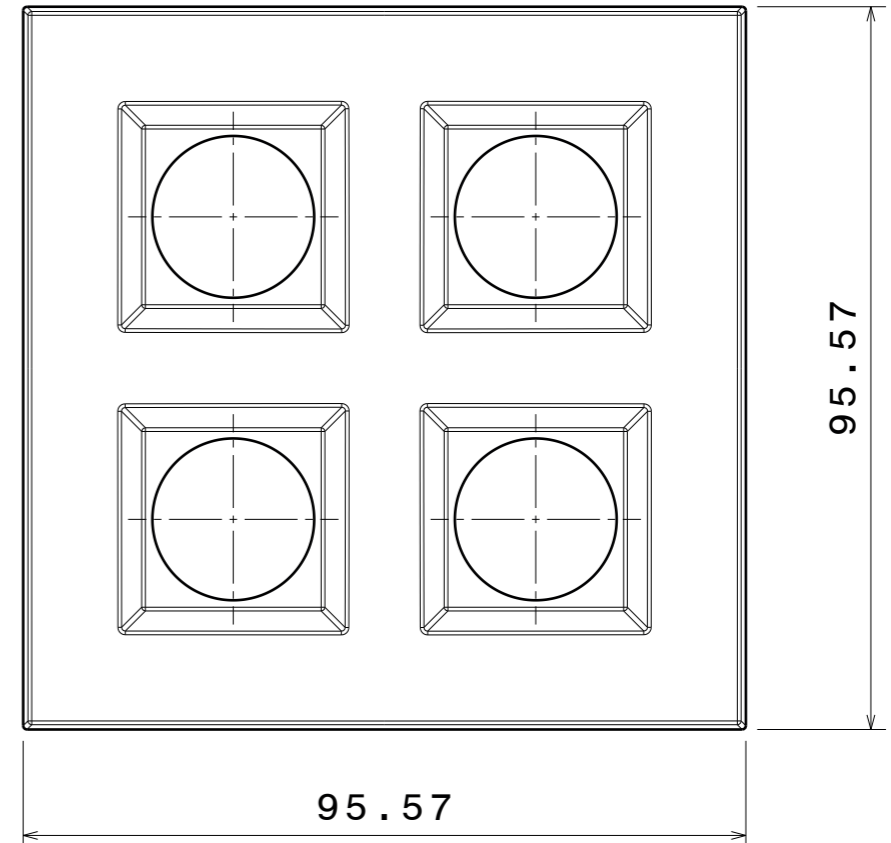


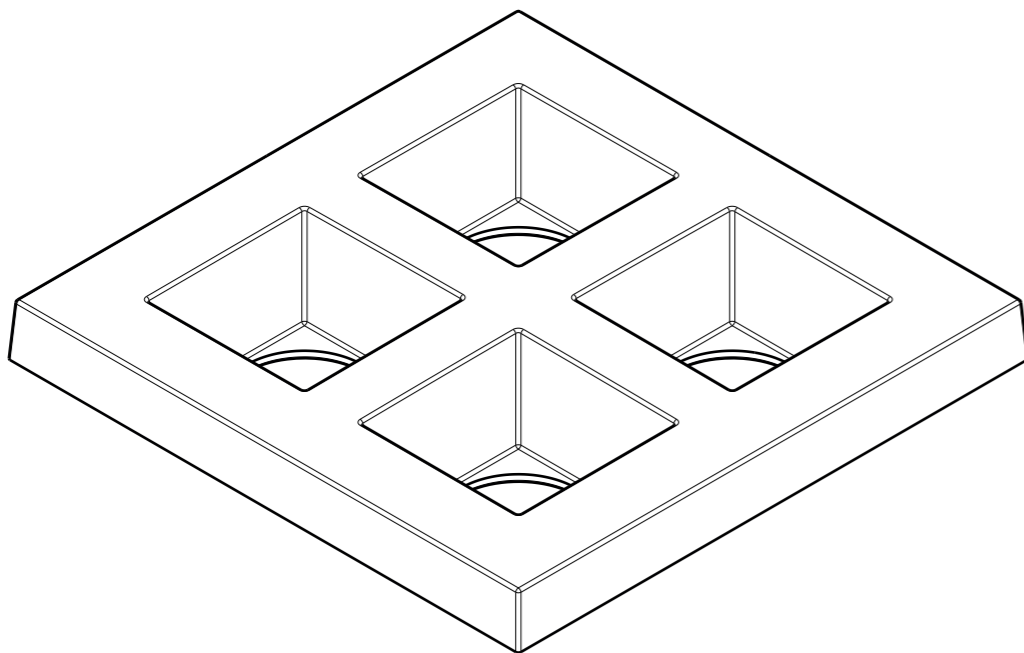
H G F E D C B A



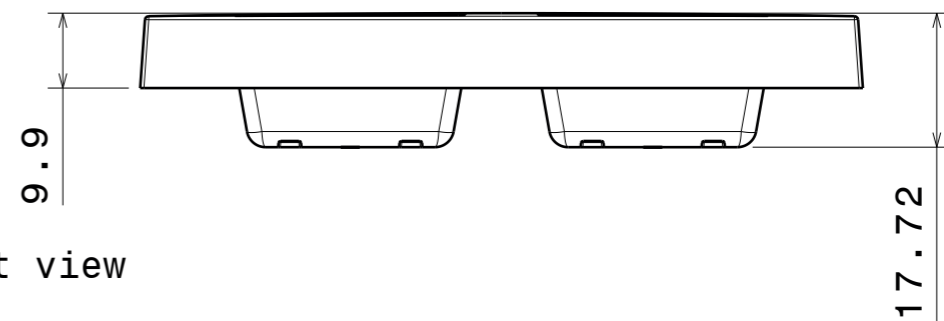
Bottom view



Top view



Isometric view



Front view

INDEX	PART NO	DESCRIPTION	MATERIAL	COLOUR
1	C14960	FLORENTINA-2X2-SHD-WHT	PC	white

Plastic moulding general tolerances according to DIN 16901-130 and applies if not otherwise shown in the drawing.  
Silicone moulding general tolerances according to ISO 3302-1 Class M3 and applies if not otherwise shown in the drawing.

**LEDiL** LediL Oy  
Salorankatu 10  
FIN 24240 SALO  
Finland

THIRD ANGLE PROJECTION:

DRAWING TITLE  
**C14960\_FLORENTINA-2X2-SHD-WHT**

This drawing is the property of LEDiL Oy. It may not be reproduced, copied or communicated without a written agreement with LEDiL Oy.

SIZE	PART NUMBER
<b>A3</b>	<b>C14960</b>

SCALE	1:1	WEIGHT	35,98 g	SHEET	1/1
-------	-----	--------	---------	-------	-----

H G B A