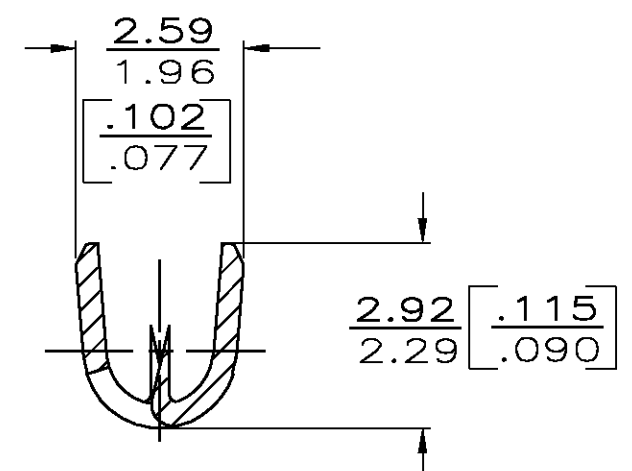
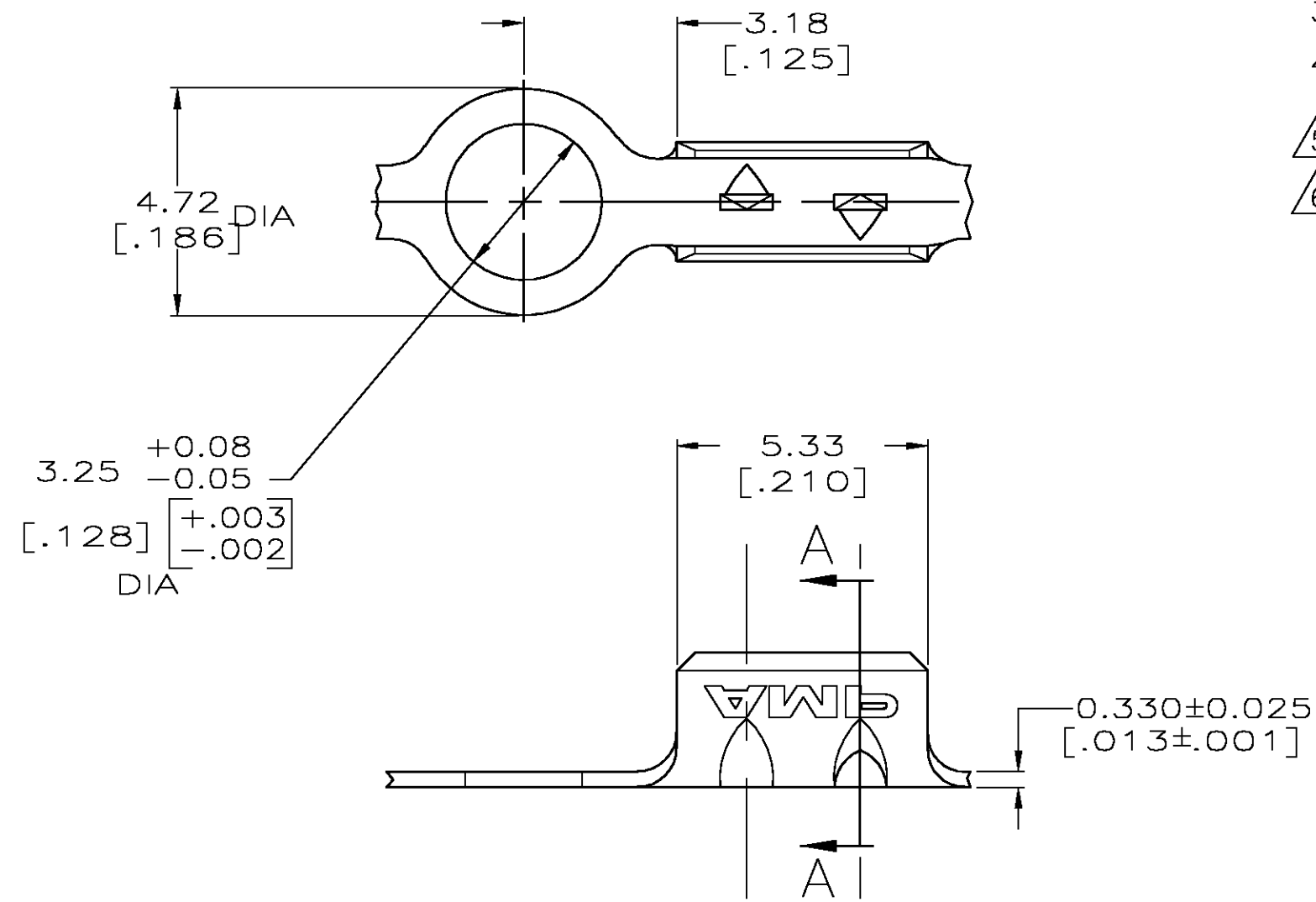


LOC	DIST	REVISIONS					
AF	50	P	LTR	DESCRIPTION	DATE	DWN	APVD
			T	REV PER 0G3A-0210-03	10APR03	JR	DD

- 1 CONTINUOUS STRIP ON REEL.
- 2 0.003302 [.000130] MAX PRE-TIN PL PER MIL-T-10727.
- 3 WIRE SIZE 22-20 AWG
- 4 INSULATION RANGE IS 1.27-1.65 [.050-.065] DIA
- 5 PACKAGED WITH PAPER
- 6 PRELIMINARY - NOT FOR PRODUCTION



SECTION A-A  
SCALE 10:1

2	5 6	41409-3
2		41409
FINISH		PART NO

THIS DRAWING IS A CONTROLLED DOCUMENT.		DWN PHILLIP M FORTNEY 6/15/94	Tyco Electronics Corporation Harrisburg, PA 17105	
DIMENSIONS: INCHES		CHK JEFF R RUTH 6/15/94	NAME RING, INSULATION PIERCING	
TOLERANCES UNLESS OTHERWISE SPECIFIED: 0 PLC ± - 1 PLC ± - 2 PLC ± 0.25 [.010] 3 PLC ± - 4 PLC ± - ANGLES ± -		APVD R KUZO 6/15/94	PRODUCT SPEC -	
MATERIAL 082 BRASS		FINISH -	APPLICATION SPEC -	RESTRICTED TO -
		WEIGHT -	SIZE A3	CAGE CODE 00779
		CUSTOMER DRAWING	DRAWING NO 41409	SCALE 8:1
			SHEET 1 OF 1	REV T