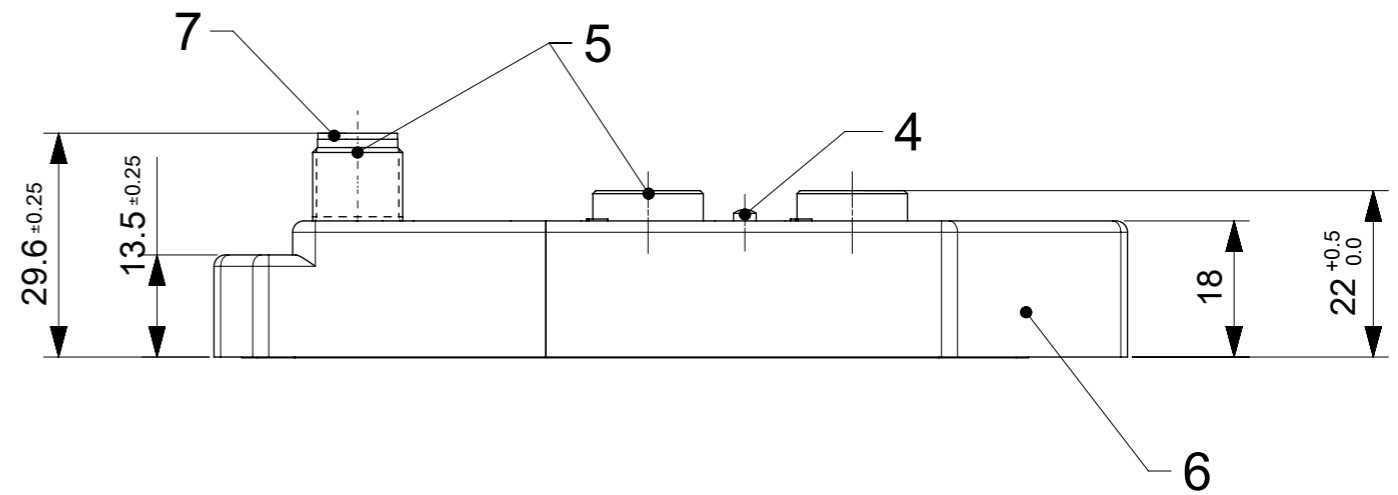
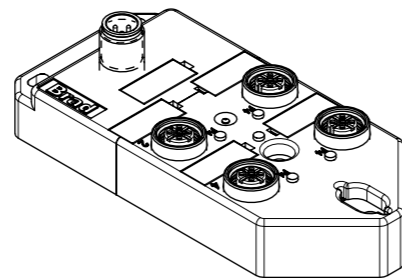
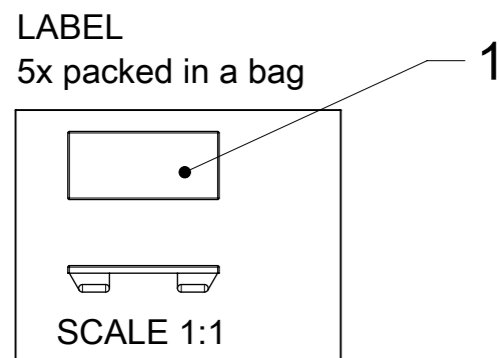
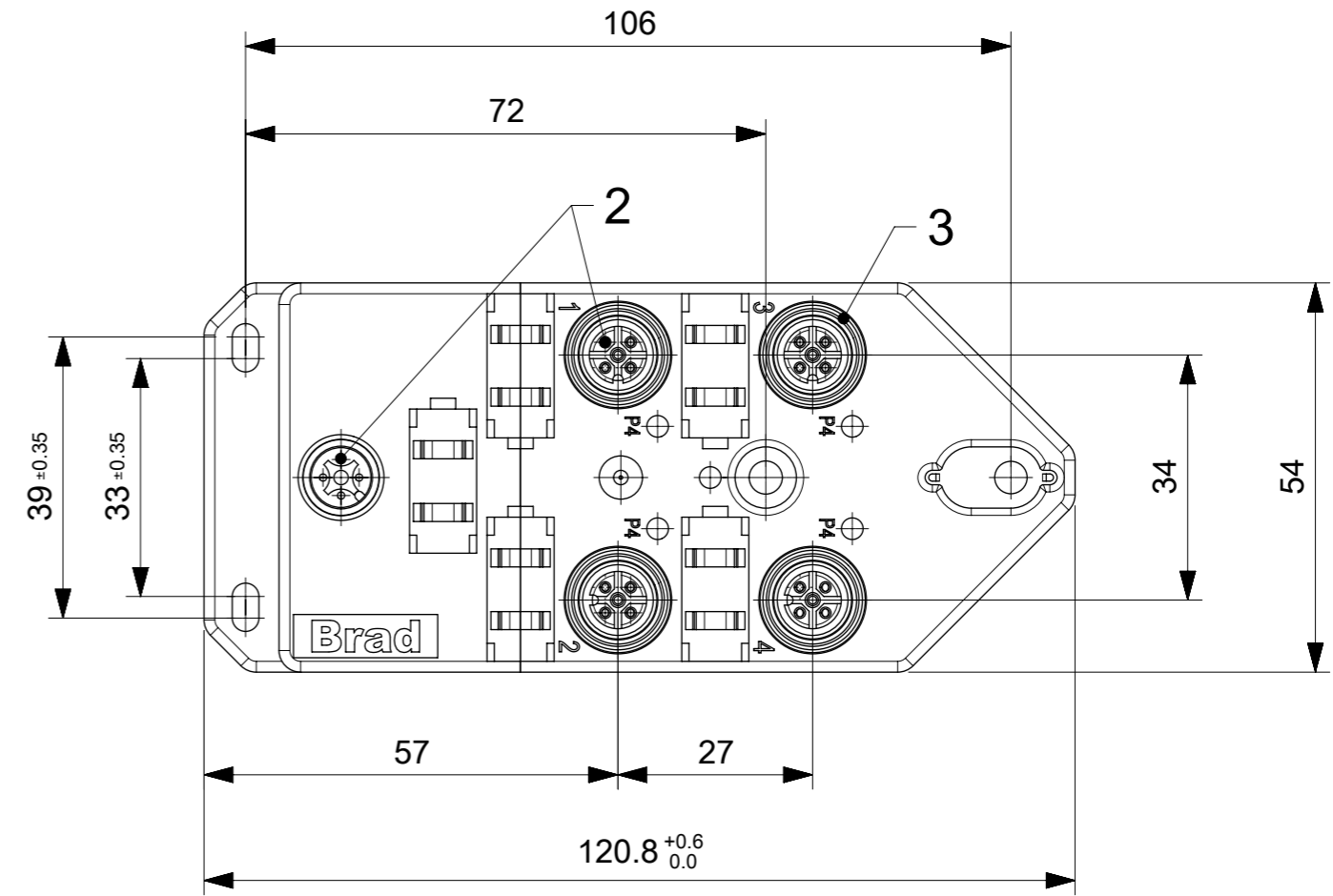


TABLE 1

| MOLEX P/N | ENG. NO. |
|------------|-------------|
| 1202480520 | BTR4300-FBF |

TABLE 2 BILL OF MATERIAL

| ITEM | DESCRIPTION | MATERIAL | FINISH |
|------|-------------|----------|------------------|
| 1 | LABEL | ABS | WHITE |
| 2 | CONTACT | BRASS | GOLD OVER NICKEL |
| 3 | O-RING | FPM | RED |
| 4 | LED | PA | RED |
| 5 | SHELL | BRASS | NICKEL PLATED |
| 6 | HOUSING | PBT | RED |
| 7 | INSERT | PUR | BK |



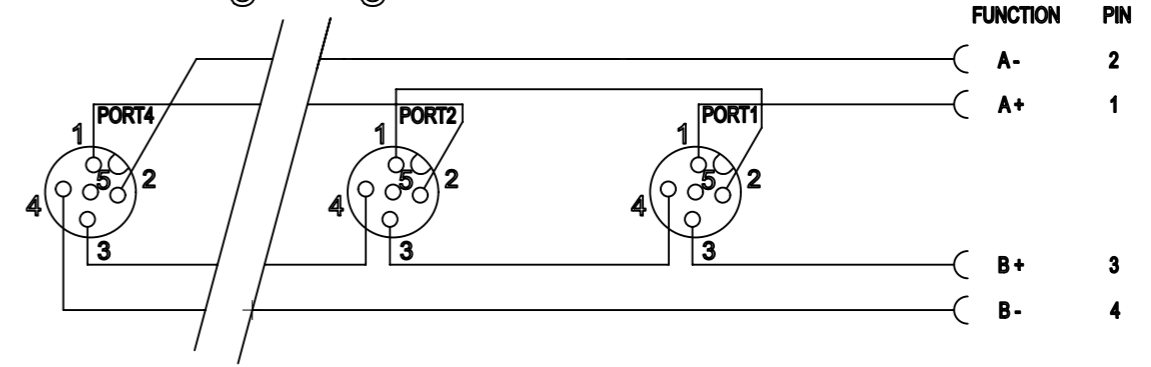
GENERAL CHARACTERISTICS: SCALE 1:2

ELECTRICAL AND MECHANICAL DATA ACC. TO IEC 61076-2-101

NOMINAL VOLTAGE: 10-30 V DC
 AMPERE RATING: 4 A PER PORT / 12 A MAX
 AMPERE RATING WITH UL REGISTRATION: 3 A PER PORT / 9 A MAX
 IP DEGREE OF PROTECTION: IP 67
 TEMPERATURE RANGE: -25°C to + 85°C

| | | | | | | | | | |
|---|--|---------------------------------------|------------------------|--------------------------|--|----------------|--------------|--|--|
| THIS DRAWING CONTAINS INFORMATION THAT IS PROPRIETARY TO MOLEX INCORPORATED AND SHOULD NOT BE USED WITHOUT WRITTEN PERMISSION | | | | | | | | | |
| EC DESCRIPTION EC NO: 103597 DRWN: SMORADICHARG 2016/03/17 CHK'D: RSILLER 2016/03/18 APPR: RSILLER 2016/03/18 | QUALITY SYMBOLS | GENERAL TOLERANCES (UNLESS SPECIFIED) | DIMENSION UNITS | SCALE | molex | | | | |
| | ▽ = 0 | ANGULAR TOL ± ° | mm | 1:1 | | | | | |
| | ▽ = 0 | 4 PLACES ± | DRWN BY | DATE | MPIS M12 SAFETY NOS 5P 4PT AC FE 4P MA AC RD STA SINGLE | | | | |
| | ▽ = 0 | 3 PLACES ± | ULETTENMEIER | 2015/04/28 | | | | | |
| ▽ = 0 | 2 PLACES ± | CHK'D BY | DATE | PRODUCT CUSTOMER DRAWING | | | | | |
| ▽ = 0 | 1 PLACE ± | APPR BY | DATE | | | | | | |
| ▽ = 0 | 0 PLACES ± 0.25 | RSILLER | 2015/12/23 | SERIES | MATERIAL NUMBER | CUSTOMER | | | |
| □ = 0 | DRAFT WHERE APPLICABLE MUST REMAIN WITHIN DIMENSIONS | DRAWING SIZE | THIRD ANGLE PROJECTION | 120248 | SEE TABLE 1 | GENERAL MARKET | | | |
| A1 | REV | A3 | | DOCUMENT NUMBER | DOC TYPE | DOC PART | SHEET NUMBER | | |
| | | | | 1202480520 | PSD | 000 | 1 OF 2 | | |

Wiring Diagram SERIALISING



THIS DRAWING CONTAINS INFORMATION THAT IS PROPRIETARY TO MOLEX INCORPORATED AND SHOULD NOT BE USED WITHOUT WRITTEN PERMISSION

| | | | | | | | | | | |
|---|---|---------------------------------------|--------------------|-------------------------|--------------|-------------------------------|--------------------------------|--|-----------------|------------------------|
| EC DESCRIPTION EC NO: 103597 DRWN: SMORADICHARG 2016/03/17 CHK'D: RSILLER 2016/03/18 APPR: RSILLER 2016/03/18 | QUALITY SYMBOLS ▽ = 0 ▽ = 0 ▽ = 0 ▼ = 0 ▽ = 0 ☒ = 0 ■ = 0 ▽ = 0 | GENERAL TOLERANCES (UNLESS SPECIFIED) | | DIMENSION UNITS mm | SCALE 1:1 | molex | | | | |
| | | ANGULAR TOL ± ° | | DRWN BY ULETTENMEIER | | DATE 2015/04/28 | | MPIS M12 SAFETY NOS 5P 4PT AC FE 4P MA AC RD STA SINGLE | | |
| | | 4 PLACES ± | 3 PLACES ± | CHK'D BY | | DATE | | | | |
| | | 2 PLACES ± | 1 PLACE ± | APPR BY RSILLER | | DATE 2015/12/23 | | PRODUCT CUSTOMER DRAWING | | |
| 0 PLACES ± 0.25 | DRAFT WHERE APPLICABLE MUST REMAIN WITHIN DIMENSIONS | | DRAWING SIZE A3 | THIRD ANGLE PROJECTION | | SERIES 120248 | MATERIAL NUMBER SEE TABLE 1 | CUSTOMER GENERAL MARKET | | |
| A1 | REV | | | | | DOCUMENT NUMBER 1202480520 | | DOC TYPE PSD | DOC PART 000 | SHEET NUMBER 2 OF 2 |