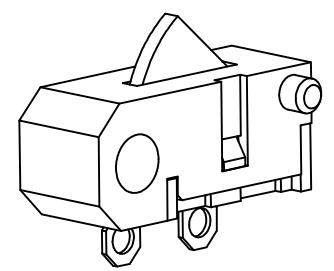
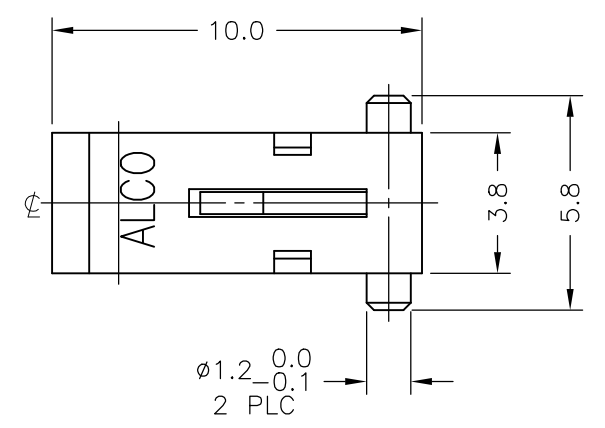
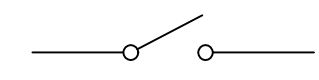


THIS DRAWING IS UNPUBLISHED. RELEASED FOR PUBLICATION
 © COPYRIGHT - TE Connectivity Ltd. ALL RIGHTS RESERVED.

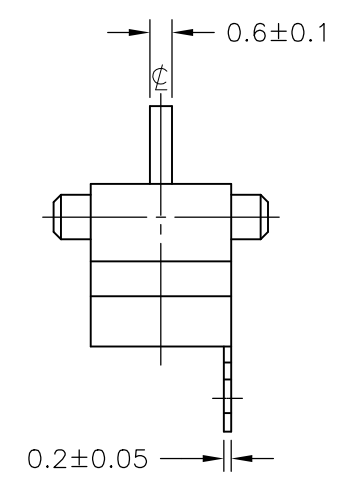
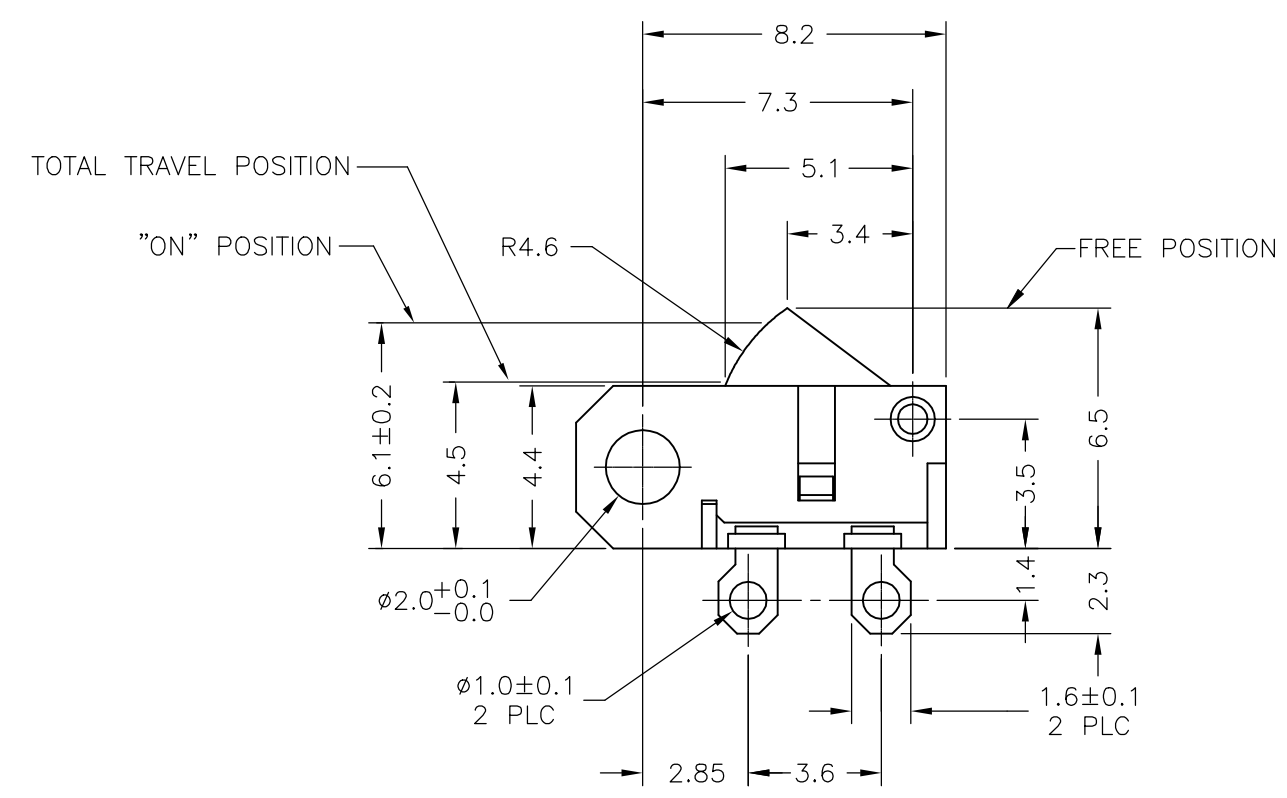
REVISIONS				
P	LTR	DESCRIPTION	DATE	DWN APVD
	A	ECR-18-012767	16AUG2018	RSM AS



SCHEMATIC (1P1T)



1. RATING: DC 5V, 1mA
2. CONTACT RESISTANCE: 500mΩ MAXIMUM
3. INSULATION RESISTANCE: 100 MΩ MINIMUM
4. WITHSTANDING VOLTAGE: AC 300V, 50 TO 60 Hz, 1 MINUTE
5. OPERATING FORCE: 40gf MAXIMUM
6. LIFE CYCLE: 100,000 CYCLES WITHOUT LOAD
7. OPERATING TEMPERATURE: -40 TO 85°C
8. COMPLIANCE: ALL MATERIALS AND FINISHES SHALL COMPLY WITH EU DIRECTIVE 2002/95/EC OF 27 JAN 2003 (RoHS).
9. MANUAL SOLDERING: 350°C MAXIMUM, 3 SECONDS MAXIMUM
10. PACKAGING QUANTITY: 200 SWITCHES PER BAG



JJOVOUL650NONPRBK	2331416-1
SMART PART NUMBER	PART NUMBER

THIS DRAWING IS A CONTROLLED DOCUMENT.		DWN 25APR2018 RAVI.S	TE Connectivity Ltd.	
DIMENSIONS: mm		CHK 25APR2018 ALEXANDER SHARPE		
TOLERANCES UNLESS OTHERWISE SPECIFIED:		APVD 25APR2018 ALEXANDER SHARPE	NAME DETECTOR SWITCH, JJO SERIES 10.0X3.8mm, VERTICAL	
0 PLC ± - 1 PLC ± 0.3 2 PLC ± - 3 PLC ± - 4 PLC ± - ANGLES ± -		PRODUCT SPEC -	SIZE A3	CAGE CODE 00779
MATERIAL -		FINISH -	DRAWING NO C-2331416	RESTRICTED TO -
CUSTOMER DRAWING			SCALE 5:1	SHEET 1 OF 2
			REV A	

4

3

2

1

THIS DRAWING IS UNPUBLISHED.

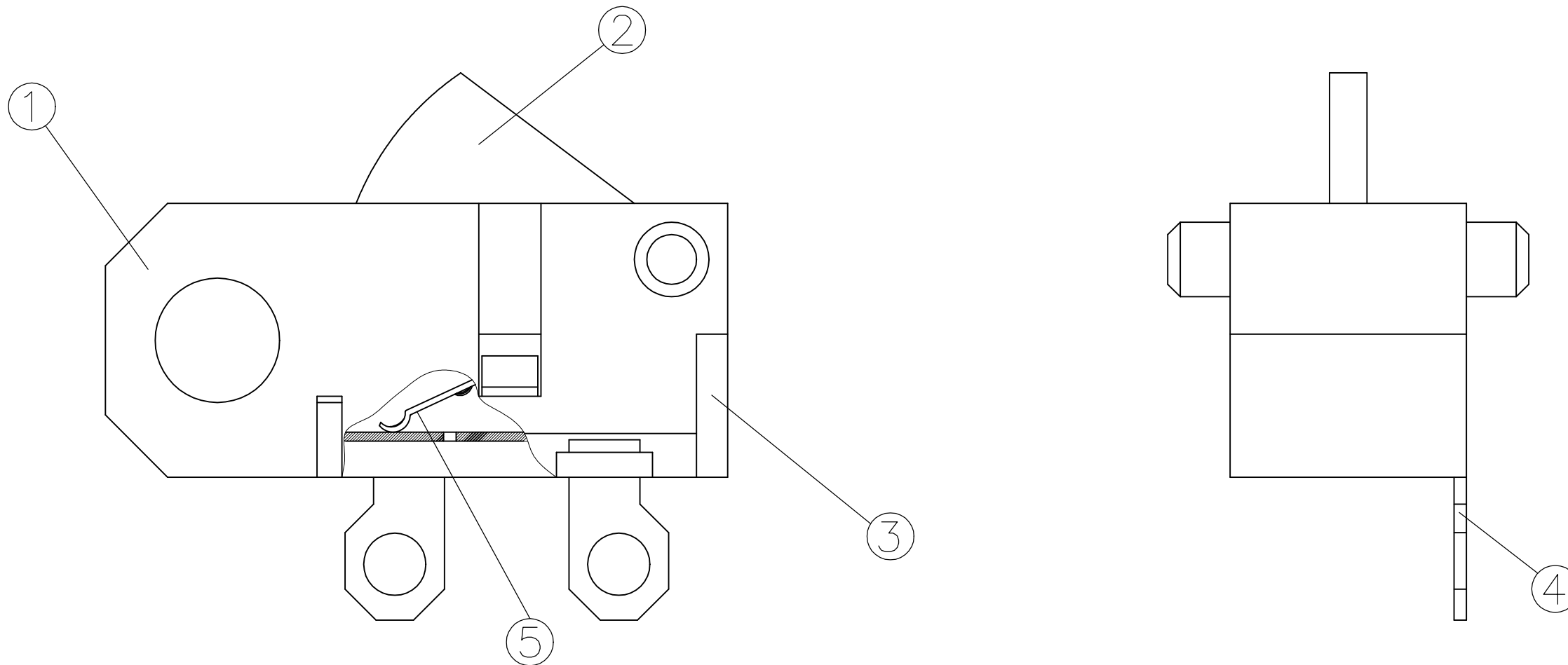
RELEASED FOR PUBLICATION

REVISIONS


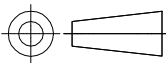
© COPYRIGHT - TE Connectivity Ltd.

ALL RIGHTS RESERVED.

P	LTR	DESCRIPTION	DATE	DWN	APVD
-	-	SEE SHEET 1	-	-	-



SILVER PLATE OVER NICKEL PLATE	COPPER ALLOY	CONTACT PLATE	5
SILVER PLATE OVER NICKEL PLATE	COPPER ALLOY	TERMINAL	4
BLACK	THERMOPLASTIC	BASE	3
BLACK	THERMOPLASTIC	ACTUATOR	2
BLACK	THERMOPLASTIC	FRAME	1
COLOR OR FINISH	MATERIAL	PART NAME	NO.

THIS DRAWING IS A CONTROLLED DOCUMENT.		DWN RAVI.S 25APR2018	 TE Connectivity Ltd.	
DIMENSIONS: mm		CHK ALEXANDER SHARPE 25APR2018		
		APVD ALEXANDER SHARPE 25APR2018	NAME DETECTOR SWITCH, JJO SERIES 10.0X3.8mm, VERTICAL	
TOLERANCES UNLESS OTHERWISE SPECIFIED:		PRODUCT SPEC	RESTRICTED TO	
0 PLC ± - 1 PLC ± 0.3 2 PLC ± - 3 PLC ± - 4 PLC ± - ANGLES ± -		APPLICATION SPEC	-	
MATERIAL		WEIGHT	SIZE A3	CAGE CODE 00779
FINISH		CUSTOMER DRAWING	DRAWING NO C-2331416	REV A
			SCALE 12:1	SHEET 2 OF 2