



JOYSTICK

SKU:U024

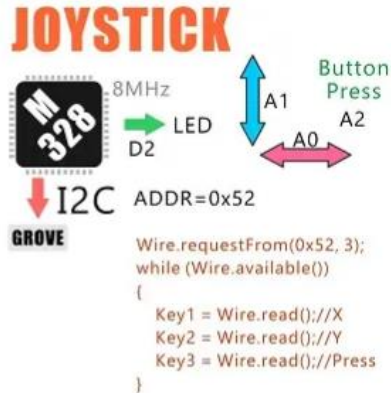


Description

JOYSTICK, we have two types of JOYSTICKs one is build on a panle compatible with FACES Kit, this is the M5Unit version of **JOYSTICK**

JOYSTICK is very similar to the 'analog' joystick on PS2 (PlayStation 2) controllers. The X and Y axes are two 10k potentiometers which control 2D movement by generating analog signals. The joystick also has a push button that could be used for special applications. Therefore, the entire Unit can output X-Y motion signals in both directions and Z direction.

As designed in the schematic, the Joystick X dimension is connected to pin A0 of MEGA328, the Joystick Y dimension is connected to pin A1 on MEGA328, the Joystick Z dimension is connected to pin A2 on MEGA328.



This Unit communicates with the M5Core via the GROVE A interface. It's I2C address is 0x52. By reading the data transferred from JOSTICK, you can obtain the motion information of JOYSTICK.

Product Features

- Output value of X, Y direction: 10 ~ 250
- Output value of Z direction is (0: released; 1: pressed)
- Software Development Platform : Arduino, UIFlow(Blockly, Python)
- Two Lego-compatible holes
- Product Size : 48.2mm x 24.2mm x 22.5mm
- Product weight : 11.4g

Include

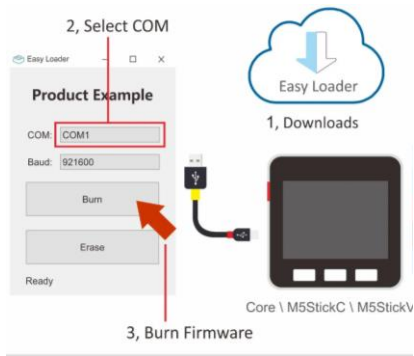
- 1x JOYSTICK Unit
- 1x Grove Cable

Applications

- Game Controller
- Robot remote control

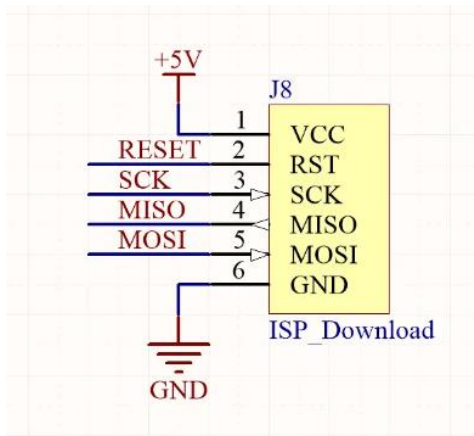
EasyLoader

EasyLoader is a concise and fast program writer, which has a built-in case program related to the product. It can be burned to the main control by simple steps to perform a series of function verification. Please install the corresponding driver according to the device type. M5Core host [Please click here to view the CP210X driver installation tutorial](#), M5StickC/V/T/ATOM series can be used without driver)



PinMap

Mega328 ISPDownload interface Pin foot definition



Example

1. Arduino IDE

The code below is incomplete(just for usage).To get complete code, please click [here](#)

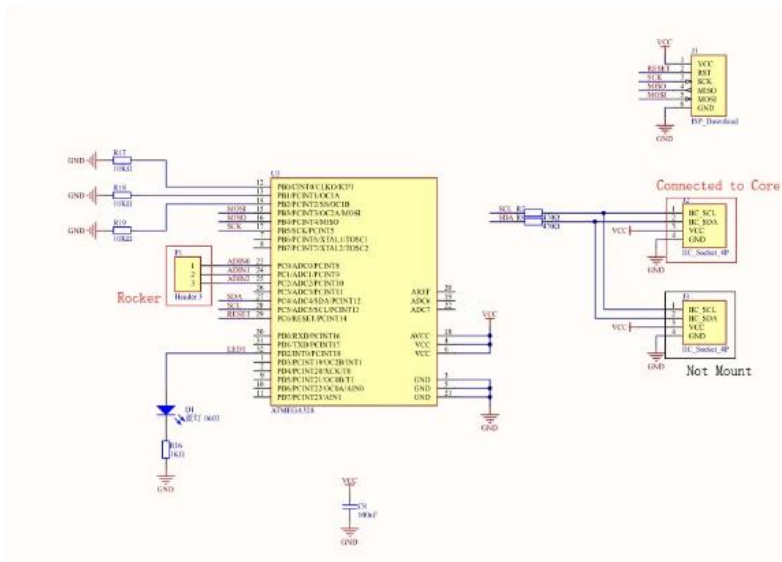


2. UIFlow

To get complete code, please click [here](#)



Schematic



PinMap

M5Core(GROVE A)	GPIO22	GPIO21	5V	GND
JOYSTICK Unit	SCL	SDA	5V	GND

<https://docs.m5stack.com/#/en/unit/joystick/4-10-20>