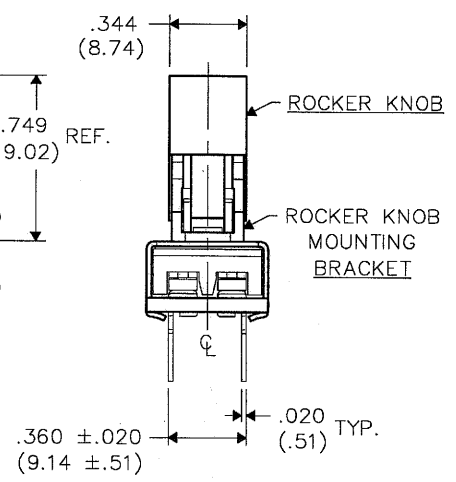
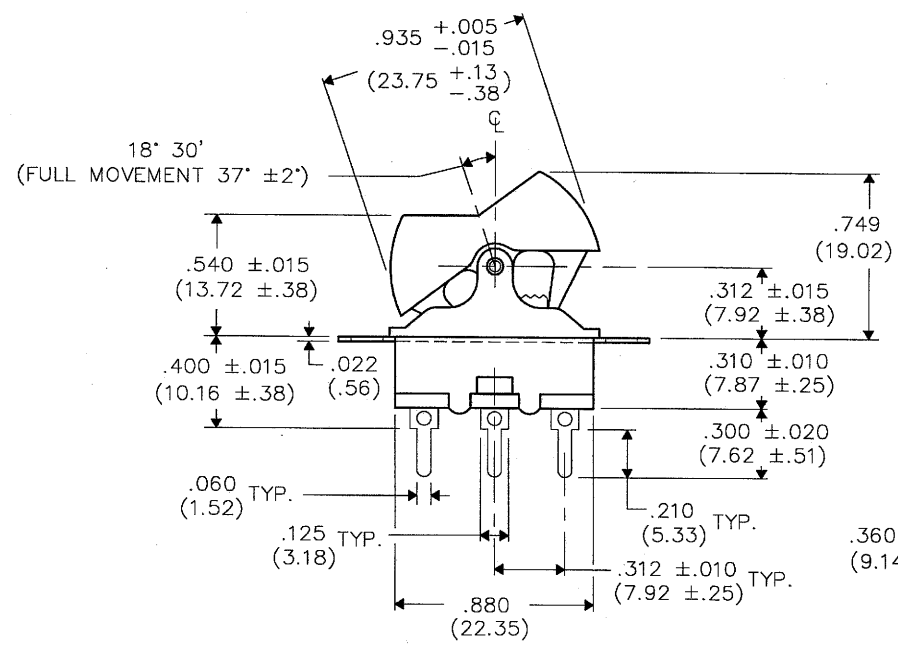
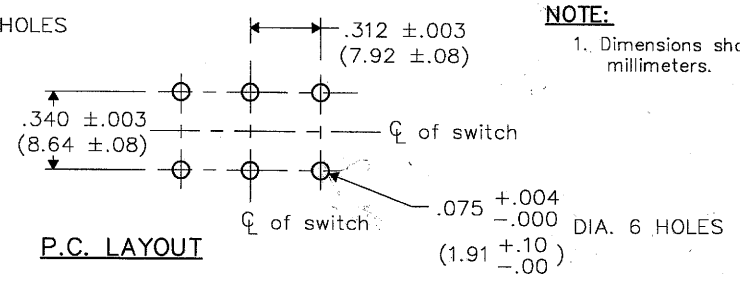
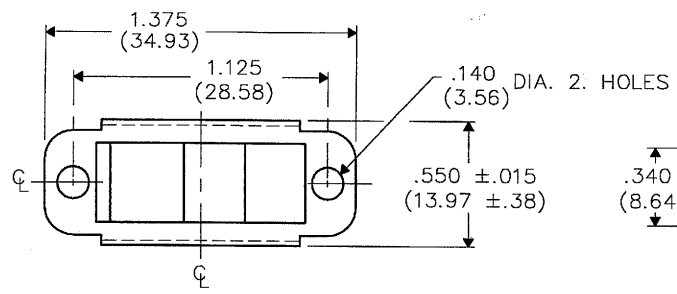


DIMENSIONS IN INCHES (MILLIMETERS)
DO NOT SCALE DRAWING

Dwg. No.
GR5-626-6010



FORM-B
REVISIONS
0
RELEASED
DGW 2-13-95
C.A. 2/15/95

CW INDUSTRIES
Southampton, Pa. 18966

TOLERANCES UNLESS OTHERWISE SPECIFIED

2 Place decimal ±.010	METRIC
3 Place decimal ±.005	1 Place dec. ±.25mm
Angles ± 1°	2 Place dec. ±.13mm

Made for: CW IND.
Drawn by: DGW 2-13-95
Checked by: G. GULD 2-14-95
Approval: C. Ammi 2/14/95

Title:
SWITCH ASSEMBLY
D.P. - D.T.

Division:
SWITCH

Dwg. No.
GR5-626-6010

MASTER