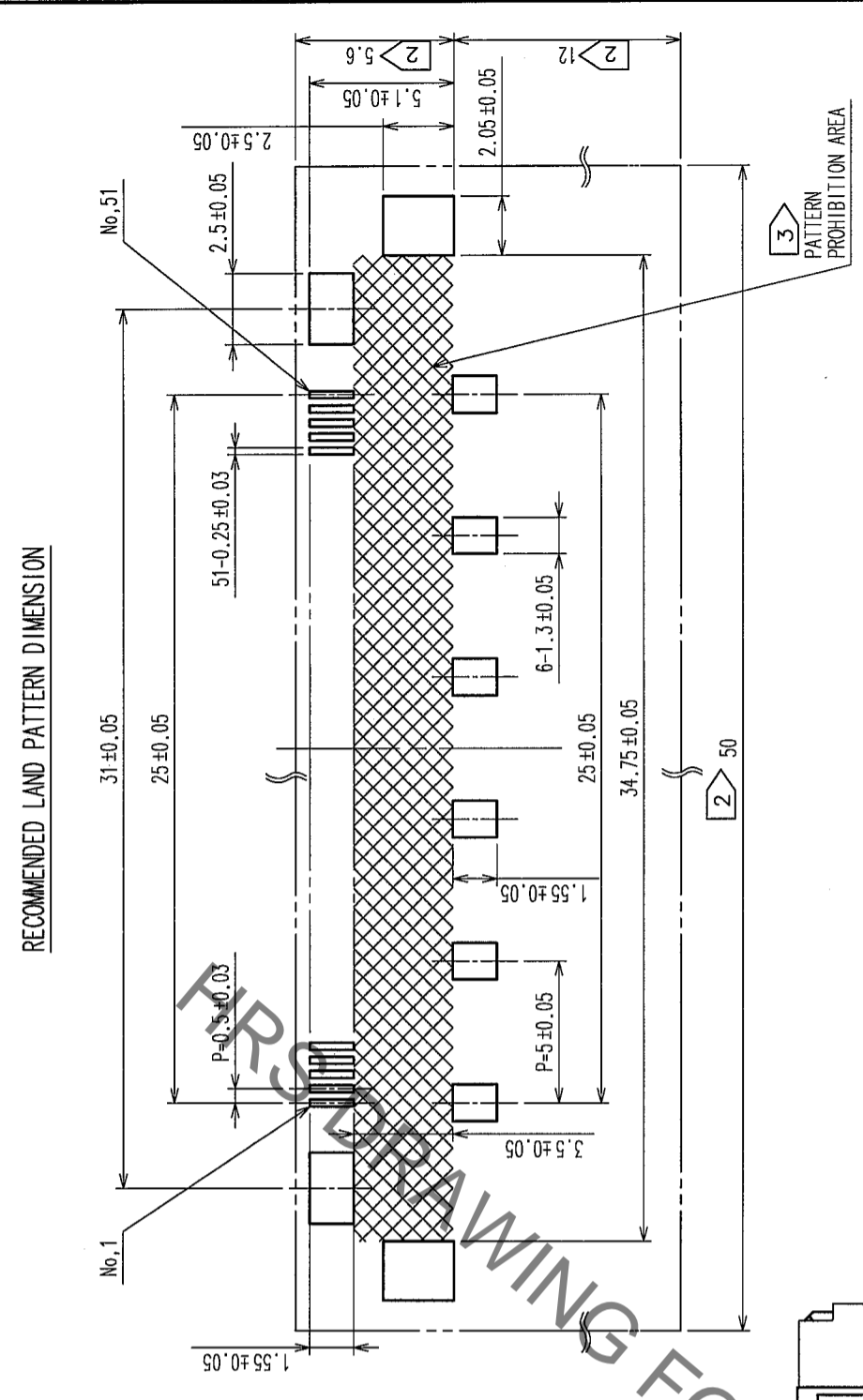
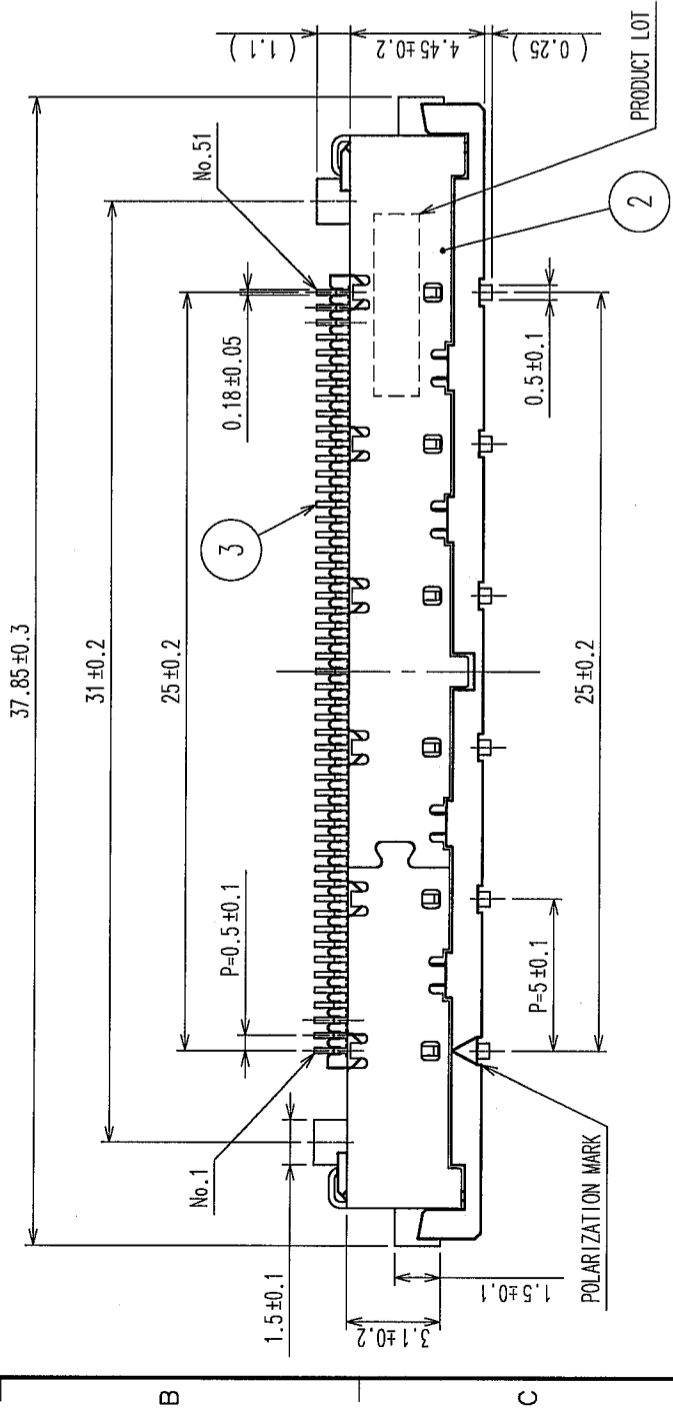
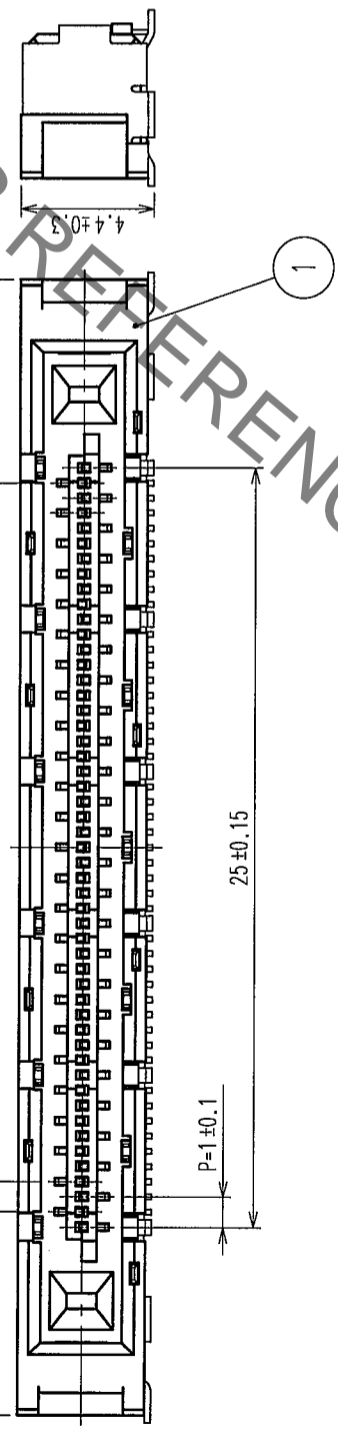


| COUNT | DESCRIPTION OF REVISIONS | BY | CHKD | DATE | COUNT | DESCRIPTION OF REVISIONS | BY | CHKD | DATE |
|-------|--------------------------|----|------|------|-------|--------------------------|----|------|------|
| | | | | | | | | | |
| | | | | | | | | | |
| | | | | | | | | | |



RECOMMENDED LAND PATTERN DIMENSION



NOTE 1 LEAD CO-PLANARITY OF THIS PRODUCT TO BE 0.1MAX.

2 DO NOT MOUNT OTHER DEVICES ONTO [] AREA, OR MATINGPAIR CANNOT BE MATED AND OPERATED THE LOCK PARTS.

3 [] AREA OF INNER SMT LAND REQUIRES PATTERN PROHIBITION OR RESIST TREATMENT TO PREVENT THE PATTERN TOUCHING TO THE CONTACTS.

4 PACKAGING FOR THIS PRODUCT APPLIES EMBOSSED CARRIER TAPE PACKAGING. SEE SHEET 2/2 FOR DETAILS.

5 FINE SCRATCHES COULD BE FOUND ON THE SURFACE OF REF. ⊙GROUND PLATE, WHICH DOES NOT AFFECT THE PERFORMANCE.

| NO. | MATERIAL | FINISH, REMARKS | NO. | MATERIAL | FINISH, REMARKS |
|---------------------------------|-----------------|-----------------|---------------------------------|--------------|-----------------|
| 2 | STAINLESS STEEL | TIN PLATING | 3 | COPPER ALLOY | |
| 1 | PA | BLACK, UL94 V-0 | | | |
| CONTACT AREA: GOLD 0.1μm min. | | | LEAD AREA: TIN PLATING 1μm min. | | |
| UNDER PLATING: NICKEL 0.5μm min | | | FINISH, REMARKS | | |

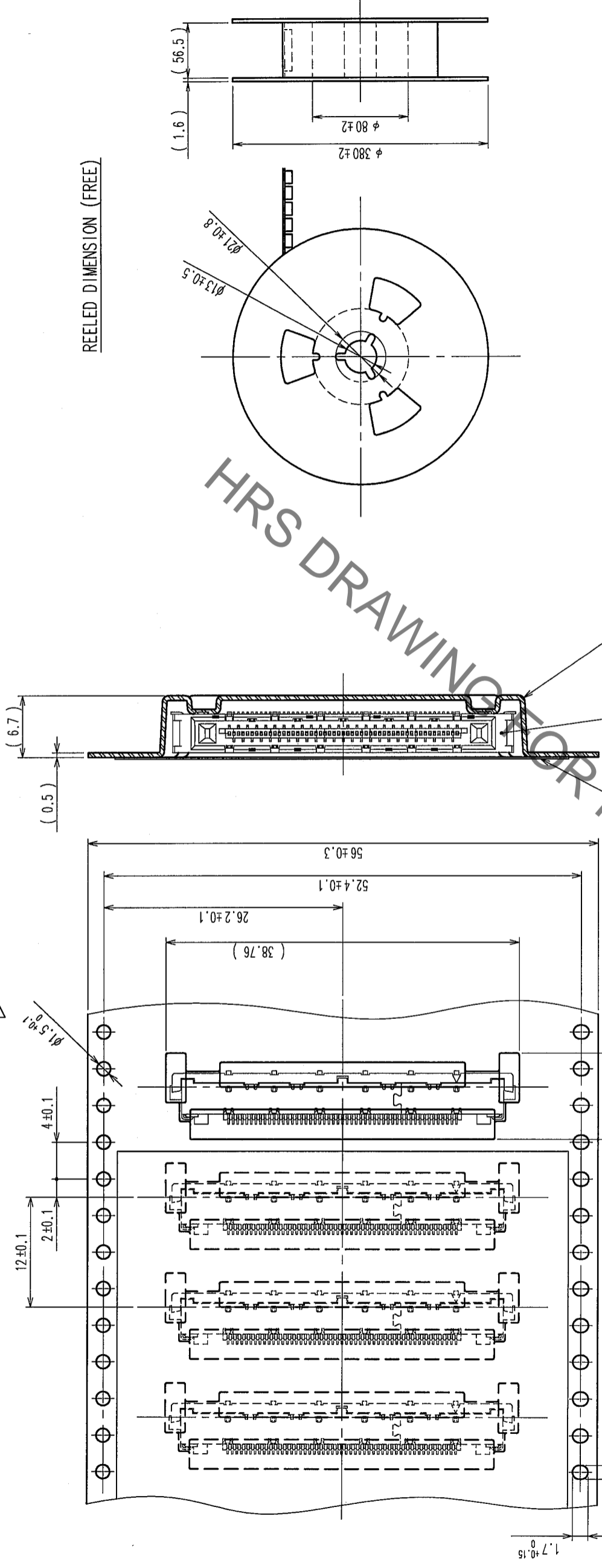
| CODE NO. (OLD) | DRAWN | DESIGNED | CHECKED | APPROVED | RELEASED |
|----------------|----------------------|----------------------|--------------------------|-----------------------|----------|
| | T. NODA '07.07.26 | T. Noda '07.07.26 | E. Nakatani '07.07.26 | H. Okawa '07.07.26 | |

| DRAWING NO. | PART NO. |
|-------------|------------------|
| EDC3-156704 | FX15SC-51S-0.5SH |

| SCALE | UNITS | CODE NO. |
|-------|-------|--------------|
| 4 : 1 | mm | CL575-2311-5 |

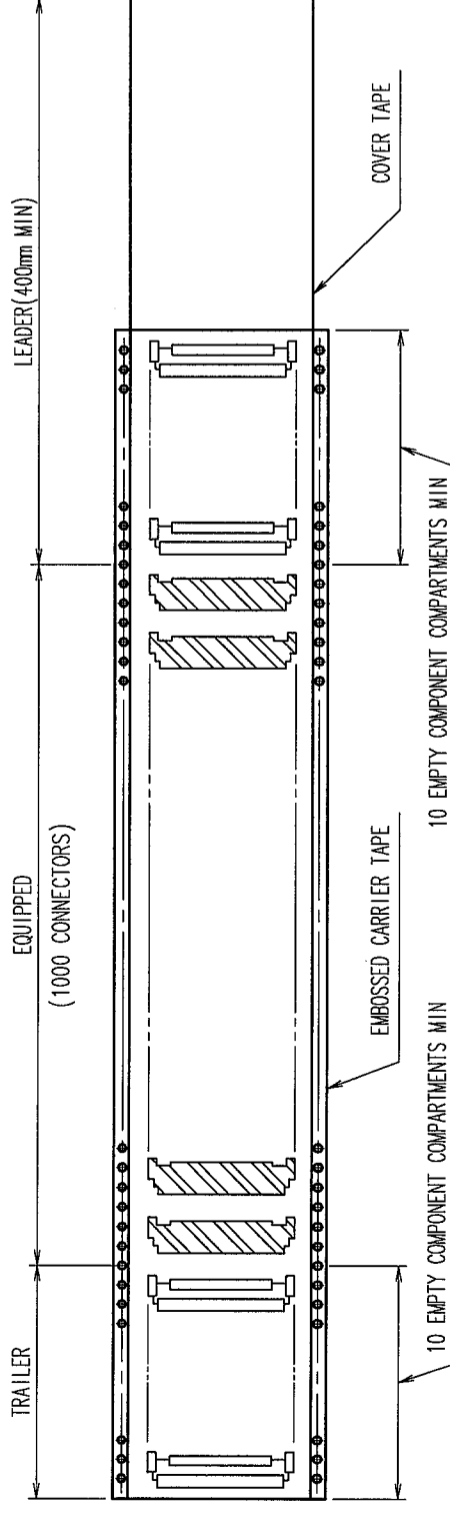
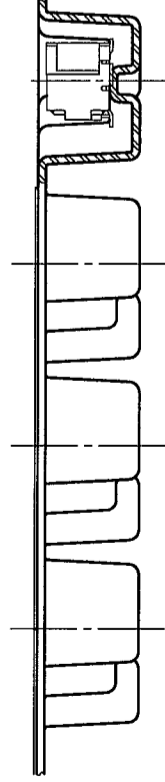
| COUNT | DESCRIPTION OF REVISIONS | BY | CHKD | DATE | COUNT | DESCRIPTION OF REVISIONS | BY | CHKD | DATE |
|-------|--------------------------|----|------|------|-------|--------------------------|----|------|------|
| △ | | | | | △ | | | | |
| △ | | | | | △ | | | | |
| △ | | | | | △ | | | | |

THE DIRECTION OF PULLING OUT



REELED DIMENSION (FREE)

HRS DRAWING FOR REFERENCE



| NO. | MATERIAL | FINISH, REMARKS | NO. | MATERIAL | FINISH, REMARKS |
|-----|----------|-------------------------|----------|----------|-----------------|
| 3 | - | (CONNECTOR) | DESIGNED | DESIGNED | DESIGNED |
| 2 | PE | (COVER TAPE) | CHECKED | CHECKED | CHECKED |
| 1 | PS | (EMBOSSED CARRIER TAPE) | DRAWN | DRAWN | DRAWN |

| | | | | | | |
|----------------|-----------------|-----------|-----------|-------------|-----------|----------|
| CODE NO. (OLD) | FINISH, REMARKS | DRAWN | DESIGNED | CHECKED | APPROVED | RELEASED |
| | | T. NODA | T. NODA | E. Nakatani | H. Okawa | |
| | | '07.07.26 | '07.07.26 | '07.07.26 | '07.07.26 | |

| | |
|-------------|------------------|
| DRAWING NO. | PART NO. |
| EDC3-156704 | FX15SC-51S-0.5SH |
| SCALE | CODE NO. |
| 2 : 1 | CL575-2311-5 |
| UNITS | |
| mm | |

TO