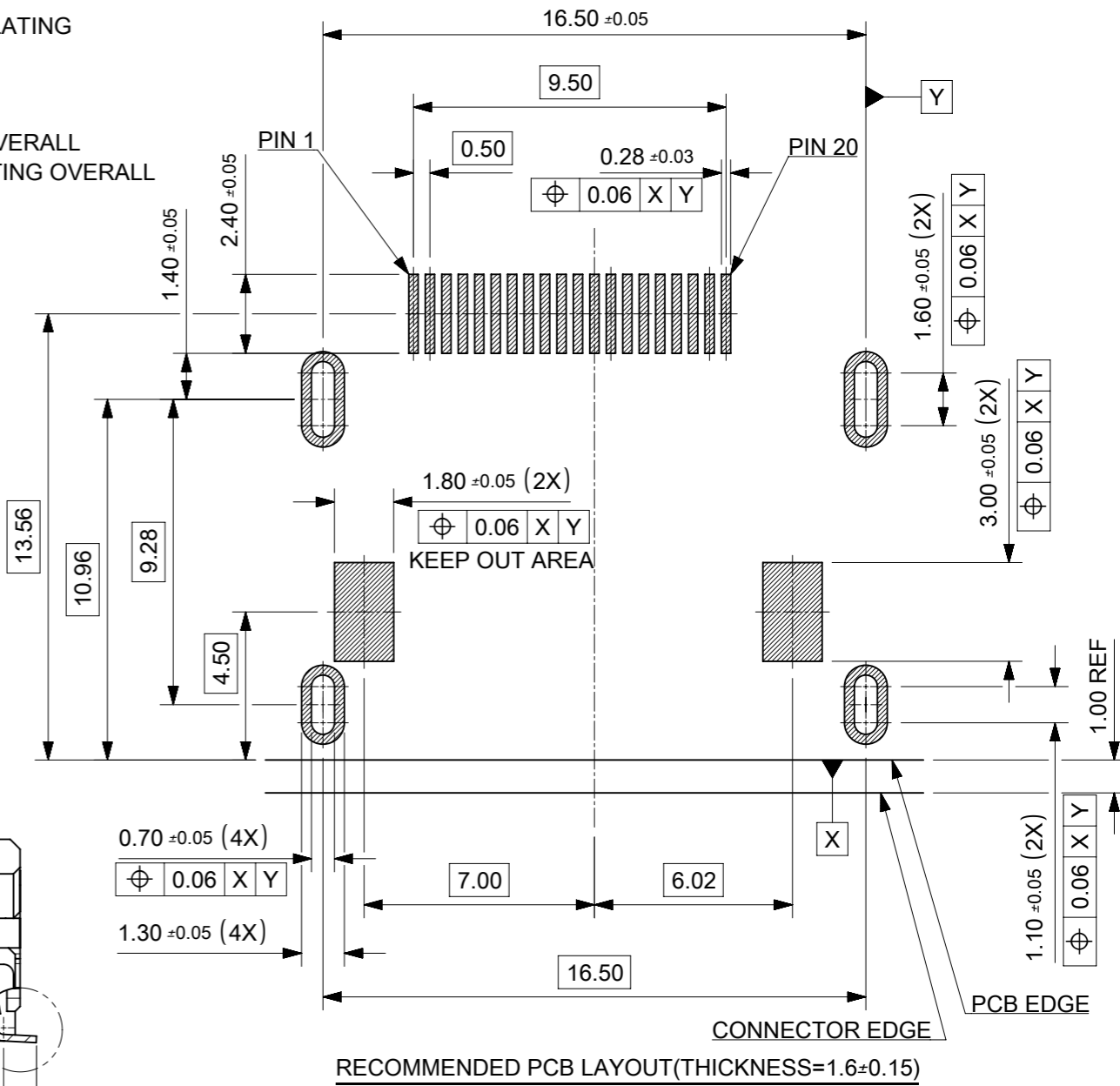
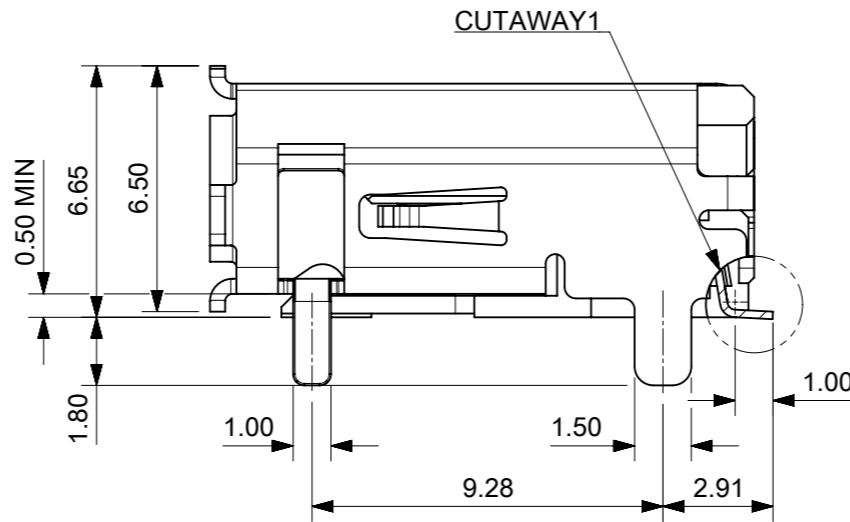
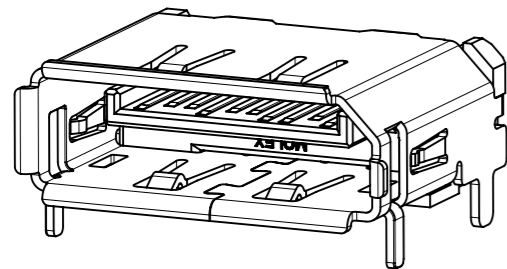
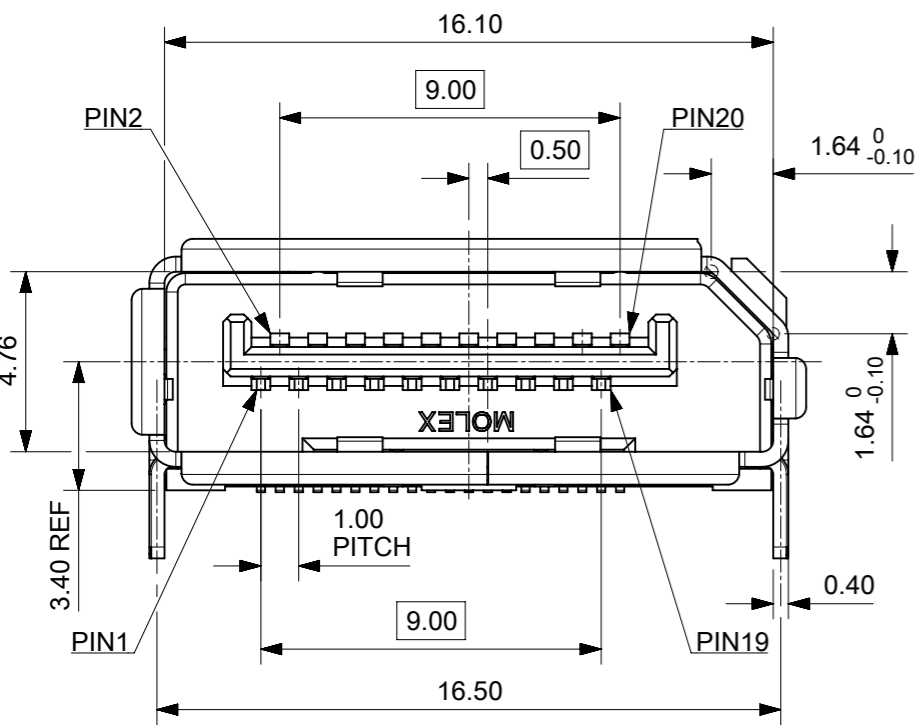
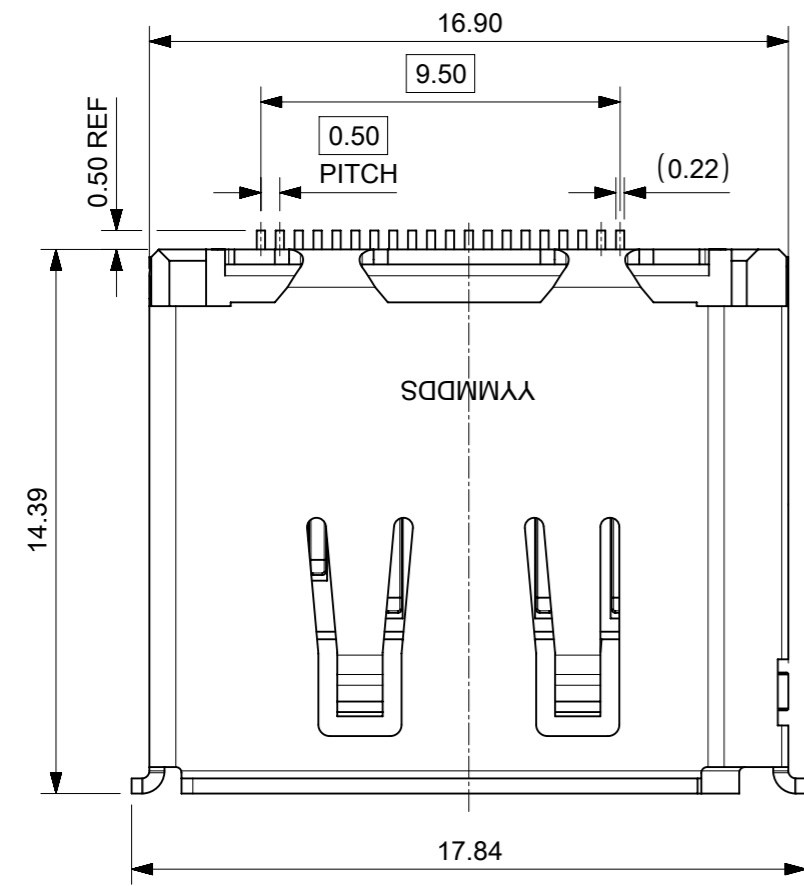
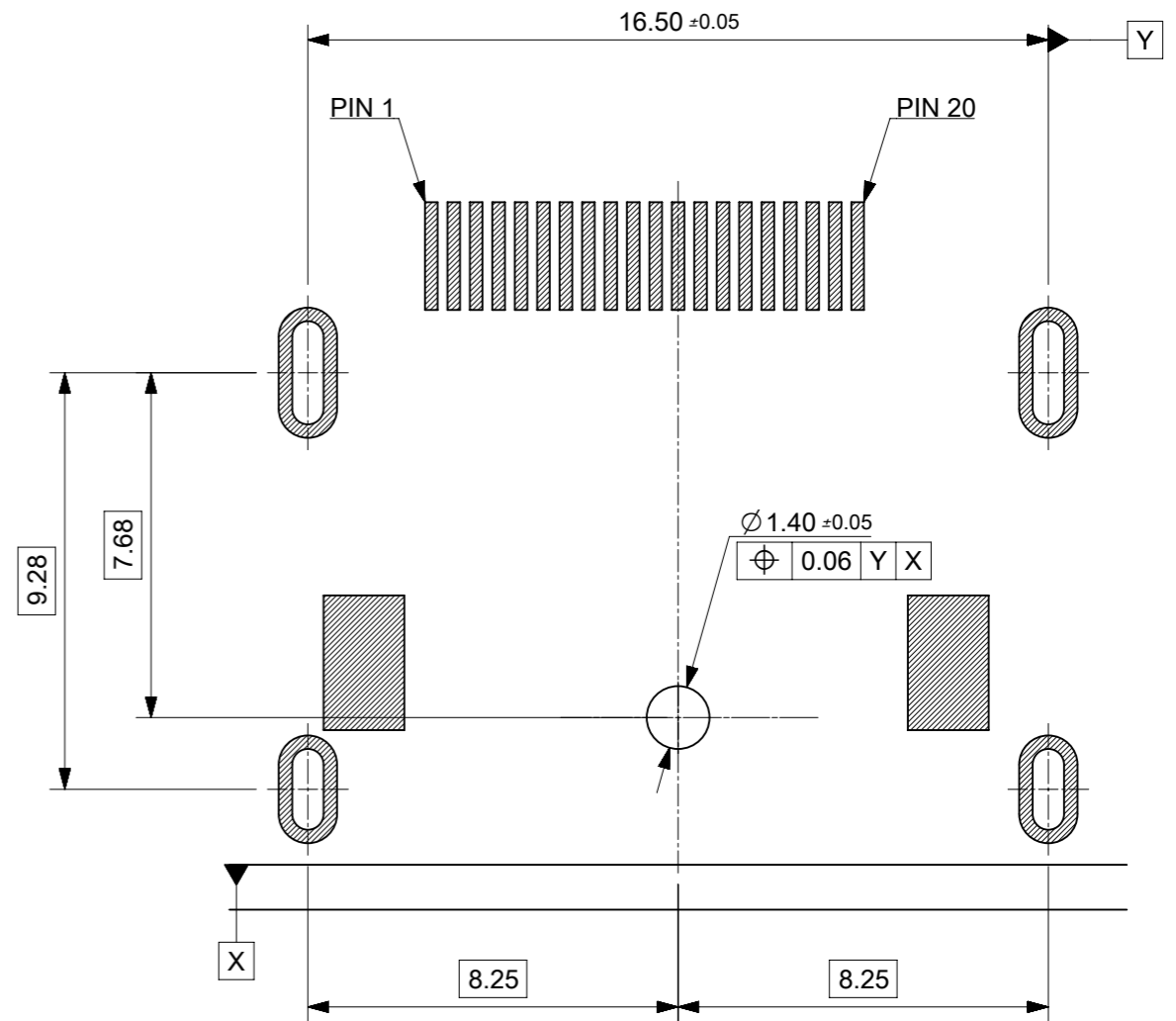
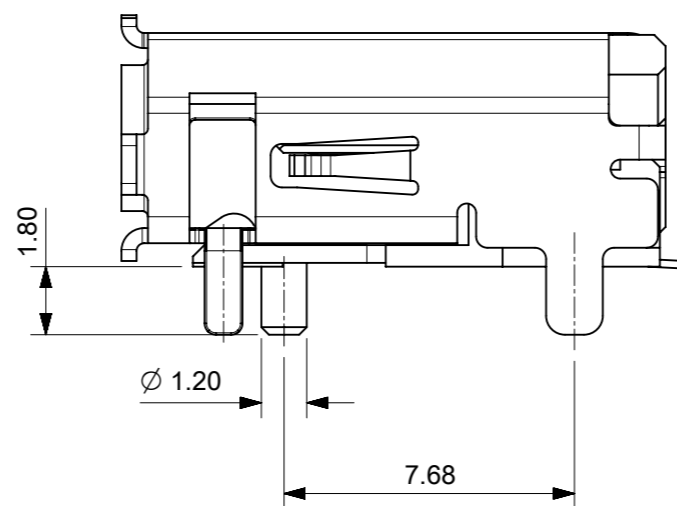
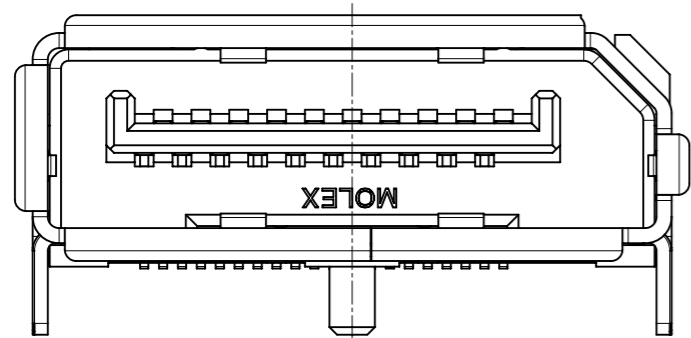
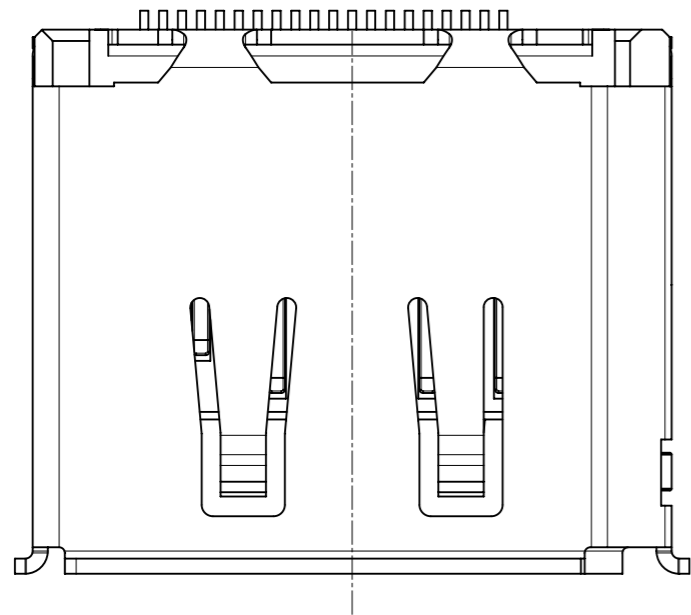


NOTES:  
 1.MATERIAL:  
 HOUSING:HIGH TEMPERATURE THERMAL PLASTIC,BLACK,30 GLASS FILLED, UL94V-0.  
 TERMINAL: COPPER ALLOY.  
 SHELL: COPPER ALLOY.  
 2.PLATING:  
 TERMINAL:CONTACT AREA : (1) 0.76MICROMETER GOLD PLATING  
 (2) GOLD FLASH PLATING  
 AND SOLDER TAIL(a) 1~3MICROMETER MATT TIN PLATING  
 (b)GOLD FLSAH PLATING  
 UNDER PLATING: 1 MICROMETER MIN. NICKEL PLATING OVERALL  
 SHELL:1.27~2.54 MICROMETER SOLDERABLE NICKEL PLATING OVERALL  
 3. SOLDER TAIL COPLANARITY 0.10MAX.  
 4. PRODUCT SPECIFICATION REFER TO PS-47272-001  
 5. PACKAGE SPECIFICATION REFER TO PK-105019-001



THIS DRAWING CONTAINS INFORMATION THAT IS PROPRIETARY TO MOLEX ELECTRONIC TECHNOLOGIES, LLC AND SHOULD NOT BE USED WITHOUT WRITTEN PERMISSION		CURRENT REV DESC: OBSOLETE PART NO.		<b>molex</b>	
DIMENSION UNITS	SCALE				
mm	5:1			1.0MM PITCH DISPLAY PORT REVERSE TYPE R/A RECEPTACLE	
GENERAL TOLERANCES (UNLESS SPECIFIED)				PRODUCT CUSTOMER DRAWING	
ANGULAR TOL	± 2.0°	EC NO:	632260	DOCUMENT NUMBER	SD-105019-001
4 PLACES	±	DRWN:	RPRABHUM 2020/02/10	DOC TYPE	PSD
3 PLACES	±	CHK'D:	GGA 2020/02/28	DOC PART	001
2 PLACES	± 0.25	APPR:	GGA 2020/02/28	REVISION	F
1 PLACE	± 0.25	INITIAL REVISION:		MATERIAL NUMBER	SEE TABLE
0 PLACES	±	DRWN:	HHE 2007/05/12	CUSTOMER	GENERAL MARKET
		APPR:	JNCHEN 2007/05/12	SHEET NUMBER	1 OF 2
DRAFT WHERE APPLICABLE MUST REMAIN WITHIN DIMENSIONS	THIRD ANGLE PROJECTION	DRAWING	A3-SIZE	SERIES	105019

P/N	POST	PLATING ON CONTACT AREA	PLATING ON SOLDEING TAIL
105019-0007	WITHOUT	SEE NOTE 2(1)	SEE NOTE 2(b)
105019-0008	WITHOUT	SEE NOTE 2(2)	SEE NOTE 2(b)



WITH POST

NOTES:  
1. UNSPECIFIED DIMENSION ARE SAME AS SHEET 1

THIS DRAWING CONTAINS INFORMATION THAT IS PROPRIETARY TO MOLEX ELECTRONIC TECHNOLOGIES, LLC AND SHOULD NOT BE USED WITHOUT WRITTEN PERMISSION									
DIMENSION UNITS	SCALE	CURRENT REV DESC: OBSOLETE PART NO.			<b>molex</b>				
mm	5:1								
GENERAL TOLERANCES (UNLESS SPECIFIED)					1.0MM PITCH DISPLAY PORT REVERSE TYPE R/A RECEPTACLE				
ANGULAR TOL	± 2.0 °	EC NO: 632260			PRODUCT CUSTOMER DRAWING				
4 PLACES	±	DRWN: RPRABHUM 2020/02/10			DOCUMENT NUMBER				
3 PLACES	±	CHK'D: GGA 2020/02/28			SD-105019-001				
2 PLACES	± 0.25	APPR: GGA 2020/02/28			DOC TYPE DOC PART REVISION				
1 PLACE	± 0.25	INITIAL REVISION:			PSD 001 F				
0 PLACES	±	DRWN: HHE 2007/05/12							
DRAFT WHERE APPLICABLE MUST REMAIN WITHIN DIMENSIONS		THIRD ANGLE PROJECTION		DRAWING	SERIES	MATERIAL NUMBER	CUSTOMER		SHEET NUMBER
				A3-SIZE	105019	SEE TABLE	GENERAL MARKET		2 OF 2