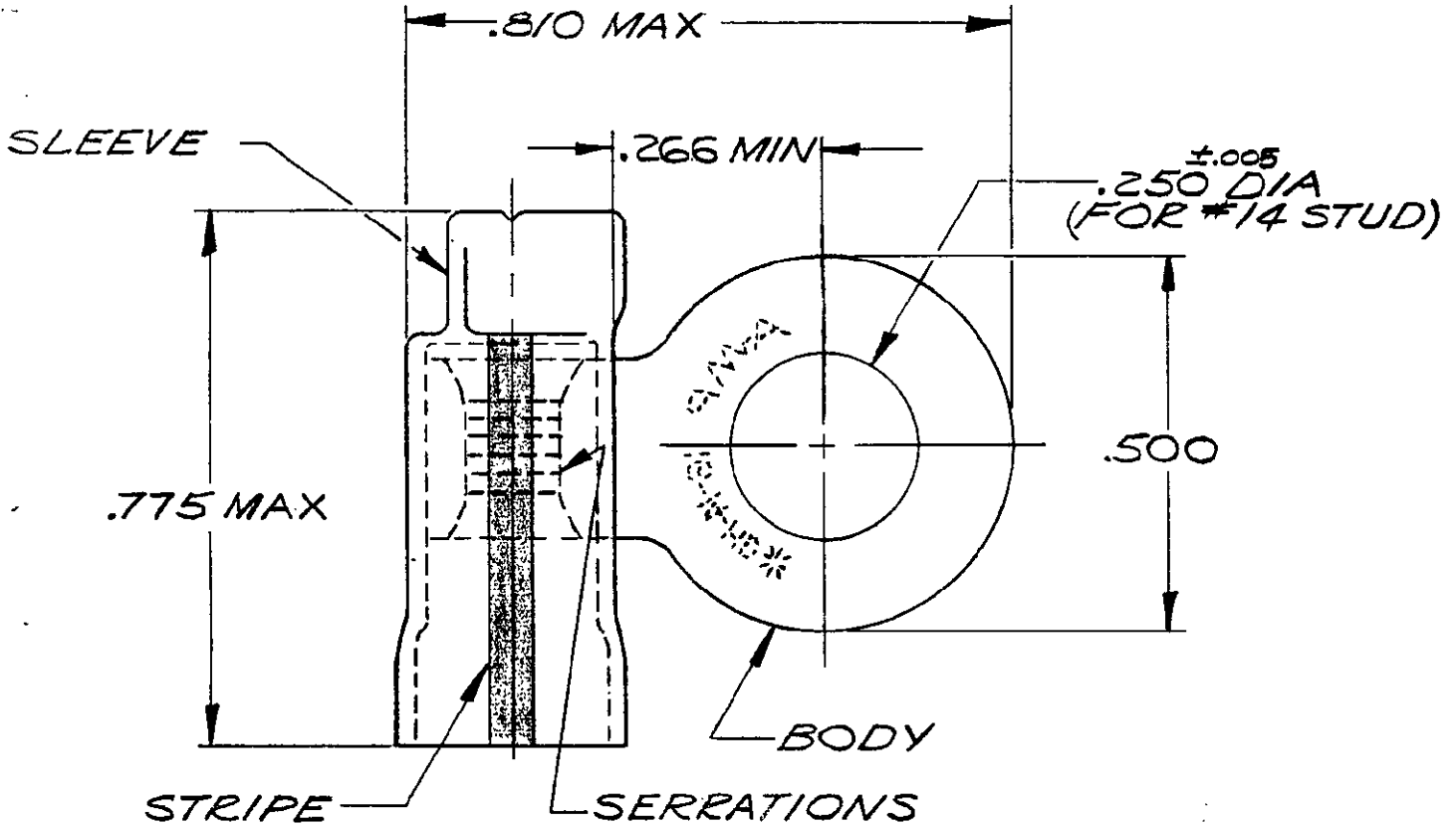


DRAWING MADE IN AMERICAN PROJECTION

LOC **G** PRINT DIST **14**

© 1954 BY AMP INCORPORATED. ALL RIGHTS RESERVED. AMP PRODUCTS COVERED BY PATENTS AND/OR PATENTS PENDING.

| REVISIONS |                  |          |          |
|-----------|------------------|----------|----------|
| LTR       | DESCRIPTION      | DATE     | APPROVED |
| E         | REV/0L20-0085-97 | 11/13-97 | ME/SB    |
| C         | REV/G-020492     | LO 10/92 | ME       |
| D         | REV/0720-0309-93 | LO 9/93  | ME       |



STRIPES  
COLOR: BLACK

TONGUE MAT'L THK .048 ±.002

|   |             |          |  |
|---|-------------|----------|--|
| 1 | .320 MAX    | 322313-0 | SLEEVE: PVC, COLOR: NATURAL                        |
|   |             | OBSOLETE |  |
| 1 | .150 - .230 | 322313   | BODY: COPPER (QQ-C-576)<br>TIN PLATE (MIL-T-10727) |

QTY FOR WIRE INS. DIA. PART NO. MATERIAL AND FINISH

UNLESS OTHERWISE SPECIFIED DIMENSIONS ARE IN INCHES  
TOLERANCES ON:  
DECIMALS ± .008  
ANGLES ± 5°

CONTRACT NO. #  
DR. *Stair Sink* 4-17-69  
CHK *H. Young* 4-17-69  
APPD *H. Young* 4-17-69  
REL *M. Encarnacion*  
DSGN APPD  
OTHER APPD



AMP INCORPORATED  
HARRISBURG, PENNSYLVANIA

NAME  
WIRE TERMINAL  
PLASTI-GRIP-RING TONGUE-FLAG  
WIRE SIZE: 16-14 HD

MATERIAL  
**SEE TABLE**

| SIZE | CODE IDENT NO. | NUMBER |
|------|----------------|--------|
| A    | 00779          | 322313 |

SCALE 4:1 SHEET 1 OF 1