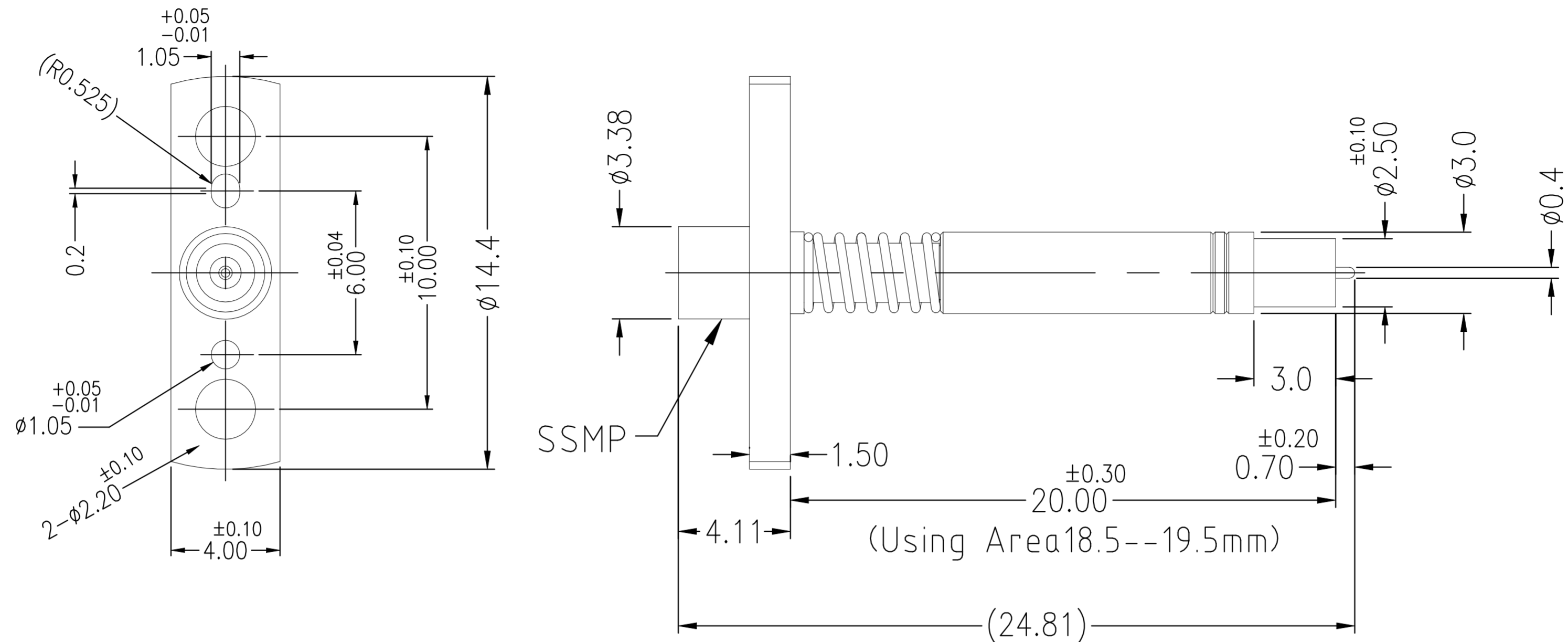


REVISIONS					
P	LTR	DESCRIPTION	DATE	DWN	APVD
A1		ECR-22-139181	25AUG2022	PZ	WKH



ELECTRICAL	MECHANICAL	ENVIRONMENTAL
<p>Impedance (Ohm): <u>50</u></p> <p>Frequency Range: <u>DC to 9GHz</u></p> <p>Voltage Rating (Peak) @ Sea Level <u>170 V RMS</u></p> <p>Insulation Resistance (MIN.) <u>500 M ohms</u></p> <p>Contact Resistance (mohms MAX) Center Contact <u>50</u> Outer Contact <u>20</u></p> <p>Dielectric Withstand Voltage: <u>500 V RMS Max</u></p> <p>Insertion Loss : <0.6 dB @0-6GHz <0.8 dB @6-9GHz</p> <p>VSWR: <u>1.3 max @ DC~6GHz</u> <u>1.5 max @ 6GHz~9GHz</u></p>	<p>Interface Dimension <u>SMPM MALE to SWITCH</u></p> <p>Force to Engage and Disengage Engage: <u>N/A</u> Disengage: <u>N/A</u></p> <p>CONDUCTOR ELASTICITY: FLANGE ELASTICITY(PRESS <u>1.0±0.05mm</u>) <u>350gf~450gf</u> INNER CONDUCTOR ELASTICITY(PRESS <u>0.2±0.05mm</u>) <u>65gf~125gf</u></p> <p>Cable Retention Axial (Lbs) <u>N/A</u></p> <p>Mating cycles <u>10000</u> cycles (SWITCH SIDE) <u>500</u> cycles (SMPM)</p>	<p>TEMPERATURE RANGE <u>-40 °C~+85 °C</u></p> <p>ROHS <u>COMPLIANT</u></p>

2408012-1	SPRING	STAINLESS STEEL	PASSIVATION
	CONTACT PIN	BERYLLIUM COPPER	PL.GOLD/NICKEL/COPPER
	INSULATOR	PTFE MIL-P-19468	N/A
	BODY	STAINLESS STEEL	PASSIVATION
	PART NUMBER	MATERIAL	PLATING

THIS DRAWING IS A CONTROLLED DOCUMENT.		DWN	PENG ZHAI	18FEB2022		NAME		SMPM MALE S/T TO SWITCH BLINDMATE ADAPTOR	
DIMENSIONS:		CHK	WENKE HE	18FEB2022		PRODUCT SPEC		-	
mm		APVD	WENKE HE	18FEB2022		APPLICATION SPEC		-	
TOLERANCES UNLESS OTHERWISE SPECIFIED:		MATERIAL		FINISH		WEIGHT		-	
0 PLC	± -	-		WEIGHT	-		-		
1 PLC	± 0.3	-		SCALE	1:1		SHEET 1 OF 1		
2 PLC	± 0.2	-		CUSTOMER DRAWING	-		REV A1		
3 PLC	± 0.1	-		SIZE		A2		CAGE CODE	
4 PLC	± -	-		DRAWING NO		C=2408012		RESTRICTED TO	
ANGLES	± 5°	-		CAGE CODE		00779		-	