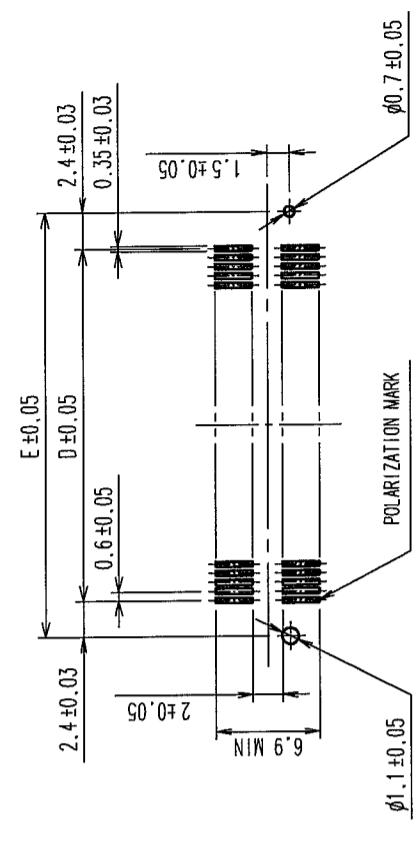


COUNT	DESCRIPTION OF REVISIONS	BY	CHKD	DATE	COUNT	DESCRIPTION OF REVISIONS	BY	CHKD	DATE
3	RE-F-09671	K.N	H.Y	04.04.08					

RECOMMENDED LAND PATTERN DIMENSION OF P.C.B. (MOUNTING SIDE)

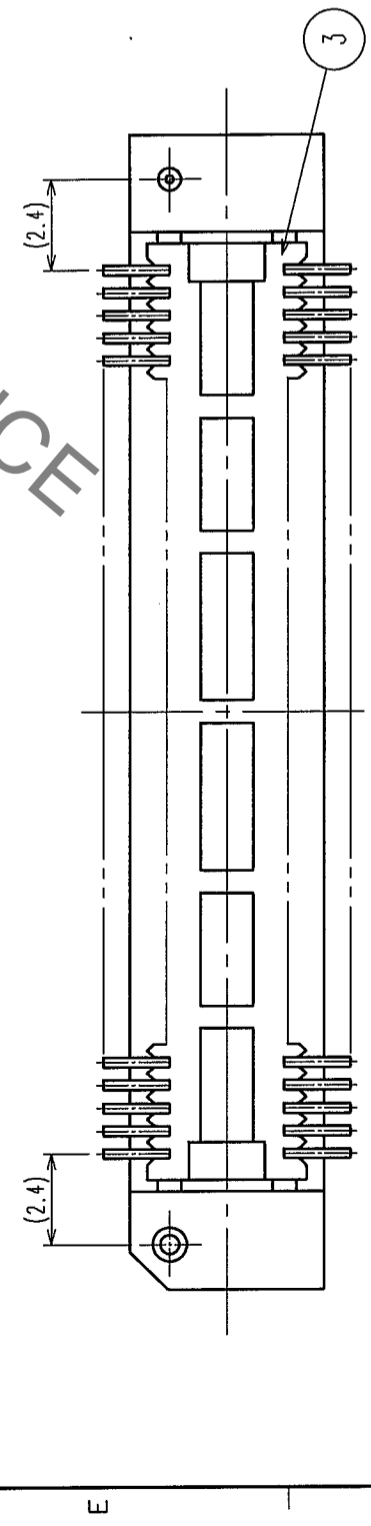
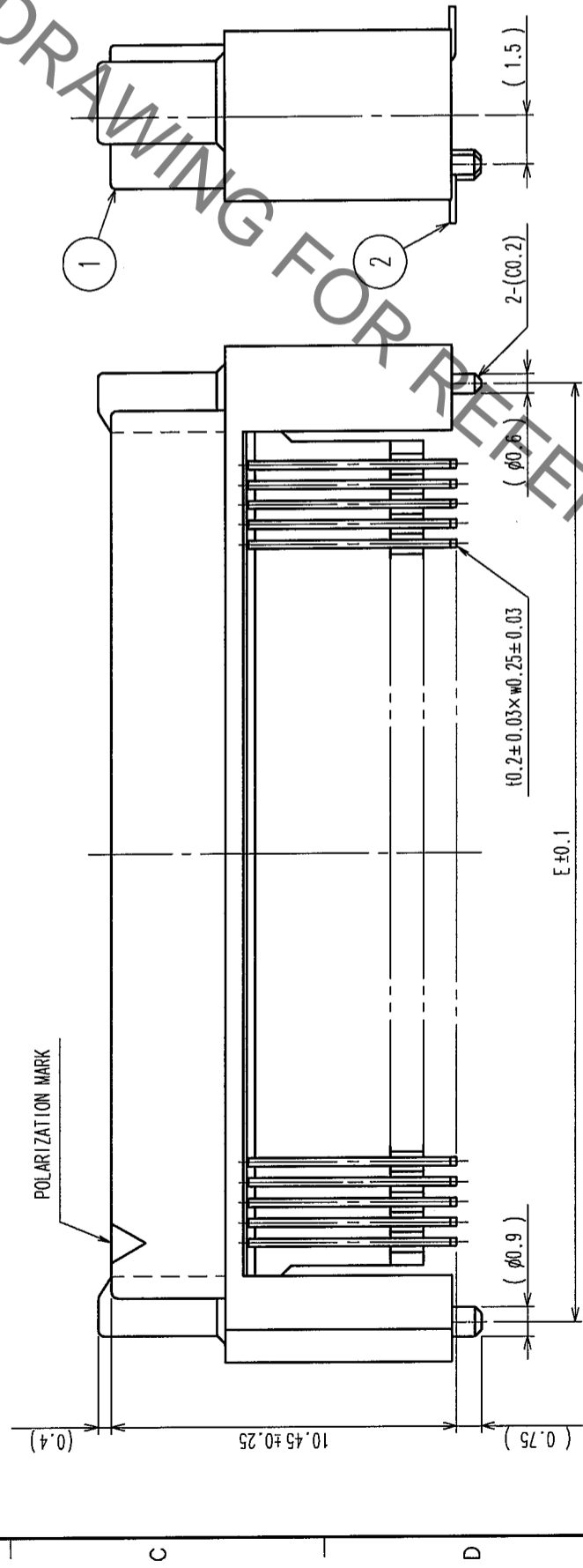
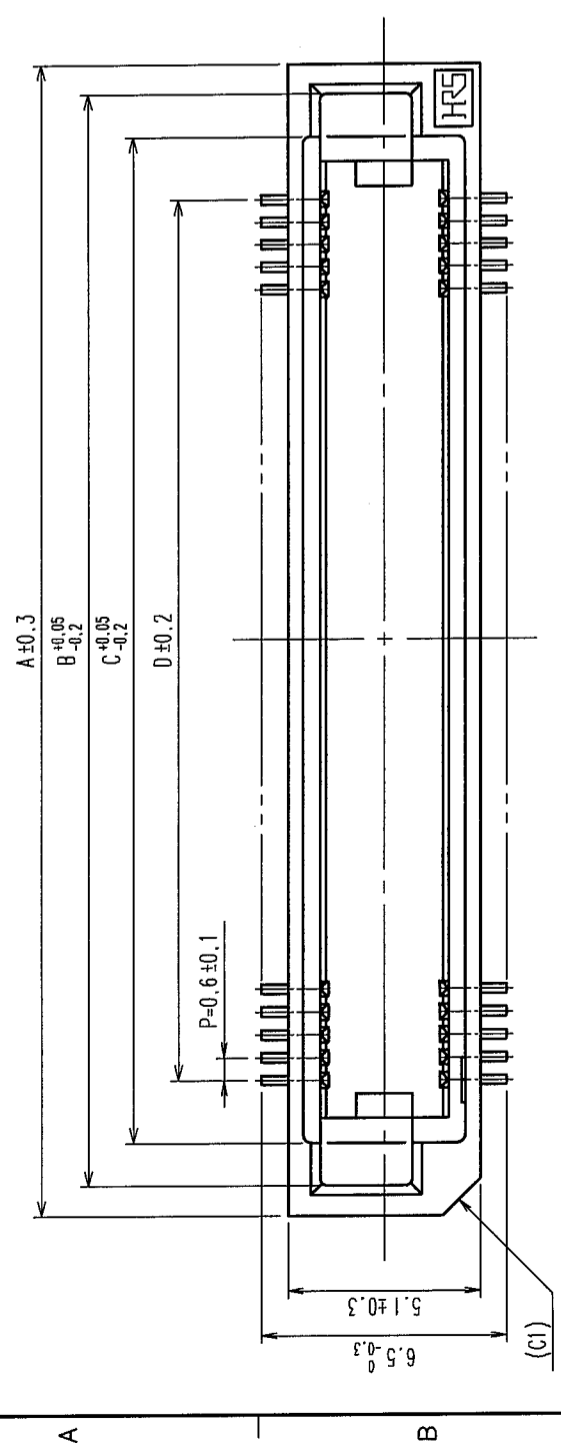


DIMENSION TABLE OF CONNECTOR AND P.C.B. LAND PATTERN.

PART No.	CODE No.	6	7	A	B	C	D	E
FX8C-60P-SV6(93)	CL578-0601-3-93	60	X	24.60	23.00	20.70	17.40	22.20
FX8C-80P-SV6(93)	CL578-0603-9-93	80	X	30.60	29.00	26.70	23.40	28.20
FX8C-100P-SV6(93)	CL578-0605-4-93	100	X	36.60	35.00	32.70	29.40	34.20
FX8C-120P-SV6(93)	CL578-0606-7-93	120	-	42.60	41.00	38.70	35.40	40.20
FX8C-140P-SV6(93)	CL578-0607-0-93	140	-	48.60	47.00	44.70	41.40	46.20

- NOTE 1. LEAD CO-PLANARITY SHALL BE 0.1mm MAX.  
 2. EMBOSSED CARRIER TAPE PACKAGING SHALL BE APPLIED TO THIS PRODUCT.  
 SEE NEXT PAGE FOR DETAILS.  
 3. THIS PRODUCT HAS TAPE FOR VACUUM PICKUP.  
 SEE NEXT PAGE FOR DETAIL OF STICKING POSITION, ETC.  
 4. FOR MODIFICATION, ETC, PREVENTIVE HOLE FOR SINK MARK MAY BE ADDED ACCORDING TO CIRCUMSTANCES.  
 5. THE DIMENSIONS IN PARENTHESES ARE FOR REFERENCE.  
 6. NUMBER OF CONTACTS.  
 7. EXISTENCE  
 X: PRODUCED, -: NO PRODUCED

1, 3	PPS	LIGHT BROWN (UL94V-0)	2	PHOSPHOR BRONZE	CONTACT AREA: GOLD 0.1μm min LEAD AREA: TIN-PLATING 1μm min UNDER PLATING: NICKEL 1μm min
NO.	MATERIAL	FINISH, REMARKS	NO.	MATERIAL	FINISH, REMARKS
CODE NO. (OLD)	CL				
DESIGNED	K. NAKAMURA	CHECKED	H. OKAWA	APPROVED	Y. YOSHIMURA
DRAWN	S. SUZUKI	DESIGNED	K. NAKAMURA	CHECKED	H. OKAWA
	03.02.04		03.02.12		03.02.14
			03.02.12		03.02.15
DRAWING NO. EDC3-151090-23		PART NO. FX8C-**P-SV6(93)			
SCALE FREE		CODE NO.		CL578	
UNITS mm		HIROSE ELECTRIC CO., LTD			

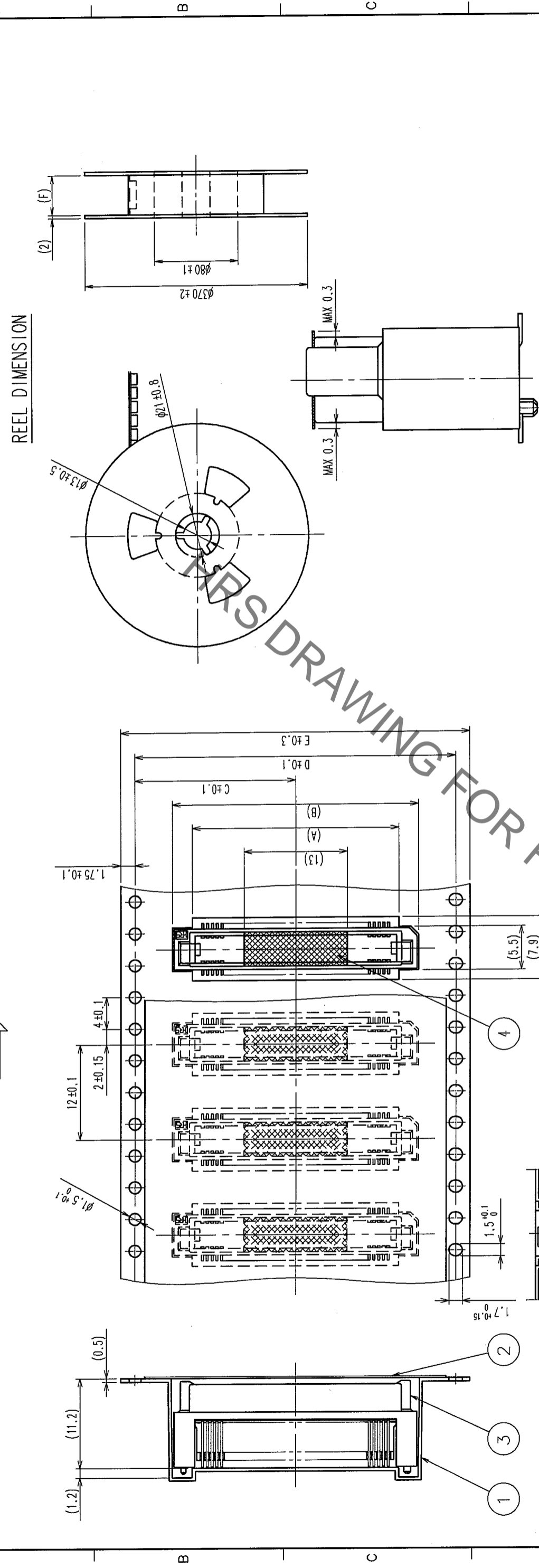


TO	
PCK	

HRS DRAWING FOR REFERENCE

COUNT	DESCRIPTION OF REVISIONS	BY	CHKD	DATE	COUNT	DESCRIPTION OF REVISIONS	BY	CHKD	DATE

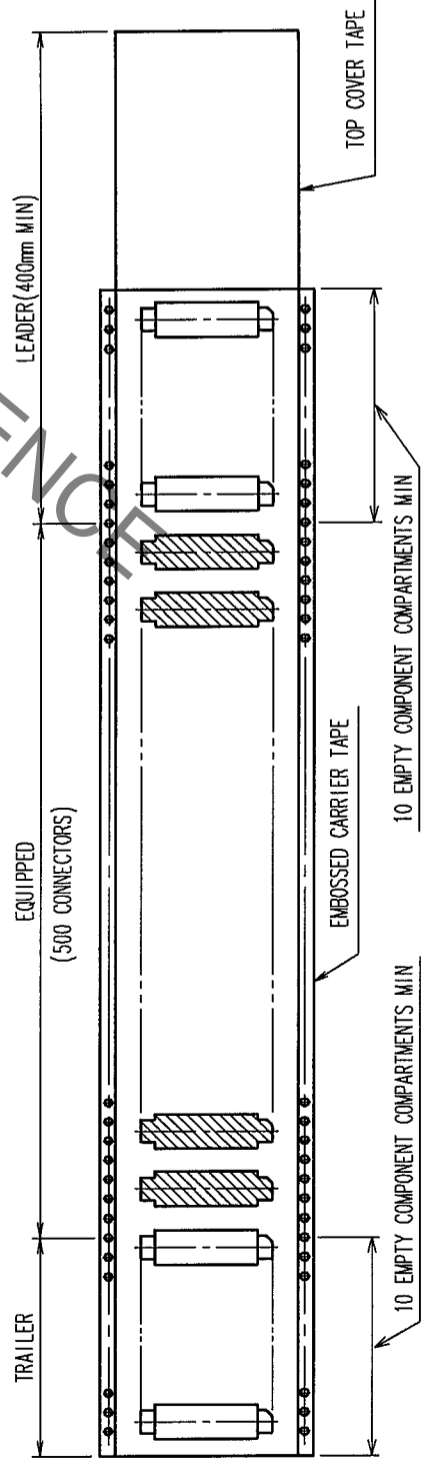
UNREELING DIRECTION  
↑



DETAIL OF TAPE FOR VACUUM PICKUP(5:1)

△ DIMENSION TABLE OF EMBOSSED CARRIER TAPE AND REEL.

PART No.	CODE No.	2	3	A	B	C	D	E	F
FX8C-60P-SV6(93)	CL578-0601-3-93	60	X	20	25	20.2	40.4	44	44.4
FX8C-80P-SV6(93)	CL578-0603-9-93	80	X	26	31	20.2	40.4	44	44.4
FX8C-100P-SV6(93)	CL578-0605-4-93	100	X	32	37	26.2	52.4	56	56.4
FX8C-120P-SV6(93)	CL578-0606-7-93	120	-	38	43	26.2	52.4	56	56.4
FX8C-140P-SV6(93)	CL578-0607-0-93	140	-	44	49	34.2	68.4	72	72.4



NOTE 1. 1 REEL : 500 CONNECTORS  
 2. NUMBER OF CONTACTS  
 3. EXISTENCE  
 X : PRODUCED, - : NO PRODUCED

NO.	MATERIAL	FINISH, REMARKS	NO.	MATERIAL	FINISH, REMARKS
2	POLYESTER	(TOP COVER TAPE)	4	POLYIMIDE	(TAPE FOR VACUUM PICKUP)
1	PS	(EMBOSSED CARRIER TAPE)	3		(CONNECTOR)

CODE NO. (OLD)	CL	DRAWN	DESIGNED	CHECKED	APPROVED	RELEASED
		S. SUZUKI	K. NAKAMURA	H. OKAWA	Y. YOSHIMURA	
		03.02.04	03.02.12	03.02.14	03.02.15	

DRAWING NO.	PART NO.
EDC3-151090-23	FX8C-**P-SV6(93)

SCALE	UNITS	CODE NO.
FREE	MM	CL578

TO	
PCK	