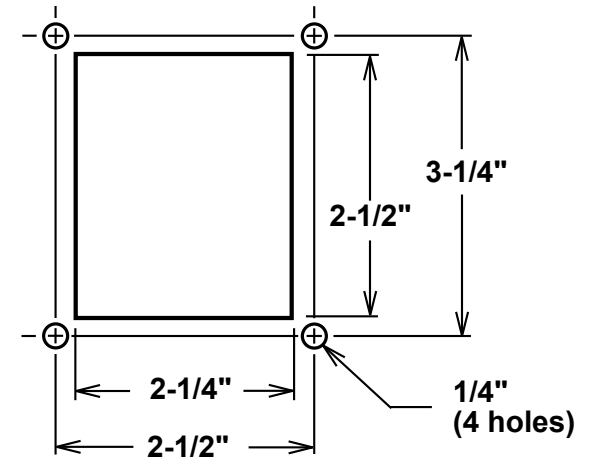
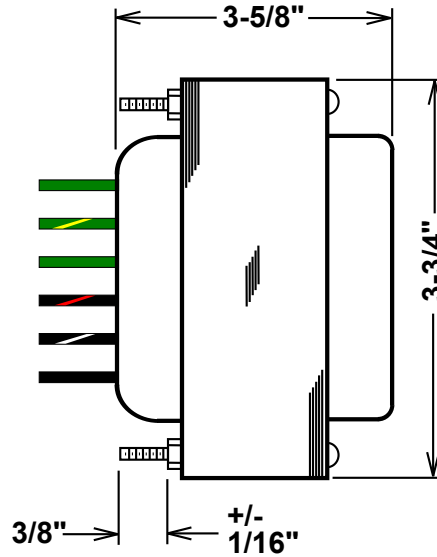
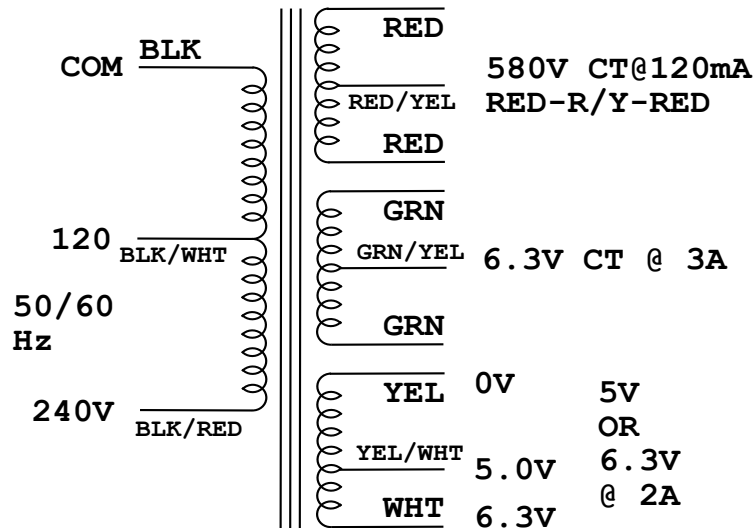


leads are 12" long




recommended cutout:

### Electrical Specifications



**120V:** Input to BLK and BLK/WHT, the BLK / RED wire is not used  
**240V:** Input to BLK and BLK/RED, the BLK/WHT wire is not used

unless otherwise stated, all physical dimensions are in inches

part number:	<b>TR-PW-12</b>	version:	<b>1.0</b>
desc:	<b>Power Transformer, 18W</b>		
application:	Power transformer, "laydown" mounting, for Marshall style 18W amps.		
date:	24 June 2013		
drawn:	Robert Hull		
sheet:	pg 1 of 1		
		ANALOG IN   TUBEDEPOT.COM	