

4

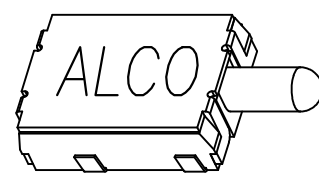
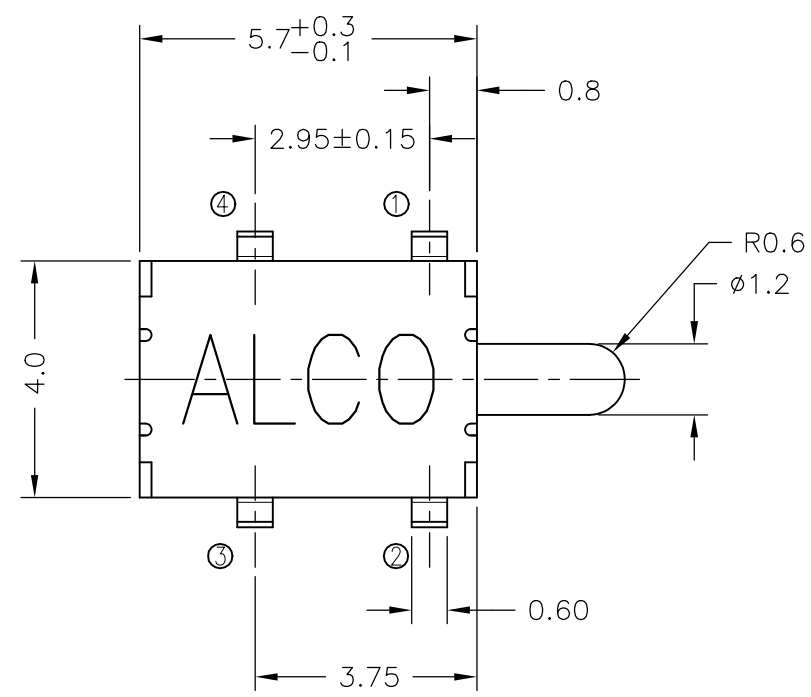
3

2

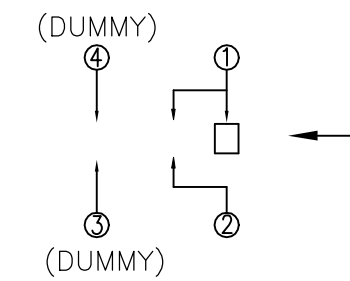
1

THIS DRAWING IS UNPUBLISHED. RELEASED FOR PUBLICATION
 © COPYRIGHT - TE Connectivity Ltd. ALL RIGHTS RESERVED.

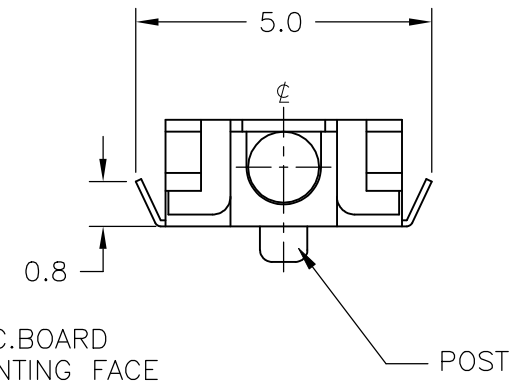
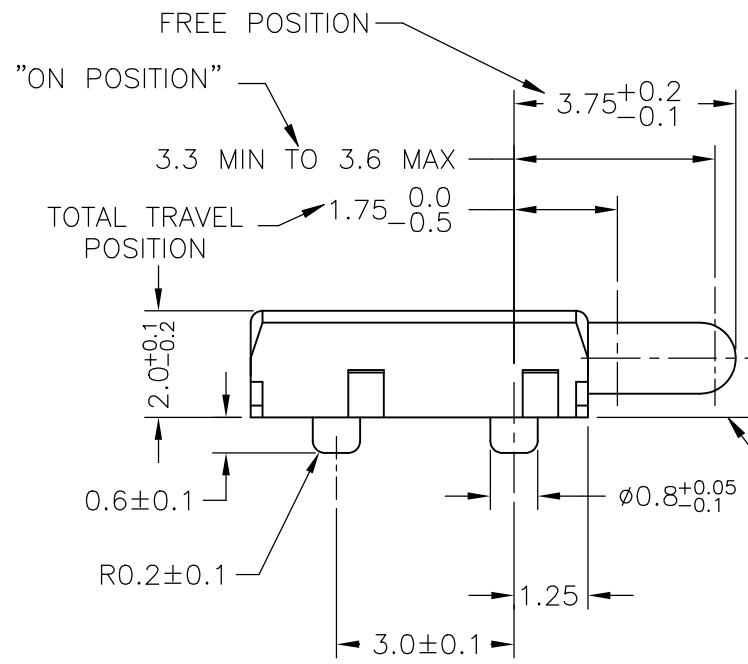
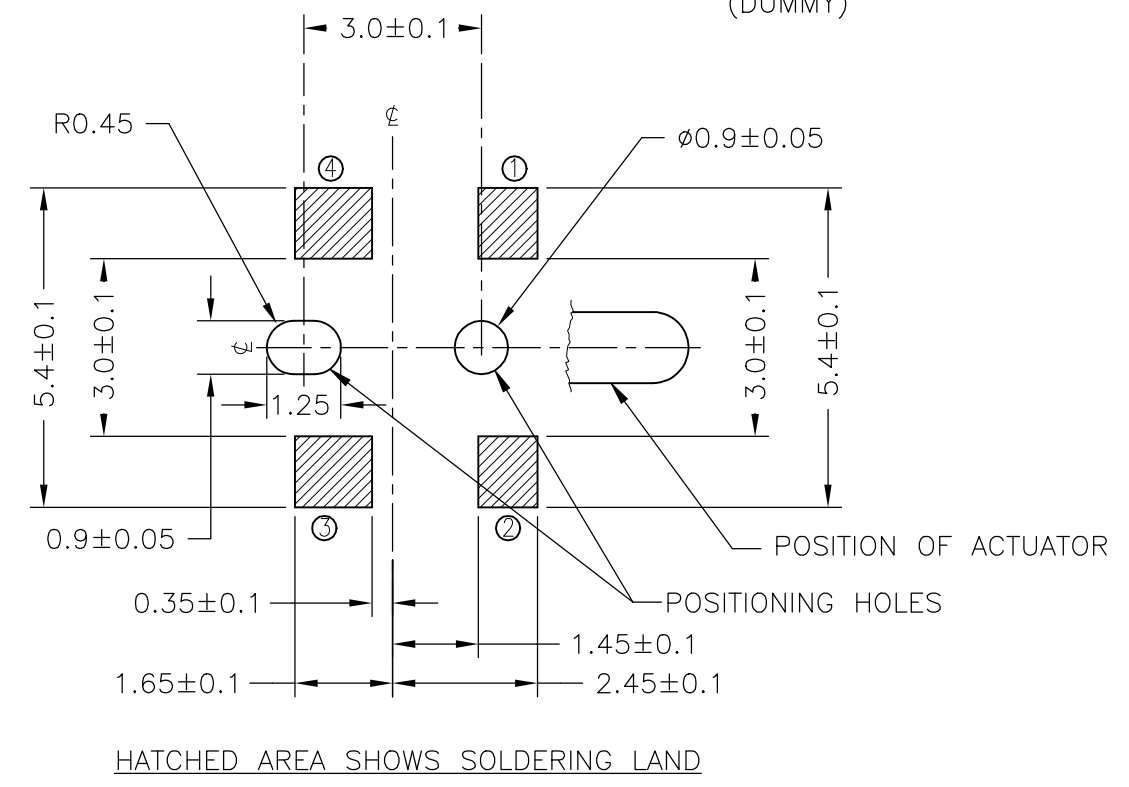
REVISIONS				
P	LTR	DESCRIPTION	DATE	APVD
A		ECR-18-012767	16AUG2018	RSM AS



SCHEMATIC (1P1T)



P.C.B LAYOUT



P.C.BOARD MOUNTING FACE

JJGHOUJ200NOHPMRTR	2331402-1
SMART PART NUMBER	PART NUMBER

THIS DRAWING IS A CONTROLLED DOCUMENT.		DWN 30APR2018 RAVI.S	TE Connectivity Ltd.	
DIMENSIONS: mm		CHK 30APR2018 ALEXANDER SHARPE		
TOLERANCES UNLESS OTHERWISE SPECIFIED:		APVD 30APR2018 ALEXANDER SHARPE	NAME	
0 PLC ± - 1 PLC ± 0.3 2 PLC ± - 3 PLC ± - 4 PLC ± - ANGLES ± -		PRODUCT SPEC	DETECTOR SWITCH, JG SERIES, 5.7X4.0mm, HORIZONTAL, SMT, POSTS	
MATERIAL		FINISH	SIZE	CAGE CODE
-		-	A3	00779
			DRAWING NO	
			C-2331402	
			RESTRICTED TO	
			-	
			CUSTOMER DRAWING	
			SCALE	SHEET
			8:1	1 OF 4
				REV
				A

4

3

2

1

THIS DRAWING IS UNPUBLISHED.

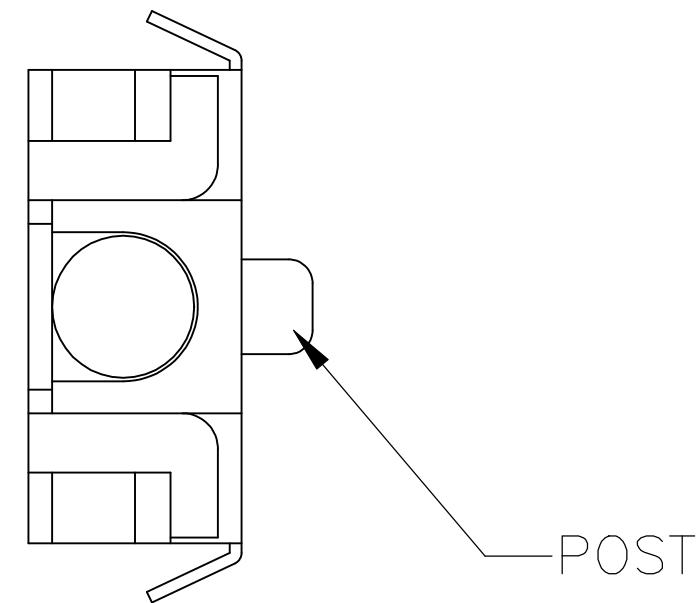
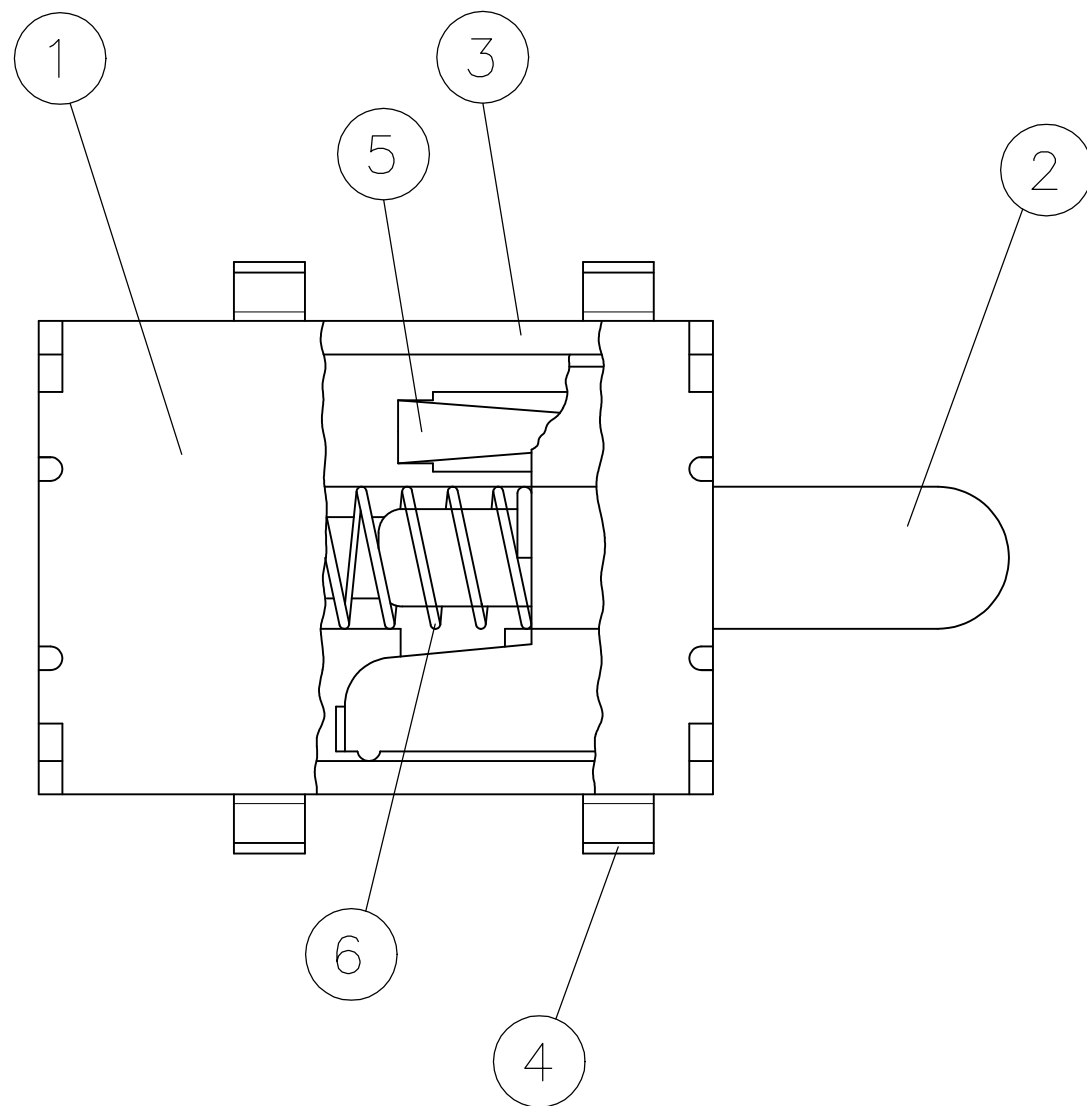
RELEASED FOR PUBLICATION

REVISIONS

© COPYRIGHT - TE Connectivity Ltd.

ALL RIGHTS RESERVED.

P	LTR	DESCRIPTION	DATE	DWN	APVD
-	-	SEE SHEET 1	-	-	-



-	STAINLESS STEEL	COIL SPRING	6
SILVER PLATE	COPPER ALLOY	CONTACT PLATE	5
SILVER PLATE	COPPER ALLOY	TERMINAL	4
BLACK	THERMOPLASTIC	FRAME	3
BLACK	THERMOPLASTIC	ACTUATOR	2
-	STAINLESS STEEL	COVER	1
COLOR OR FINISH	MATERIAL	PART NAME	NO.

THIS DRAWING IS A CONTROLLED DOCUMENT.		DWN RAVI.S 30APR2018	TE TE Connectivity Ltd.	
DIMENSIONS: mm		CHK ALEXANDER SHARPE 30APR2018		
TOLERANCES UNLESS OTHERWISE SPECIFIED:		APVD ALEXANDER SHARPE 30APR2018	NAME DETECTOR SWITCH, JYG SERIES, 5.7X4.0mm, HORIZONTAL, SMT, POSTS	
MATERIAL		PRODUCT SPEC	SIZE A3	CAGE CODE 00779
FINISH		APPLICATION SPEC	DRAWING NO C-2331402	RESTRICTED TO
		WEIGHT	SCALE 16:1 SHEET 2 OF 4 REV A	
		CUSTOMER DRAWING		

THIS DRAWING IS UNPUBLISHED.

RELEASED FOR PUBLICATION

ALL RIGHTS RESERVED.

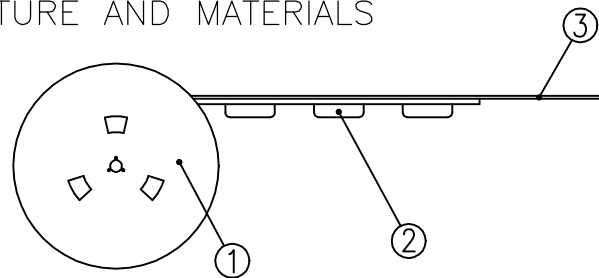
© COPYRIGHT - TE Connectivity Ltd.

REVISIONS

P	LTR	DESCRIPTION	DATE	DWN	APVD
-	-	SEE SHEET 1	-	-	-

PACKAGING:

1. STRUCTURE AND MATERIALS

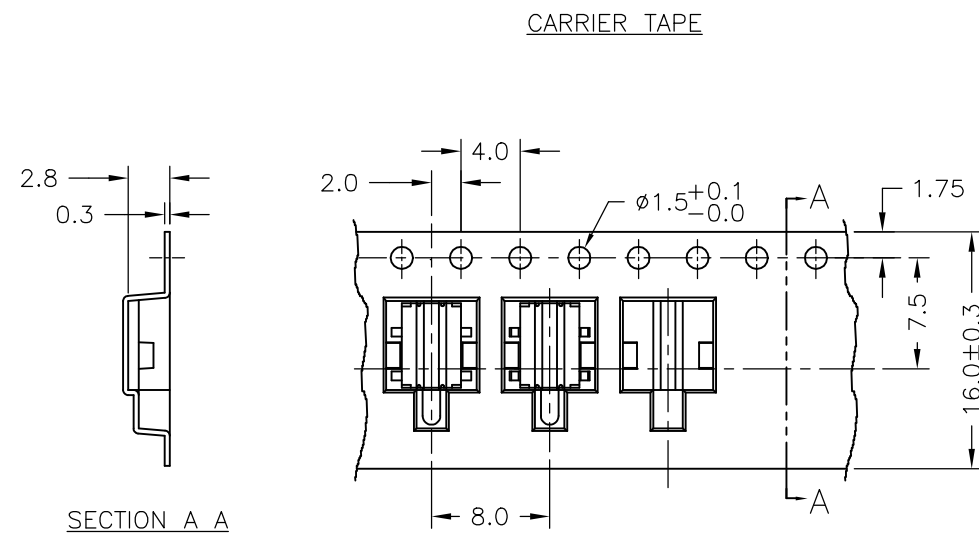


2. PACKAGING QUANTITY : 3,000 SWITCHES/REEL.

3. MORE THAN 10 EMPTY POCKETS AT BOTH ENDS OF THE CARRIER TAPE FOR EACH REEL.

4. DIMENSIONS :

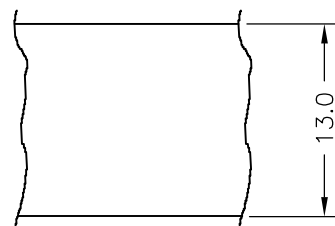
TAPE AND REEL PER EIA-481



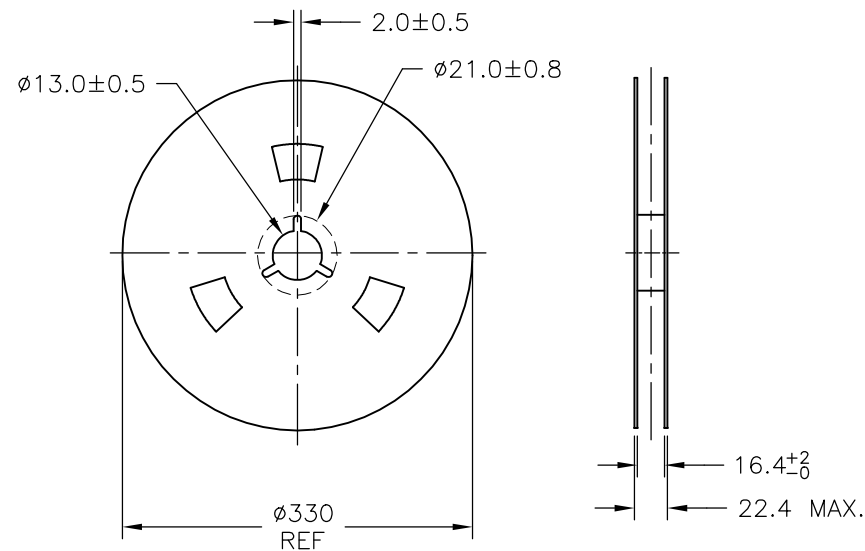
SECTION A A

DRAWING DIRECTION

COVER TAPE



REEL



MATERIALS	PARTS NAME	NO.
POLYESTER	COVER TAPE	③
POLYSTYRENE	CARRIER TAPE	②
POLYSTYRENE	REEL	①

THIS DRAWING IS A CONTROLLED DOCUMENT.		DWN	30APR2018	TE Connectivity Ltd.	
		CHK	30APR2018		
		APVD	30APR2018		
		PRODUCT SPEC	ALEXANDER SHARPE		
DIMENSIONS: mm		TOLERANCES UNLESS OTHERWISE SPECIFIED: 0 PLC ± - 1 PLC ± 0.3 2 PLC ± - 3 PLC ± - 4 PLC ± - ANGLES ± -		NAME DETECTOR SWITCH, JIG SERIES, 5.7X4.0mm, HORIZONTAL, SMT, POSTS	
MATERIAL		FINISH		SIZE	RESTRICTED TO
-		-		A3	-
		WEIGHT		CAGE CODE	DRAWING NO
		-		00779	C-2331402
CUSTOMER DRAWING				SCALE	REV
				2:1	A
				SHEET	3 of 4

THIS DRAWING IS UNPUBLISHED.

RELEASED FOR PUBLICATION

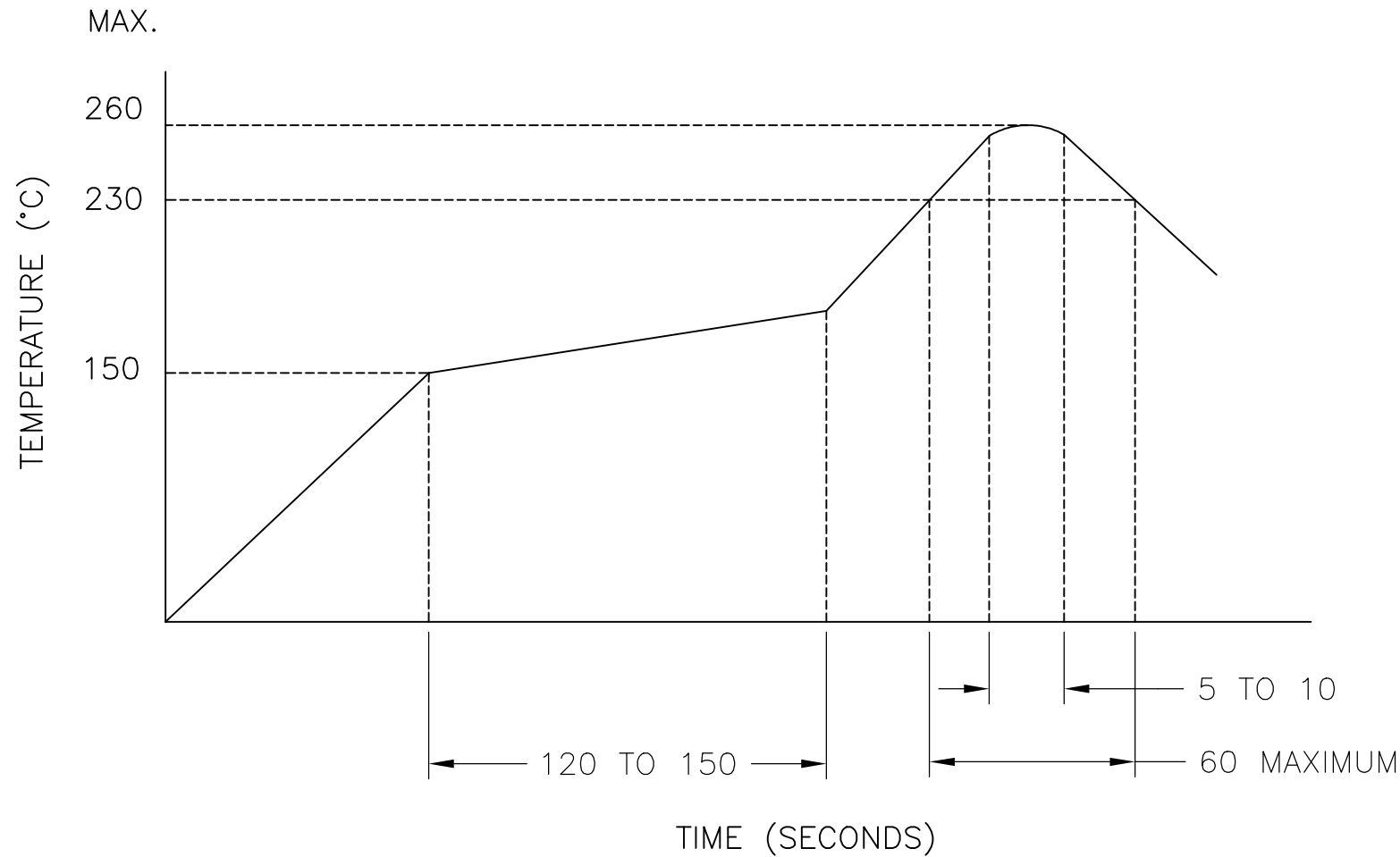
© COPYRIGHT - TE Connectivity Ltd.

ALL RIGHTS RESERVED.

REVISIONS


P	LTR	DESCRIPTION	DATE	DWN	APVD
-	-	SEE SHEET 1	-	-	-

REFLOW SOLDERING:



THE TIME-TEMPERATURE CHART IS BASED ON THE TEMPERATURE OF THE MOUNTING SURFACE OF THE P.C.B. FOR THE SWITCH.

1. RATING: DC 12V, 100mA
2. CONTACT RESISTANCE: 1Ω MAXIMUM (INITIAL)
3. INSULATION RESISTANCE: 100 MΩ MINIMUM
4. WITHSTANDING VOLTAGE: AC 100V, 50 TO 60 Hz, 1 MINUTE
5. OPERATING FORCE: 100+/-50gf
6. LIFE CYCLE: 100,000 CYCLES WITH LOAD
7. OPERATING TEMPERATURE: -10 TO 60°C
8. COMPLIANCE: ALL MATERIALS AND FINISHES SHALL COMPLY WITH EU DIRECTIVE 2002/95/EC OF 27 JAN 2003 (RoHS).

THIS DRAWING IS A CONTROLLED DOCUMENT.		DWN 30APR2018 RAVI.S	 TE Connectivity Ltd.				
DIMENSIONS: mm		CHK 30APR2018 ALEXANDER SHARPE					
TOLERANCES UNLESS OTHERWISE SPECIFIED:		APVD 30APR2018 ALEXANDER SHARPE	NAME DETECTOR SWITCH, JJC SERIES, 5.7X4.0mm, HORIZONTAL, SMT, POSTS				
0 PLC ± - 1 PLC ± 0.3 2 PLC ± - 3 PLC ± - 4 PLC ± - ANGLES ± -		PRODUCT SPEC -	SIZE A3	CAGE CODE 00779	DRAWING NO C-2331402	RESTRICTED TO -	
MATERIAL -		FINISH -	WEIGHT	SCALE 1:1		SHEET 4 OF 4	REV A
CUSTOMER DRAWING							