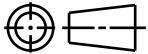
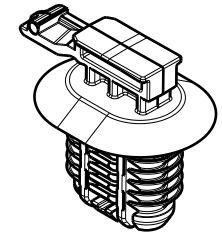
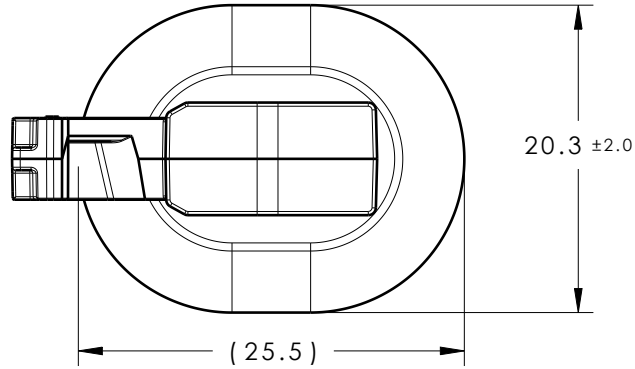


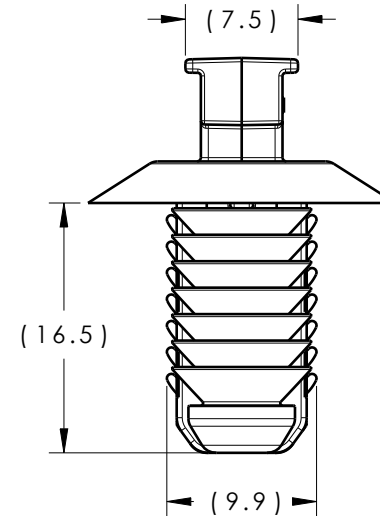
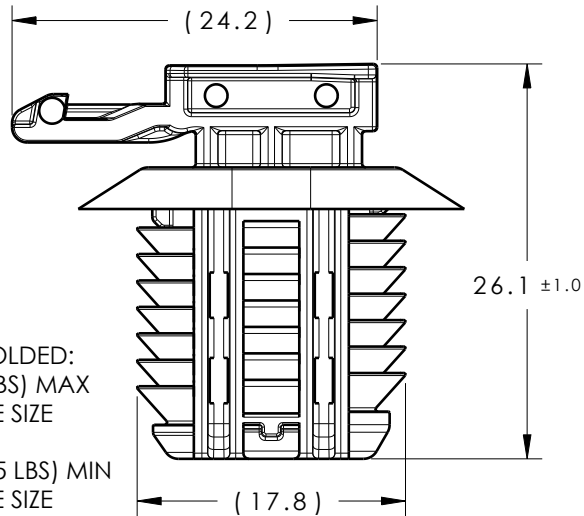
CATIA V5



Revision Level			Revision Record	Changed	Date	Approved	Date
Drawing	State	Part					
00.2	Design Release	A	SEE ECN# 013132	CJR	06/10/15	KVH	06/10/15



SCALE 1:1  
ISOMETRIC VIEW



- REFERENCE:  
PERFORMANCE REQUIREMENTS AT DRY AS MOLDED:
1. FIR TREE PUSH IN FORCE: 45 NEWTONS (10 LBS) MAX IN EACH APPLICABLE NOMINAL OVAL HOLE SIZE AND A PLATE THICKNESS OF 1.8mm.
  2. FIR TREE PULL OUT FORCE: 155 NEWTONS (35 LBS) MIN IN EACH APPLICABLE NOMINAL OVAL HOLE SIZE AND A PLATE THICKNESS OF 1.8mm.
  3. SHEET METAL THICKNESS RANGE: 0.60mm - 9.50mm
  4. APPLICABLE OVAL HOLE SIZES:  
A. 9.0 X 17.0mm +/- 0.4
  5. DESIGNED TO MEET PUSH ON/ PULL OFF FORCES OF SAE/USCAR-2
  6. FITS INTO USCAR CLIP SLOT SPECIFICATION EWCAP-005-7 (NOT A TEST SPEC.)

Material PA66HIRHS COLOR: BLACK	Units	millimeters	The copyright of this drawing is reserved by HellermannTyton. It is issued on condition that it is not reproduced, copied or disclosed to a third party, either wholly or in part, without the consent of HellermannTyton.	Drawn	CJR	07/21/14	Article/Type-No CC20	Scale	2:1	
	Tolerance defined on each dimension	Approved		KVH	07/21/14	Title OVAL FIR TREE 9mm X 17mm LG WITH 7mm CONNECTOR TOP		Project Number	14-0609	
		<b>HellermannTyton</b> North America Email: corp@htamericas.com Web: www.hellermann.tyton.com			Drawing-No		PRODUCTION : Phase	Format	AH	
								<b>14-0609-021-CSU</b>	Sheet	1/1