

LOC	DIST	REV	DATE	BY	APPD
GP	00	H	08JUL2009	RG	DO

1. PART NUMBER CHANGES AND OR DESIGN CHANGES EFFECTING ITEM INTERCHANGEABILITY REQUIRE PRIOR TYCO ELECTRONICS APPROVAL AND AUTHORIZATION BY REVISION TO THE DRAWING.

△ MATERIAL:
 INSULATOR - NYLON 6/6, F/R, 30% GLASS FILLED, COLOR: BLACK
 CONTACTS - No. 20 PIN CONTACTS, BRASS ALLOY
 CROWN BAND - BERYLIUM COPPER
 OVERMOLD - PVC BLACK FOR [A] AND YELLOW (PMS 102) FOR [B] INSULATORS
 WIRE - No.24 AWG, 105°, 300 V, UL APPROVED
 CABLE JACKET - PU, COLOR: BLACK, DUROMETER: 85

△ FINISH:
 No. 20 CONTACTS - GOLD PLATED 0.75µm MIN THK. OVER NICKEL 1.27µm MIN THK.

4. OVERMOLD:
 CABLE AND INSULATOR SUB-ASSEMBLY OVERMOLDED WITH STRAIN RELIEF AND PERMANENTLY LOCATED WITH NO AIR GAP AND MOVEMENT.

5. COILED CABLE DESIGN
 12 CONDUCTOR "ZIP" COILED CORD
 COILED ZIP CORD CONSIST OF TWO SEPERATE CONDUCTOR BUNDLE
 EACH BUNDLE CONSIST OF SIX CONDUCTORS
 EACH BUNDLE CONTAIN A FOIL SHIELD/MYLAR SHEATH
 100 V INSULATOR BETWEEN BARRIER AND CONDUCTOR
 INDIVIDUAL CONDUCTOR No.24 AWG

6. COILED CABLE REQUIREMENTS:
 300 VAC MIN INSULATION FOR INDIVIDUAL CONDUCTOR INSULATION
 90° C TEMPERATURE RATING
 UL 94 V I FLAME RESISTANCE RATING

7. TESTING AND QUALITY ASSURANCE :
 A. COMPLETED ASSEMBLY MUST BE CHECKED FOR WORKMANSHIP AND CONFORMANCE TO DRAWING SPECIFICATION AND APPLICABLE TEST
 B. CONTINUITY
 C. CONNECTOR TO BE " FINGER SAFE" AS PER CSA C22.2 No. 60950 OR EN 60950

8. PACKAGING:
 ASSEMBLIES PER THIS DRAWING SHALL BE PACKED AND PACKAGED TO RESIST DAMAGE DURING SHIPMENT.

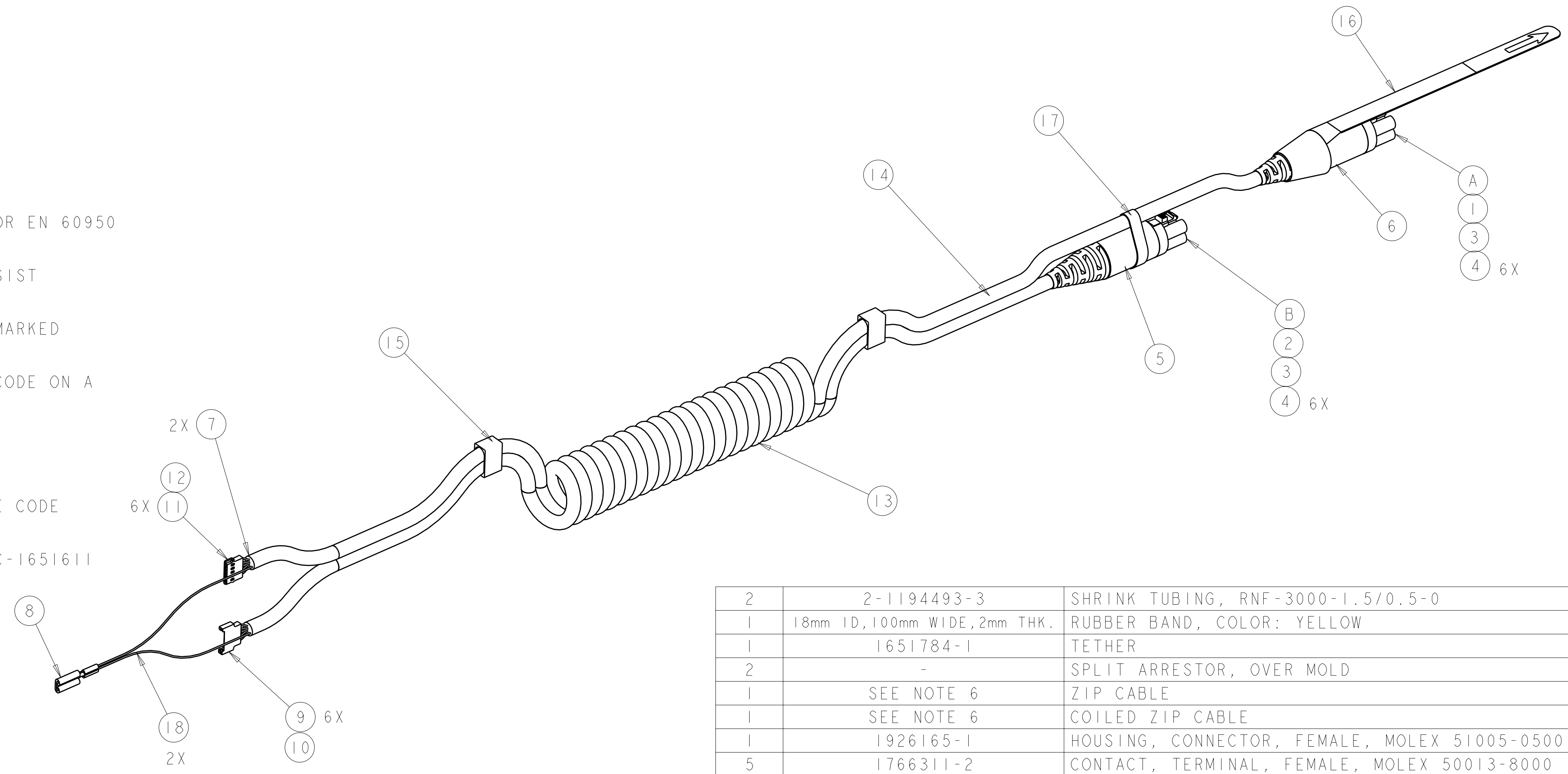
9. COMPLETED ASSEMBLY ARE PACKAGED AND LABELED ON THE PACKAGE/BAG MARKED AS FOLLOWS:

PRINT SEGWAY PART NUMBER, CURRENT SEGWAY REVISION AND DATE CODE ON A COMPUTER PRINTABLE LABEL AS SHOWN.

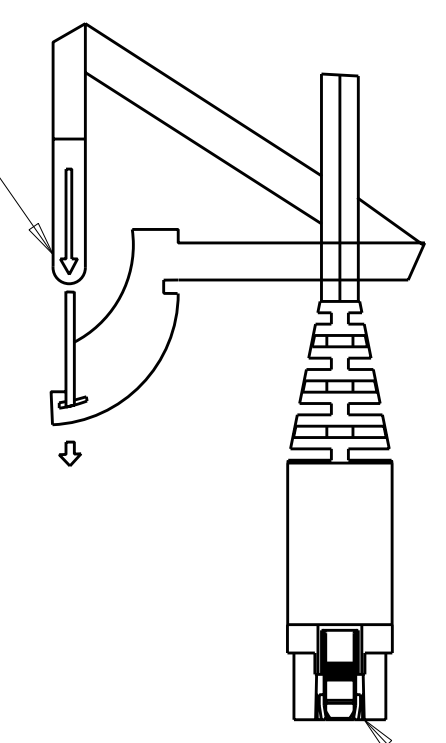
SEGWAY PN: 1716300001
 SEGWAY REVISION: AE

PRINT TYCO ELECTRONICS PART NUMBER, CURRENT REVISION AND DATE CODE ON A SEPARATE COMPUTER PRINTABLE LABEL.

10. REFERENCE TYCO ELECTRONICS PART NUMBER 1651610-2, SEE DRAWING C-1651611 FOR MATING SOCKET CONTACT CABLE ASSY.



INSERT END OF SLOT AS SHOWN AND TETHER FITS TIGHTLY AROUND "A" SIDE CONNECTOR AS SHOWN IN MAIN VIEW

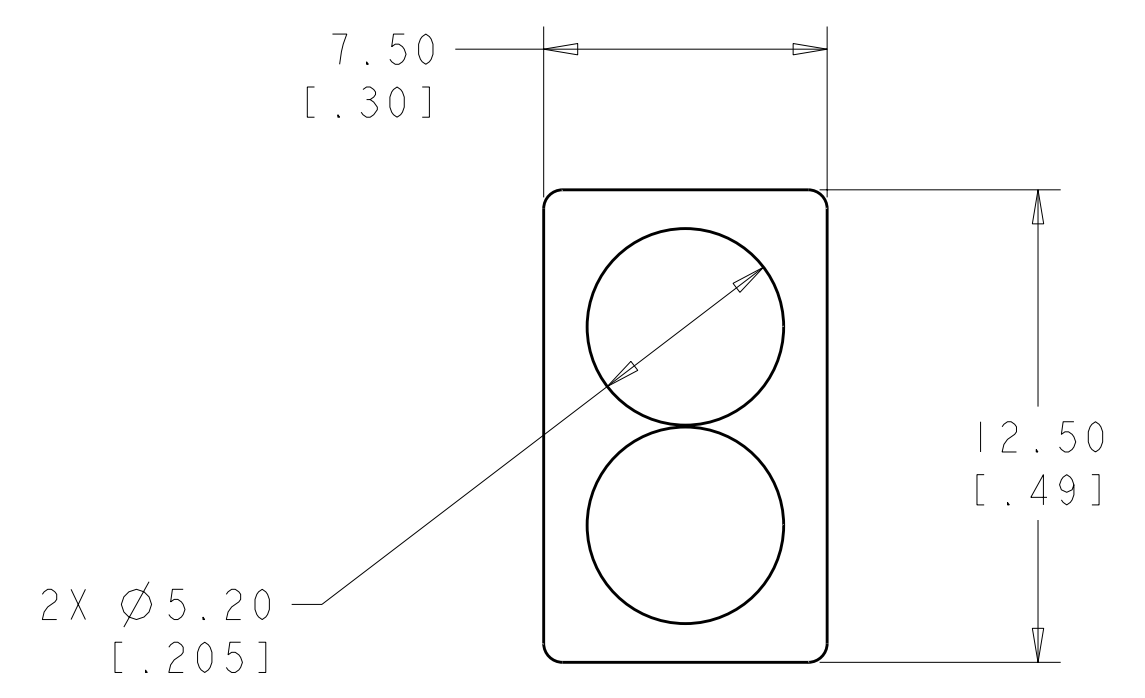


"A" SIDE CONNECTOR

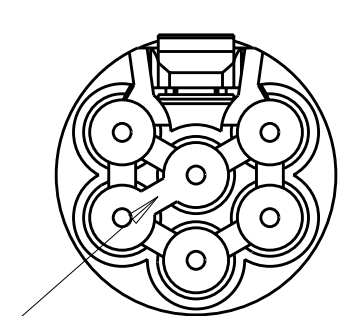
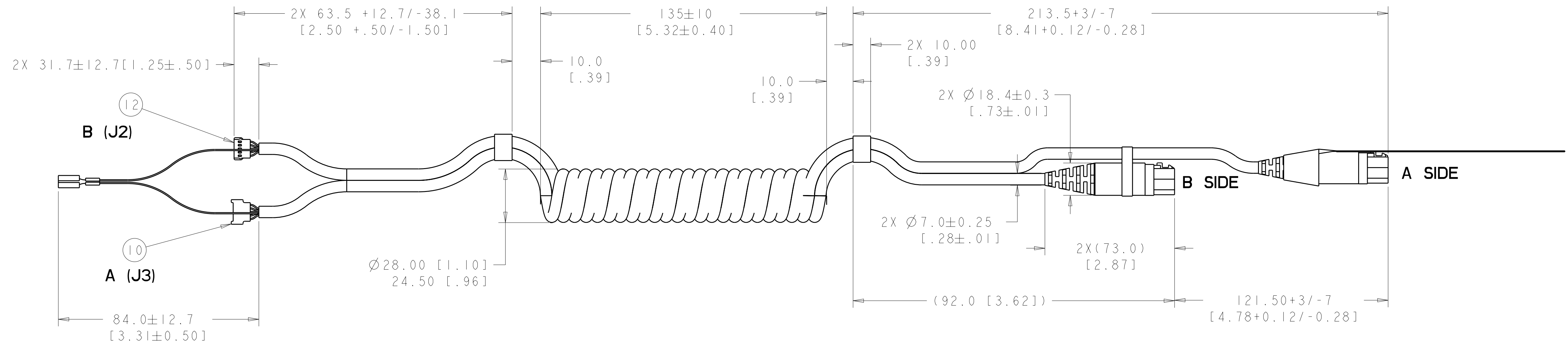
QTY	PART NO.	DESCRIPTION	ITEM	
2	2-1194493-3	SHRINK TUBING, RNF-3000-1.5/0.5-0	18	
1	18mm ID,100mm WIDE,2mm THK.	RUBBER BAND, COLOR: YELLOW	17	
1	1651784-1	TETHER	16	
2	-	SPLIT ARRESTOR, OVER MOLD	15	
1	SEE NOTE 6	ZIP CABLE	14	
1	SEE NOTE 6	COILED ZIP CABLE	13	
1	1926165-1	HOUSING, CONNECTOR, FEMALE, MOLEX 51005-0500	12	
5	1766311-2	CONTACT, TERMINAL, FEMALE, MOLEX 50013-8000	11	
1	1926165-2	HOUSING, CONNECTOR, MALE, MOLEX 51006-0500	10	
5	1766311-1	CONTACT, TERMINAL, MALE, MOLEX 50012-800	9	
1	1766310-1	QUICK DISCONNECT, MOLEX 19019-0006	8	
2	603313-4	SHRINK TUBING, POLYOLEFIN, 6.35mm ID	7	
1	COLOR=BLACK, PVC	STRAIN RELIEF, OVERMOLD, COLOR: BLACK	6	
1	COLOR=YELLOW, PMS 102, PVC	STRAIN RELIEF, OVERMOLD, COLOR: YELLOW	5	
12	1650161-5	CONTACT, PIN, No.20, CRIMP	4	
2	1651391-1	HOUSING, REAR INSERT	3	
B	1	1651388-1	HOUSING, PIN, FRONT, RIGHT KEY SLOT	2
A	1	1651387-1	HOUSING, PIN, FRONT, LEFT KEY SLOT	1
DESIGNATOR	QTY	PART NO.	DESCRIPTION	ITEM
	-1			

DIMENSIONS: mm TOLERANCES UNLESS OTHERWISE SPECIFIED: 9 PLC ±.5 1 PLC ±0.25 5 PLC ±.25 4 PLC ±.25 ANGLES ±.25 FINISH		DWN: 08JUL2009 CHN: HAN/GRZYBOWSKI D. ORRIS APPD: 08JUL2009 CHAU/PERCHERAE		Tyco Electronics Harrisburg, PA 17105-3608	
MATERIAL: - FINISH: -		NAME: CABLE ASSEMBLY, COILED CORD PRODUCT SPEC: PIN CONTACT, 6X No.20, DATA CONNECTOR APPLICATION SPEC: PN: 902-0131-00100E		SIZE: A100779 CAGE CODE: C=1651610 DRAWING NO: - RESTRICTED TO: -	
CUSTOMER DRAWING		SCALE: 3:4		SHEET 1 OF 5 REV H	

LOC	DIST	REV	DATE	BY	APPD
GP	00	1			
REVISIONS			DESCRIPTION	DATE	DWN
			SEE SHEET 1		

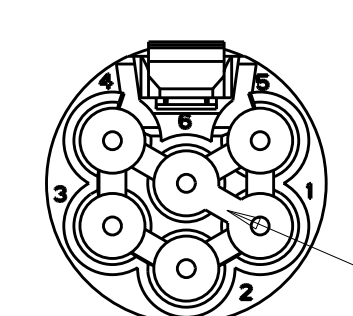


DETAIL ITEM 6
SCALE 5:1



RIGHT KEY FEATURE
B CONNECTOR

CONNECTOR B
FROM VIEW A-A
SCALE 2:1



LEFT KEY FEATURE
A CONNECTOR

CONNECTOR A
FROM VIEW A-A
SCALE 2:1

A SIDE

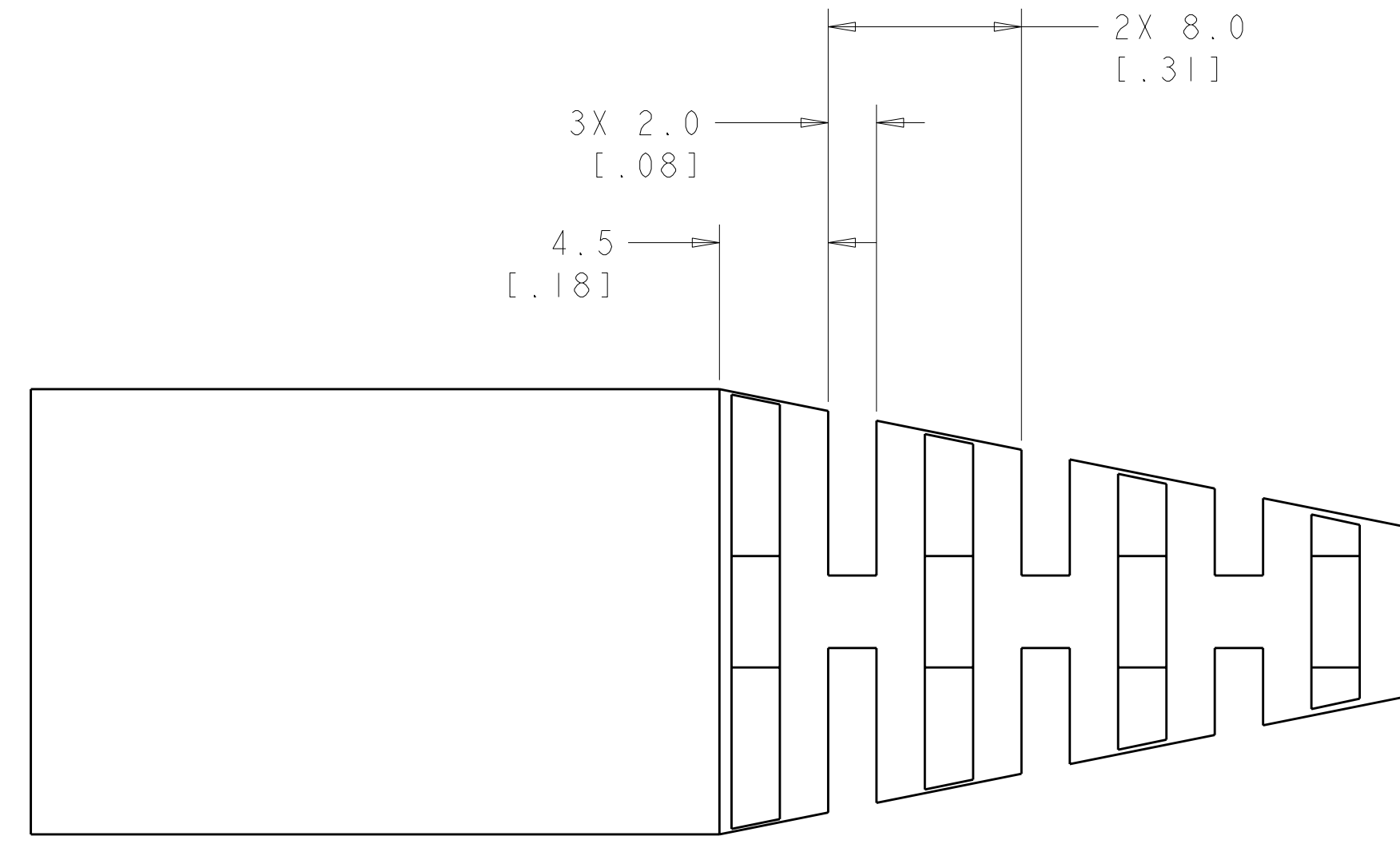
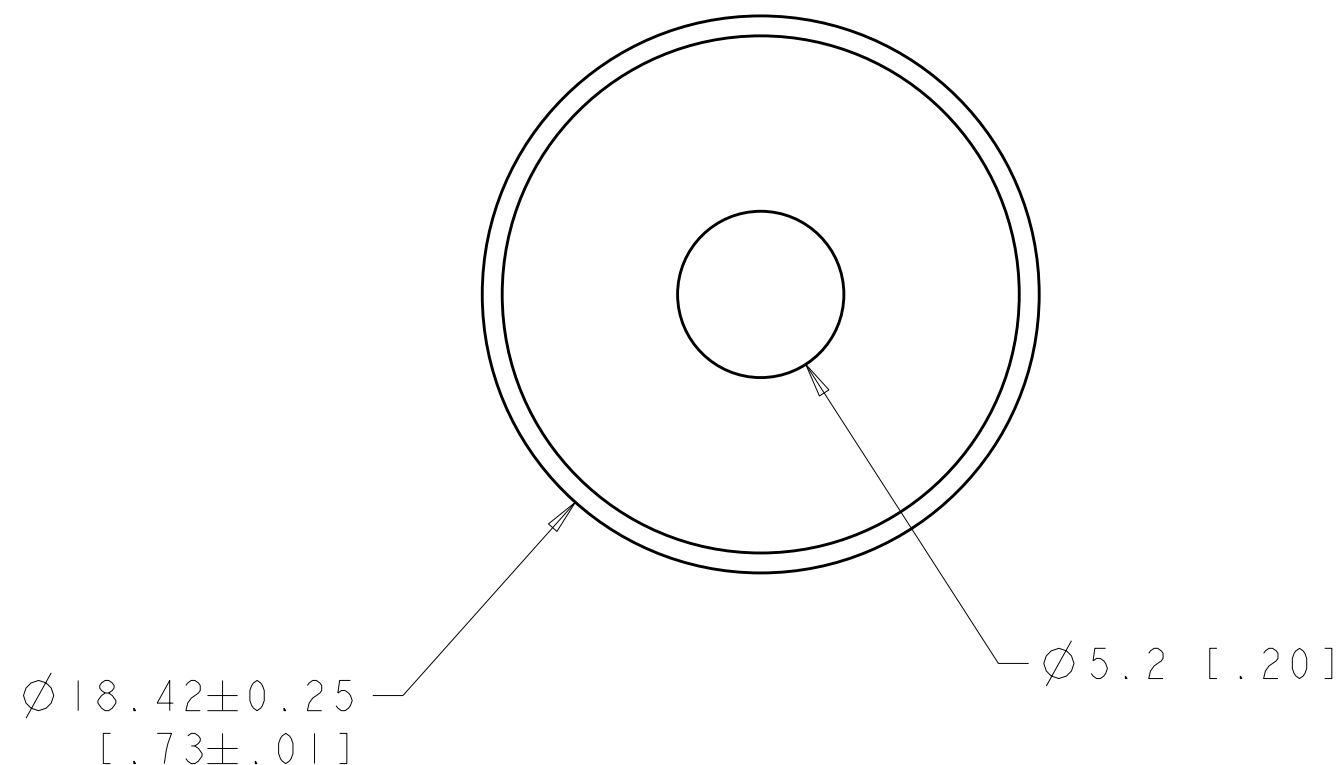
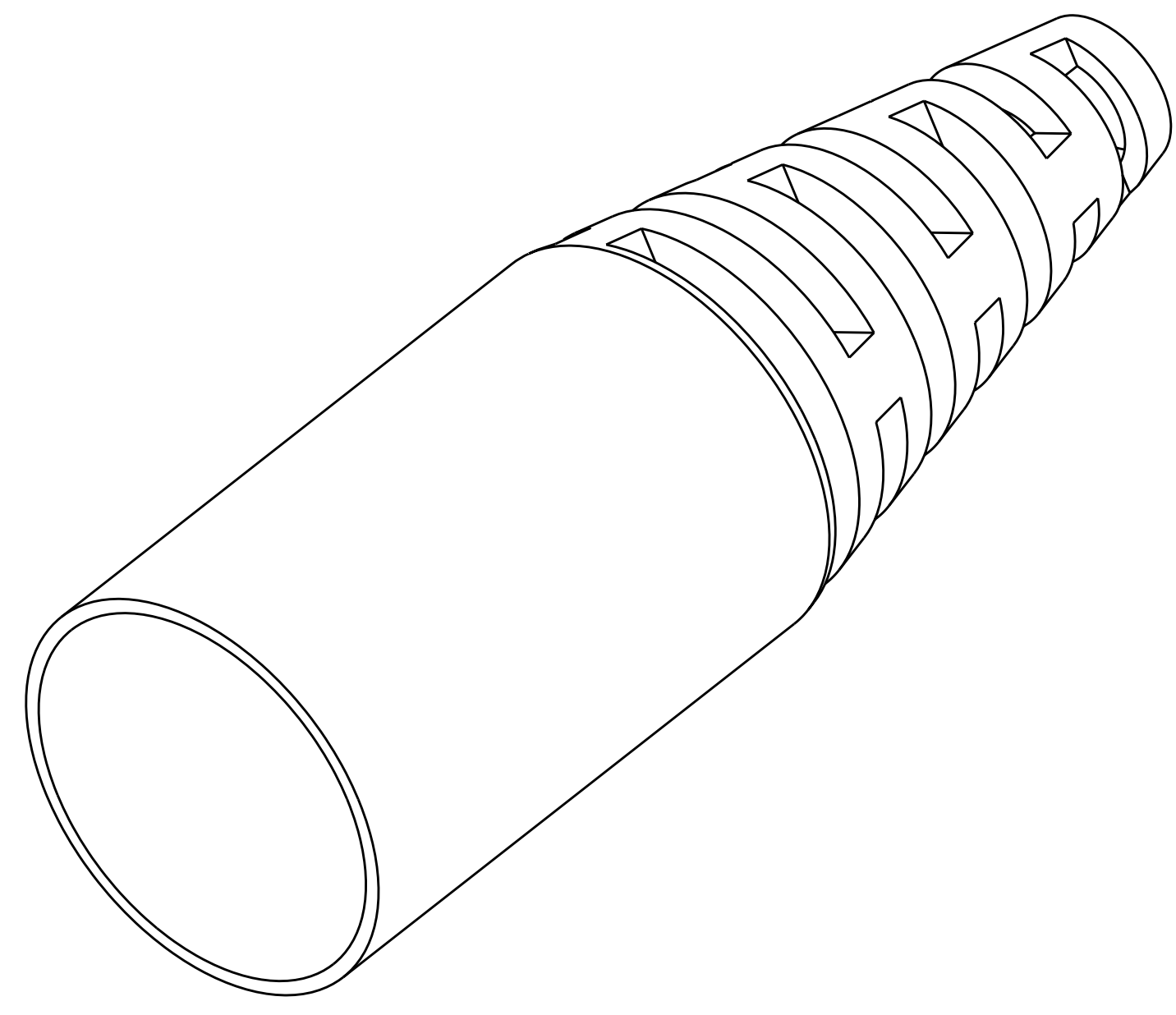
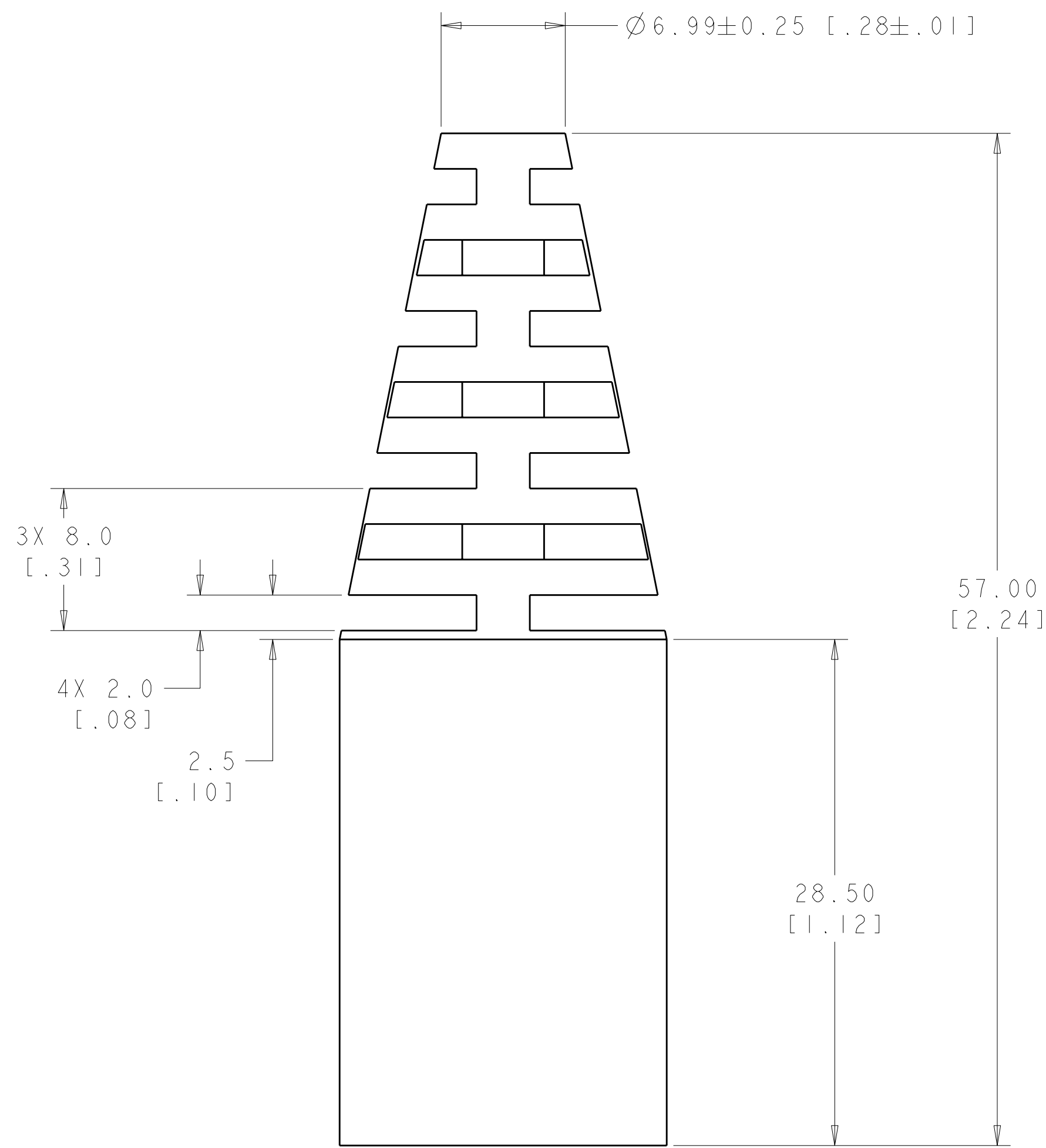
B SIDE

MOLEX CONNECTOR (J3) PIN NUMBER	WIRE COLOR	TYCO ELECTRONICS CONNECTOR (A) PIN NUMBER	SIGNAL NAME
1	PINK	6	PGNDA
TO ITEM 8	SEE ITEM 18	2	SHIELD
2	BLACK	3	WAKEA
3	RED	4	CANLA
4	GREEN	5	CANHA
5	PURPLE	1	PWR1NA

MOLEX CONNECTOR (J2) PIN NUMBER	WIRE COLOR	TYCO ELECTRONICS CONNECTOR (B) PIN NUMBER	SIGNAL NAME
5	BROWN	2	PGNDB
TO ITEM 8	SEE ITEM 18	6	SHIELD
4	GRAY	3	WAKEB
3	YELLOW	4	CANLB
2	BLUE	5	CANHB
1	ORANGE	1	PWR1NB

DIMENSIONS: mm 		TOLERANCES UNLESS OTHERWISE SPECIFIED: 0 PLC ± 1 PLC ±0.5 2 PLC ±0.25 3 PLC ± 4 PLC ± ANGLES ±#2 FINISH		DWN 08 JUL 2009 CHN/GRZYBOWSKI CHK D ORRIS APVD CHAU/PERCHERAE 08 JUL 2009 PRODUCT SPEC APPLICATION SPEC WEIGHT CUSTOMER DRAWING		Tyco Electronics Harrisburg, PA 17105-3608 NAME: CABLE ASSEMBLY, COILED CORD PIN CONTACT, 6X No.20, DATA CONNECTOR PN: 902-0131-00100E SIZE CAGE CODE DRAWING NO. RESTRICTED TO A100779C-1651610 SCALE 3:4 SHEET 2 OF 5 REV H	
--------------------	--	--	--	---	--	--	--

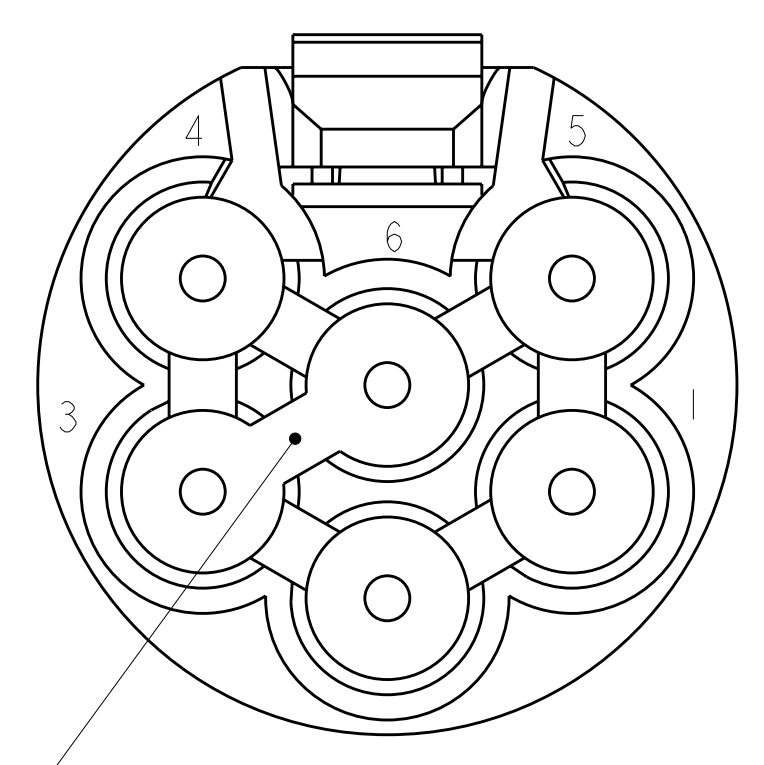
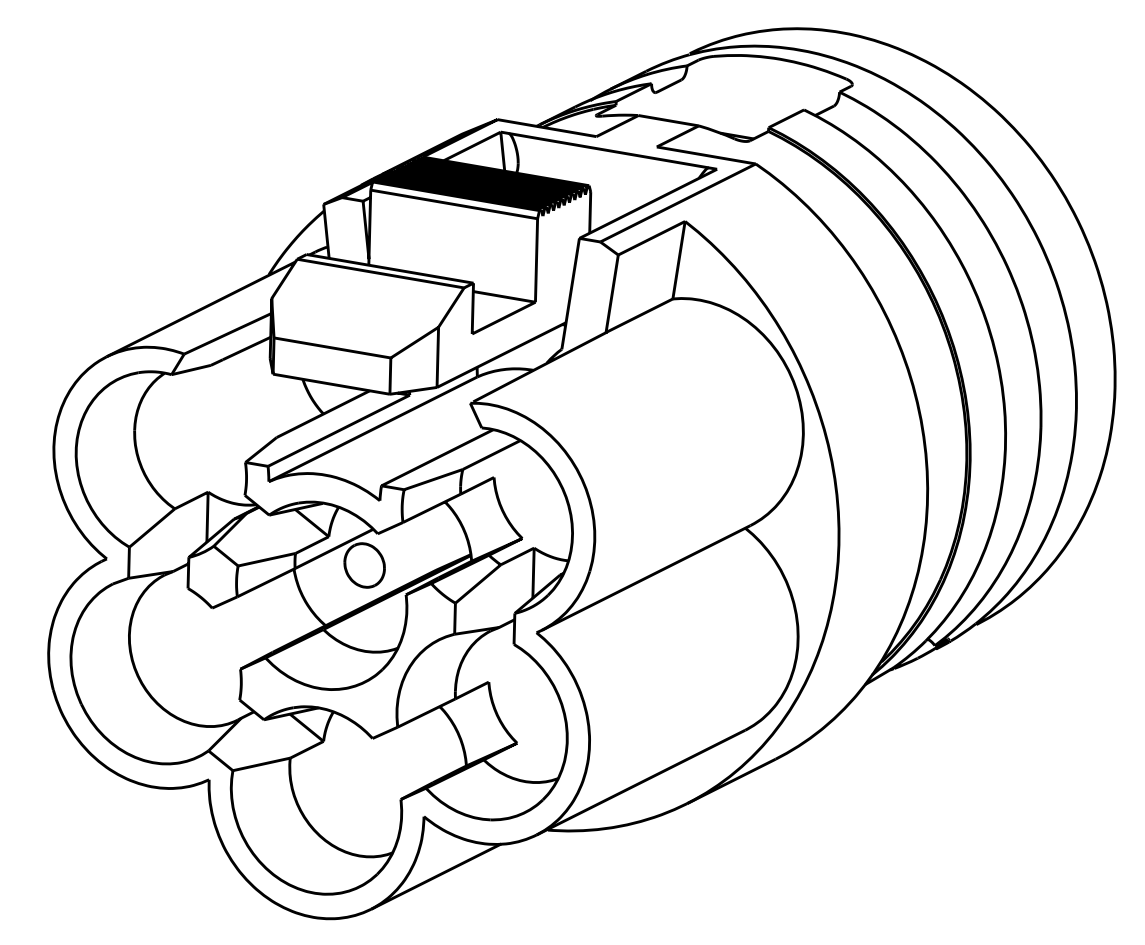
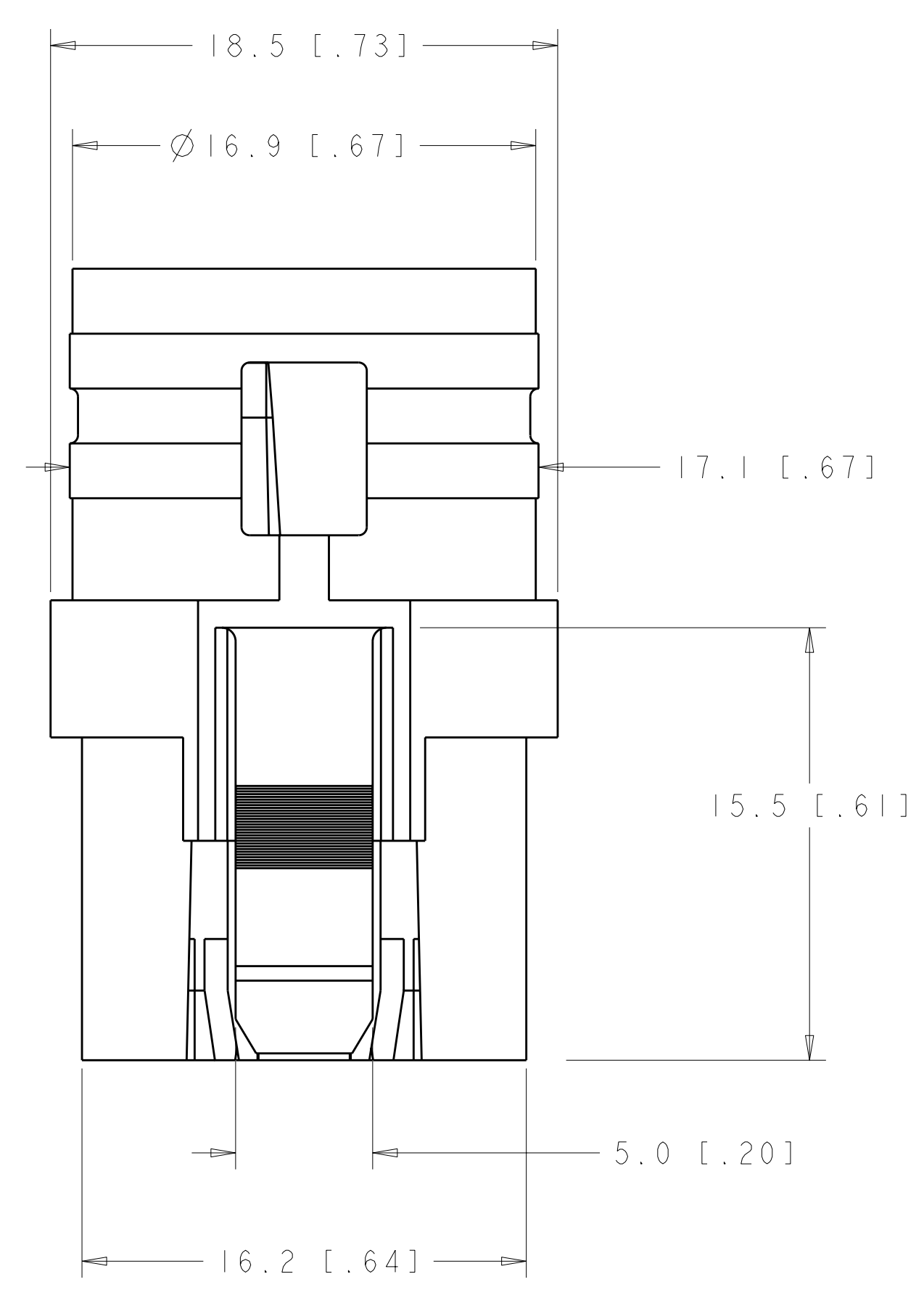
LOC	DIST	REVISIONS			
P	LTB	DESCRIPTION	DATE	DWN	APVD
GP	00	SEE SHEET 1	-	-	-



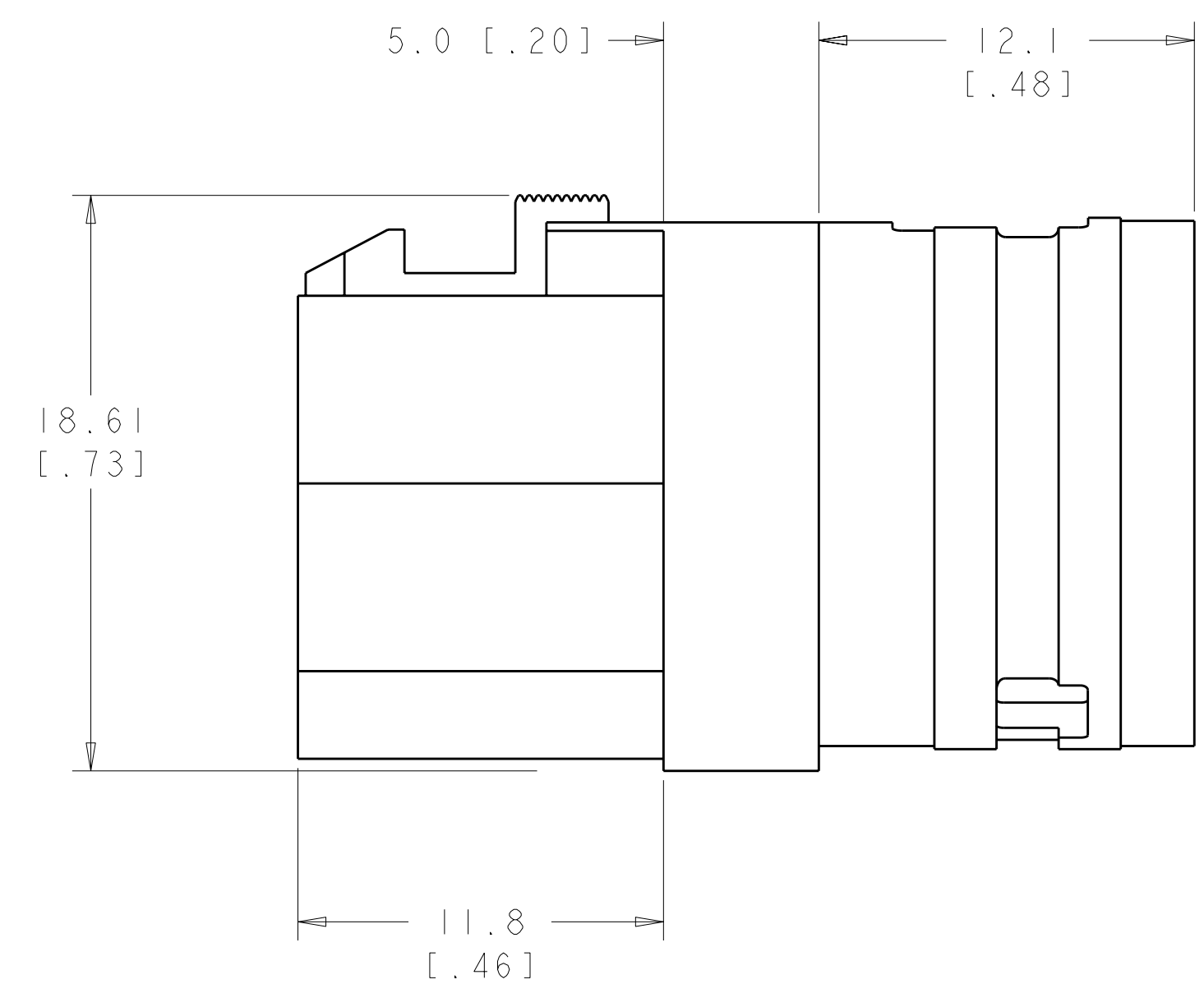
STRAIN RELIEF IS PART OF THE CABLE ASSEMBLY
 SHOWN FOR REFERENCE INFORMATION ONLY

<small>THIS DRAWING IS UNPUBLISHED. RELEASED FOR PUBLICATION BY TYCO ELECTRONICS CORPORATION. ALL RIGHTS RESERVED. THIS DRAWING IS UNPUBLISHED. RELEASED FOR PUBLICATION BY TYCO ELECTRONICS CORPORATION, ALL RIGHTS RESERVED.</small>		DWN: 08 JUL 2009 CHK: HAN/GRZYBOWSKI APVD: 08 JUL 2009 CHK: D. ORRIS APVD: CHAU/PERCHERAE	Tyco Electronics Harrisburg, PA 17105-3608
DIMENSIONS: mm 	TOLERANCES UNLESS OTHERWISE SPECIFIED: 0 PLC ± 1 PLC ±0.5 2 PLC ±0.25 3 PLC ± 4 PLC ± ANGLES ±#2 FINISH	NAME: CABLE ASSEMBLY, COILED CORD PRODUCT SPEC: PIN CONTACT, 6X No.20, DATA CONNECTOR APPLICATION SPEC: PN: 902-0131-00100E SIZE: A 00779 C=1651610 WEIGHT: - CUSTOMER DRAWING	RESTRICTED TO: - SCALE: 3:4 SHEET: 3 OF 5 REV: H

LOC	DIST	REVISIONS			
P	LTB	DESCRIPTION	DATE	DWN	APVD
GP	00	SEE SHEET 1	-	-	-



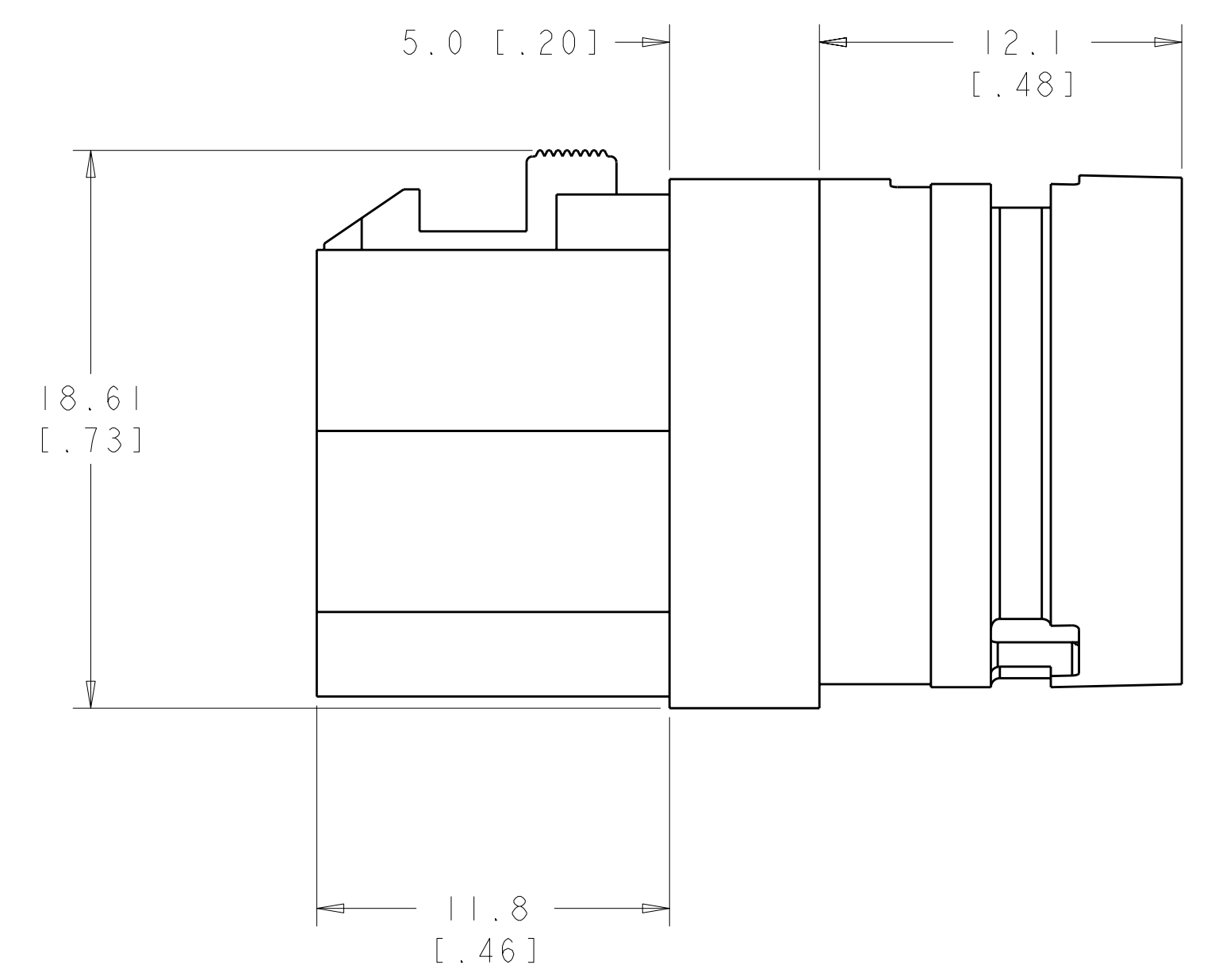
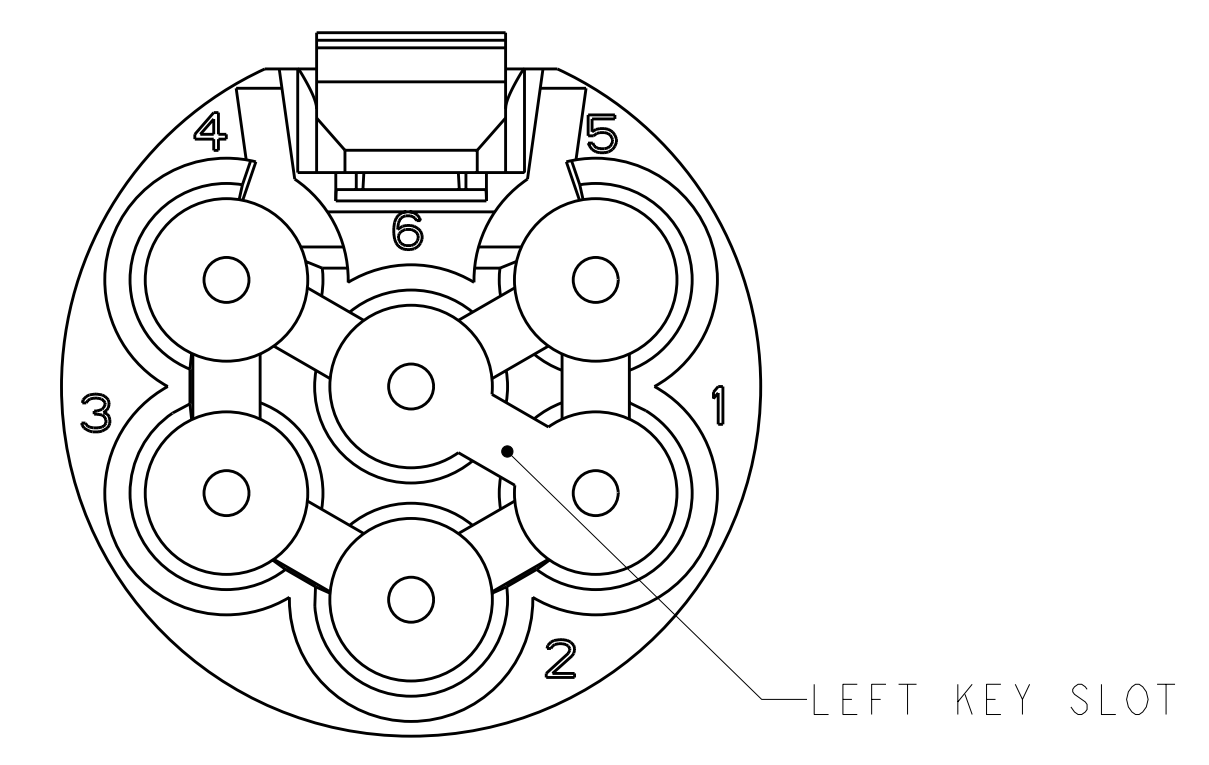
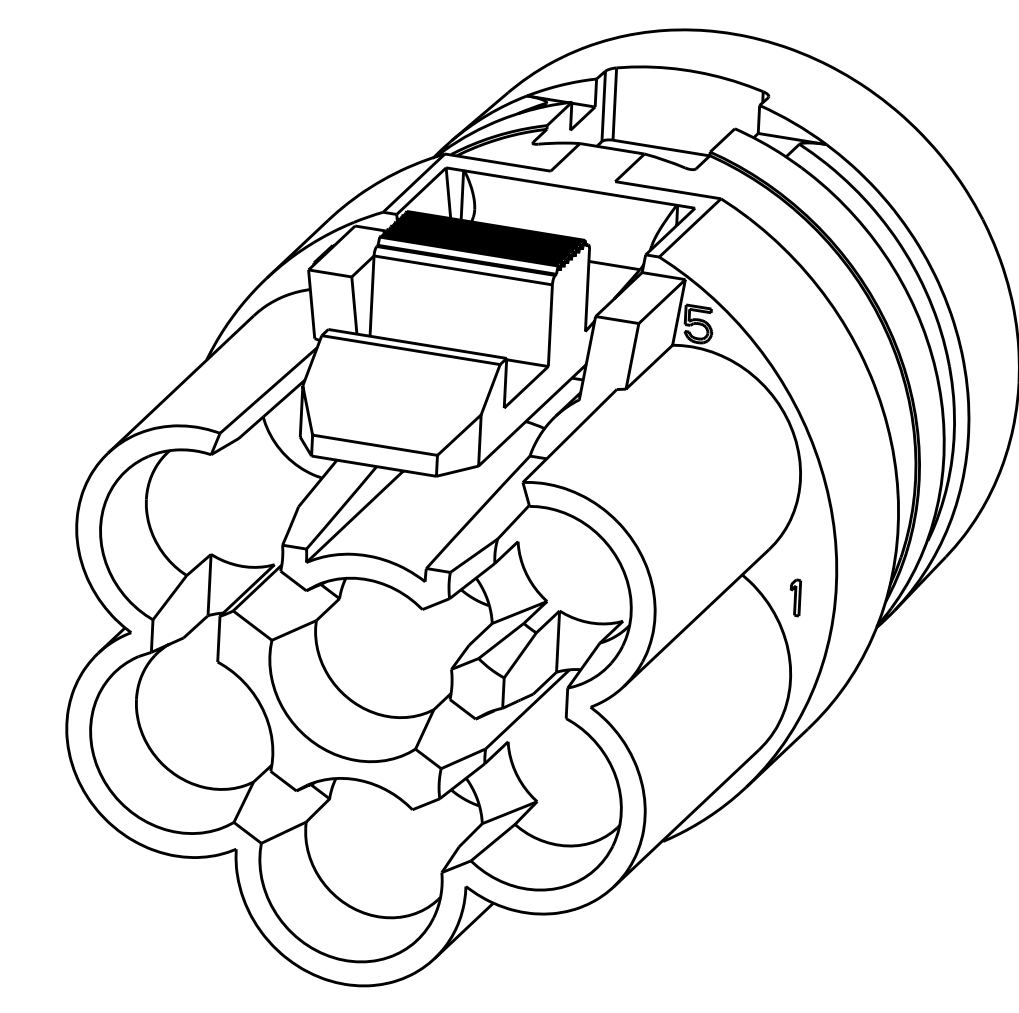
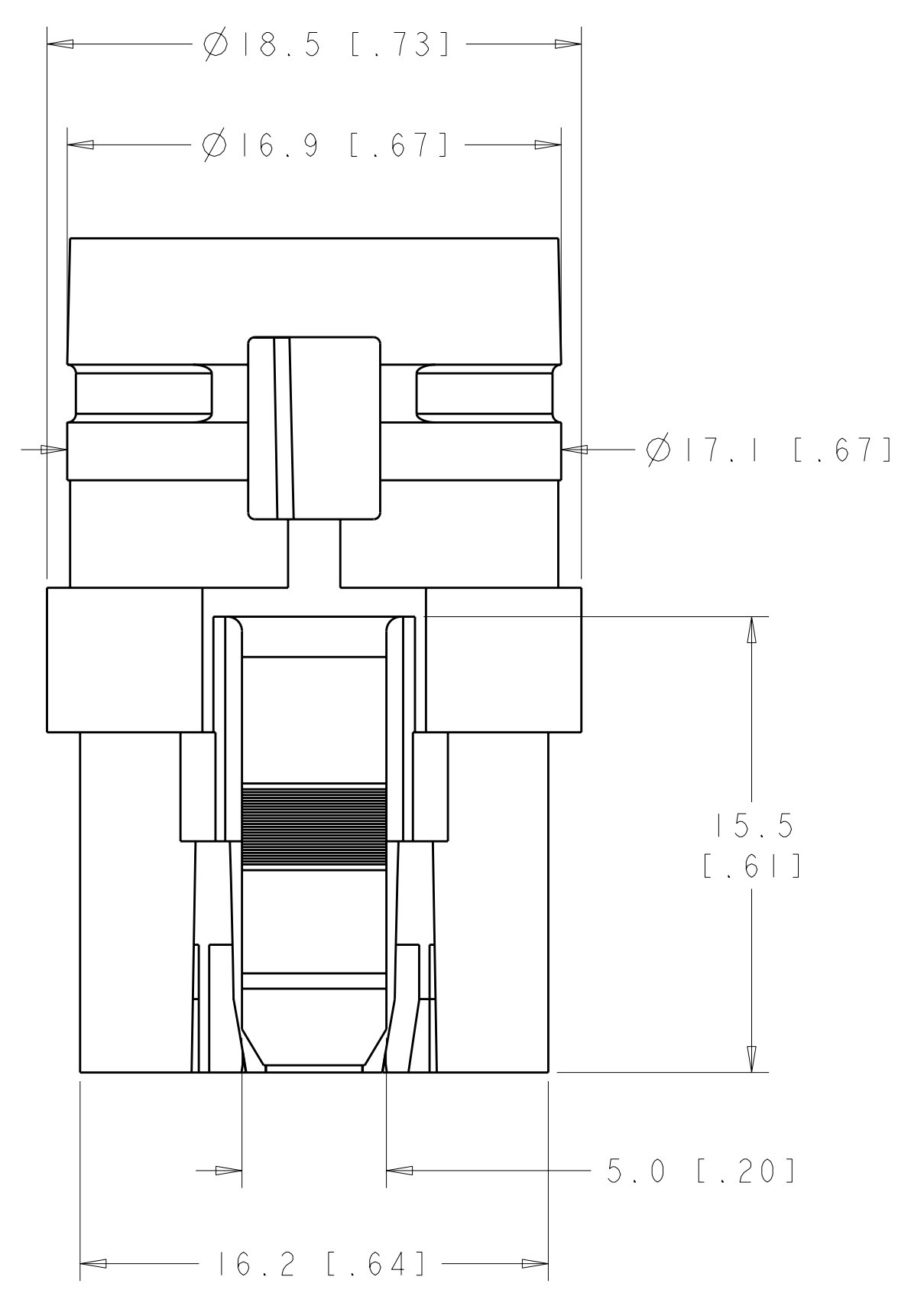
RIGHT KEY SLOT



PIN HOUSING, RIGHT KEY IS PART OF THE CABLE ASSEMBLY SHOWN FOR REFERENCE INFORMATION ONLY

<small>THIS DRAWING IS UNPUBLISHED. RELEASED FOR PUBLICATION BY TYCO ELECTRONICS CORPORATION. IT IS SUBJECT TO CHANGE WITHOUT NOTICE AND CONSTRUCTION DIMENSIONS SHOULD BE CONTACTED FOR THE LATEST REVISION.</small>		DWN: 08 JUL 2009 CHN: HAN/GRZYBOWSKI APVD: 08 JUL 2009 CHN: CHAU/PERCHERAE	Tyco Electronics Harrisburg, PA 17105-3608
DIMENSIONS: mm 	TOLERANCES UNLESS OTHERWISE SPECIFIED: 9 PLC ±.5 1 PLC ±0.5 2 PLC ±0.25 5 PLC ±.5 4 PLC ±.5 ANGLES ±.2 FINISH	NAME: CABLE ASSEMBLY, COILED CORD PRODUCT SPEC: PIN CONTACT, 6X No.20, DATA CONNECTOR APPLICATION SPEC: PN: 902-0131-00100E	SIZE: A 00779 C=1651610 CAGE CODE: 1651610 DRAWING NO: 902-0131-00100E
MATERIAL: -	FINISH: -	WEIGHT: -	RESTRICTED TO: -
CUSTOMER DRAWING		SCALE: 3:4	SHEET 4 OF 5 REV H

LOC	DIST	REVISIONS			
P	LTB	DESCRIPTION	DATE	DWN	APVD
GP	00	SEE SHEET 1	-	-	-



PIN HOUSING, LEFT KEY IS PART OF THE CABLE ASSEMBLY SHOWN FOR REFERENCE INFORMATION ONLY

<small>THIS DRAWING IS UNPUBLISHED. RELEASED FOR PUBLICATION BY TYCO ELECTRONICS CORPORATION. ALL RIGHTS RESERVED. THIS DRAWING IS UNPUBLISHED. RELEASED FOR PUBLICATION BY TYCO ELECTRONICS CORPORATION. ALL RIGHTS RESERVED.</small>		DWN 08 JUL 2009 HAN/GRZYBOWSKI CHK D. ORRIS APVD CHAU/PERCHERAE PRODUCT SPEC APPLICATION SPEC WEIGHT CUSTOMER DRAWING	Tyco Electronics Harrisburg, PA 17105-3608 NAME CABLE ASSEMBLY, COILED CORD PIN CONTACT, 6X No.20, DATA CONNECTOR PN: 902-0131-00100E SIZE CAGE CODE DRAWING NO A100779C-1651610 SCALE 3:4 SHEET 5 OF 5 REV H
DIMENSIONS: mm 	TOLERANCES UNLESS OTHERWISE SPECIFIED: 9 PLC ± 1 PLC ±0.5 2 PLC ±0.25 3 PLC ± 4 PLC ± ANGLES ± FINISH ±#2	RESTRICTED TO	RESTRICTED TO