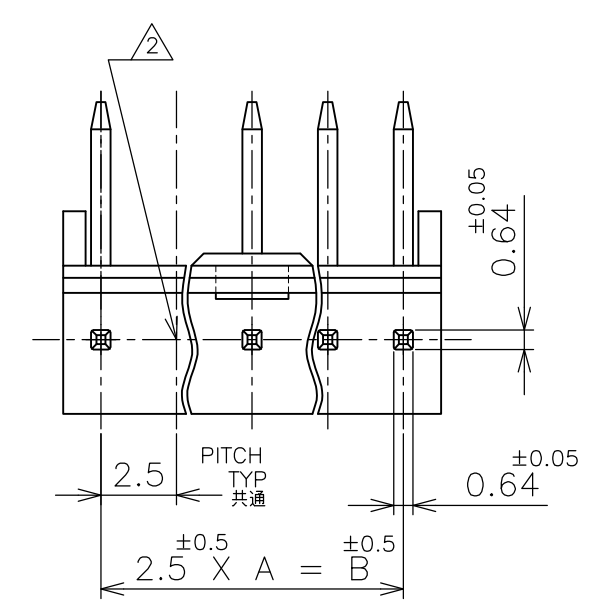


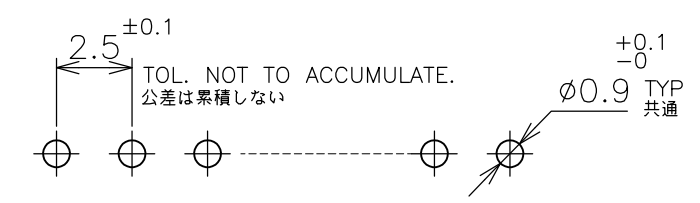
THIS DRAWING IS UNPUBLISHED. RELEASED FOR PUBLICATION MAY, 1978.
 © COPYRIGHT 1978 BY TYCO ELECTRONICS CORPORATION. ALL RIGHTS RESERVED.

LOC	DIST	REVISIONS					
J	—	P	LTR	DESCRIPTION	DATE	DWN	APVD
			A1	REVISED PER ECO-09-024717	04NOV09	KK	AEG

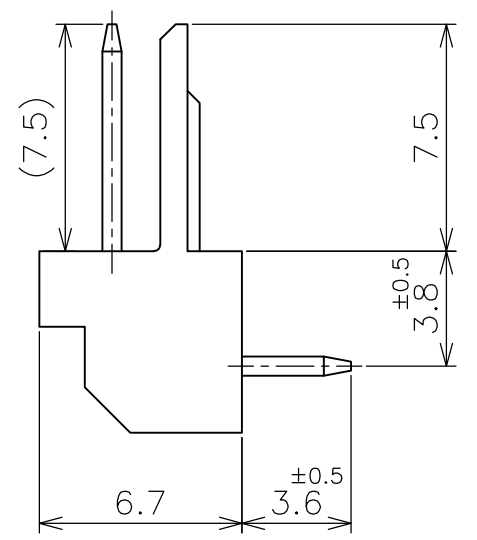
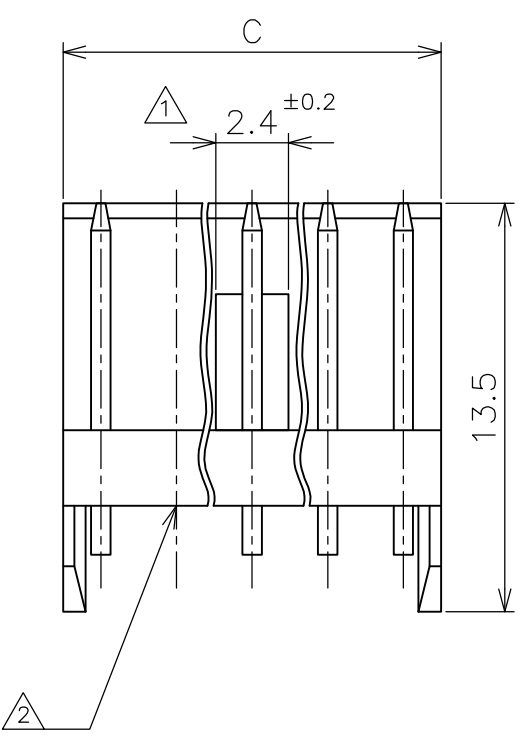


- ① LOCKING HOLE IS PLACED ON THE CENTER OF POST HEADER.
- ② POST MUST NOT BE INSERTED ON THE SECOND HOLE FROM LEFT SIDE OF HSG AS SHOWN.
- ③ OBSOLETE PARTS: OBSOLETE CIS STREAMLINING PER D.RENAUD/D.SINISI

- ① ロッキング凹部位置は長手方向の中央。
- ② 本図にて、ハウジングの左端から二番目の穴へはポストを圧入しないこと。



RECOMMENDED BOARD LAYOUT (1.6 THK)
取付基板穴寸法(基板厚 1.6t)



OBSOLETE		30.0	27.5	11	11	—1—171887—2
OBSOLETE		25.0	22.5	9	9	—1—0
OBSOLETE	③	22.5	20.0	8	8	—9
	NATURAL 自然色	20.0	17.5	7	7	—8
		17.5	15.0	6	6	—7
		15.0	12.5	5	5	—6
		12.5	10.0	4	4	—5
OBSOLETE	③	10.0	7.5	3	3	—171887—4
	HOUSING COLOR ハウジング色	C ±0.2	B ±0.5	A	NO OF POS 極数	PART NUMBER 型番

THIS DRAWING IS A CONTROLLED DOCUMENT.		DWN T.DOI 30MAY78	Tyco Electronics AMP K.K. Kawasaki, Japan	
DIMENSIONS: 単位: 耗 MM	TOLERANCES UNLESS OTHERWISE SPECIFIED: 一般公差	CHK H.TAGUCHI 30MAY78	NAME 名称	
	0 PLC ± 0.3	APVD H.TAGUCHI 30MAY78	PRODUCT SPEC 製品規格	
	1 PLC ± 0.3		APPLICATION SPEC 取付適用規格	
MATERIAL 材料 HSG : 66NYLON UL94V-0 POST: BRASS	FINISH 仕上 POST: TIN-PLATE	WEIGHT	SIZE A3	CAGE CODE 00779
CUSTOMER DRAWING		DRAWING NO 番号 C-171887	RESTRICTED TO —	
		SCALE 尺度 4:1	SHEET 1 OF 1	REV A1