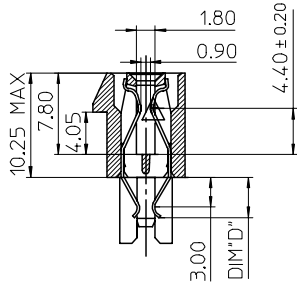
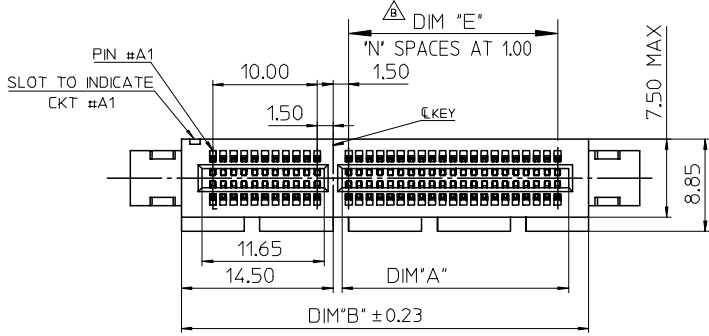
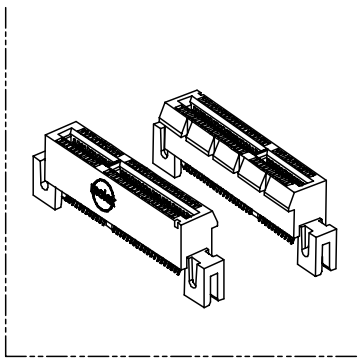


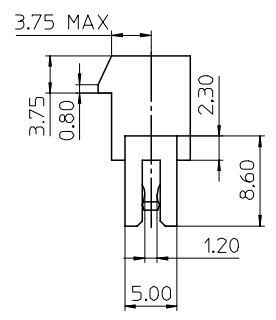
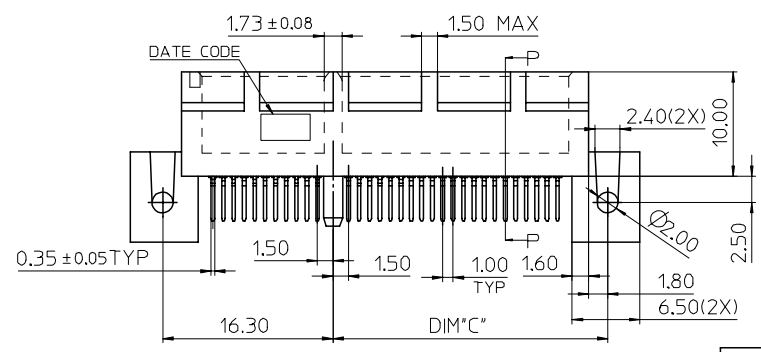
7 6 5 4 3 2 1



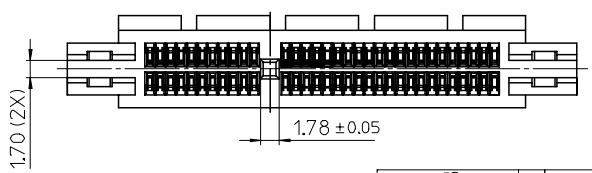
DIM "D"	PCB THK (REF)
4.10	1.57



SECTION P-P



- NOTES:
- MATERIAL:
HOUSING: NYLON 46 .GLASS FIBER FILLED UL94V-0, COLOR:BLACK
CONTACT: PHOSPHOR BRONZE.
 - PLATING:
CONTACT AREA: SEE TABLE
SOLDER TAIL: 100 MICRINCH MINIMUM TIN
UNDER PLATING: NICKEL OVERALL
 - DATE CODE: X X X X C
 WEEK (1~52)
 YEAR (05 : 2005)
 - PRODUCT SPECIFICATION REFER TO PS-48248-001.
 - PACKAGING SPECIFICATION REFER TO PK-48248-001.
 - TEST SUMMARY:REFER TO TS-848248-001.
 - LEAD-FREE AND ROHS COMPLIANCE PRODUCT



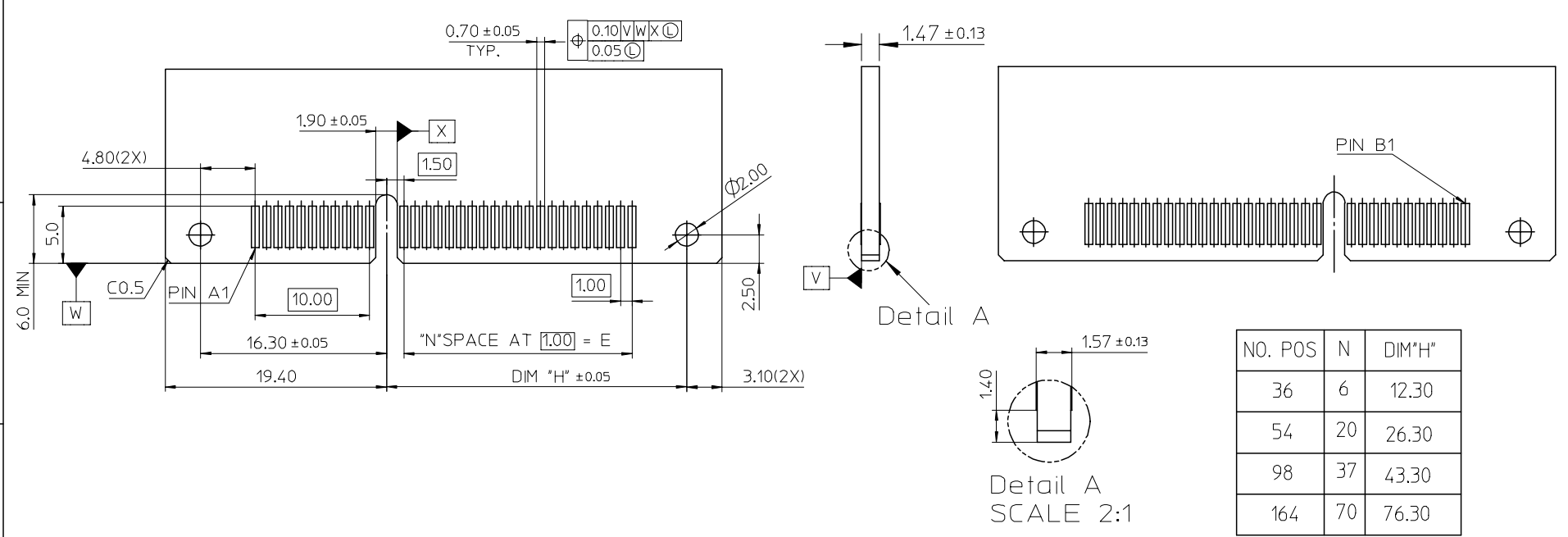
CONNECTOR LINK WIDTH	# POS REF	N	DIM 'A'	DIM 'B'	DIM 'C'	DIM 'E'
X1	36	6	7.65	25.00	12.30	6.00
X4	64	20	21.65	39.00	26.30	20.00
X8	98	37	38.65	56.00	43.30	37.00
X16	164	70	71.65	89.00	76.30	70.00

E
D
C
B
A

E
D
C
B
A

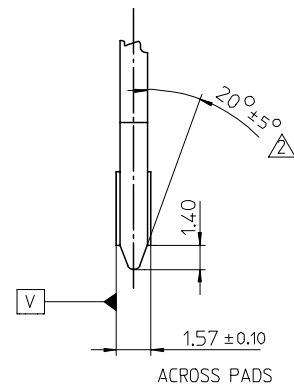
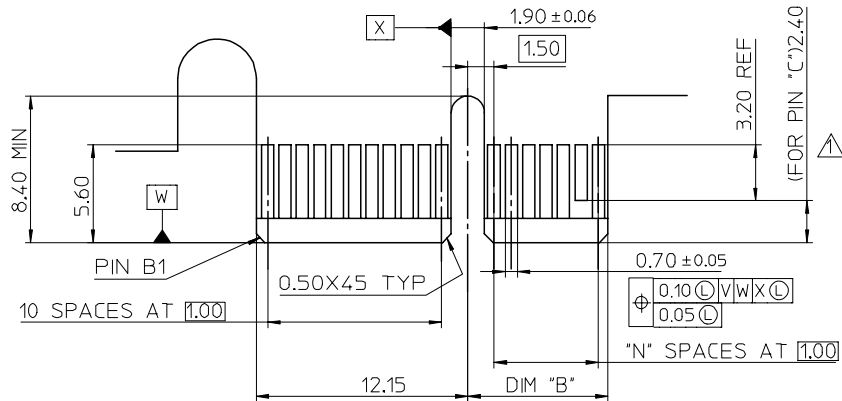
REVISED DRAWING EC NO: SH2006-0742 DRWN:ALL IN 2006/05/18 CHKD: 2006/05/18 APPR:WWSCHANG 2006/05/29	QUALITY SYMBOLS ▽=0 ◻=0	GENERAL TOLERANCES (UNLESS SPECIFIED)		DIMENSION STYLE MM ONLY		SCALE	DESIGN UNITS METRIC	THIRD ANGLE PROJECTION	
			mm	INCH	DRAWN BY KEN LEE	DATE 2005/09/26	TITLE PCI EXPRESS RIGHT ANGLE STRADDLE SOCKET (LEAD FREE VERSION)		
		4 PLACES	± ---	± ---	CHECKED BY ALL IN	DATE 2005/09/27			
		3 PLACES	± ---	± ---	APPROVED BY WWSCHANG	DATE 2005/09/27			
			ANGULAR ± 3 °		MATERIAL NO. SEE TABLE	DOCUMENT NO. SD-48248-001		SHEET NO. 1 OF 4	
			DRAFT WHERE APPLICABLE MUST REMAIN WITHIN DIMENSIONS		SIZE A 4	THIS DRAWING CONTAINS INFORMATION THAT IS PROPRIETARY TO MOLEX INCORPORATED AND SHOULD NOT BE USED WITHOUT WRITTEN PERMISSION			

6 5 4 3 2 1

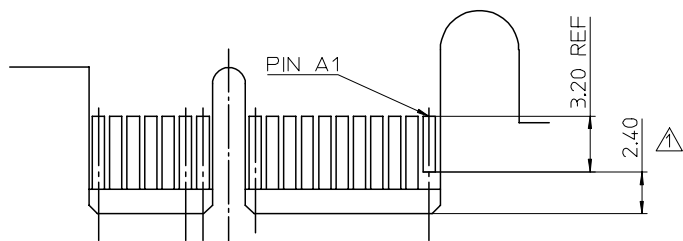


RECOMMEND OF PCB DIMENSIONS

SEE SHEET 1 EC NO: SH2006-0742 DRWN: ALL IN 2006/05/18 CHKD: 2006/05/18 APPR: WWSCHANG 2006/05/29	QUALITY SYMBOLS	GENERAL TOLERANCES (UNLESS SPECIFIED)	DIMENSION STYLE	SCALE	DESIGN UNITS	THIRD ANGLE PROJECTION															
	▼=0 ◻=0	<table border="1"> <thead> <tr> <th></th> <th>mm</th> <th>INCH</th> </tr> </thead> <tbody> <tr> <td>4 PLACES</td> <td>± ---</td> <td>± ---</td> </tr> <tr> <td>3 PLACES</td> <td>± ---</td> <td>± ---</td> </tr> <tr> <td>2 PLACES</td> <td>± 0.25</td> <td>± ---</td> </tr> <tr> <td>1 PLACE</td> <td>± 0.25</td> <td>± ---</td> </tr> </tbody> </table> ANGULAR ± 3 °		mm	INCH	4 PLACES	± ---	± ---	3 PLACES	± ---	± ---	2 PLACES	± 0.25	± ---	1 PLACE	± 0.25	± ---	MM ONLY	1:1	METRIC	THIRD ANGLE PROJECTION
		mm	INCH																		
	4 PLACES	± ---	± ---																		
	3 PLACES	± ---	± ---																		
2 PLACES	± 0.25	± ---																			
1 PLACE	± 0.25	± ---																			
DESCRIPTION	DRAWN BY	DATE	TITLE																		
REV	KEN LEE	2005/09/26	PCI EXPRESS RIGHT ANGLE STRADDLE SOCKET (LEAD FREE VERSION)																		
	ALL IN	2005/09/27	MOLEX INCORPORATED																		
	APPROVED BY	DATE	MATERIAL NO.	DOCUMENT NO.	SHEET NO.																
	WWSCHANG	2005/09/27	SEE TABLE	SD-48248-001	2 OF 4																
			THIS DRAWING CONTAINS INFORMATION THAT IS PROPRIETARY TO MOLEX INCORPORATED AND SHOULD NOT BE USED WITHOUT WRITTEN PERMISSION																		



← I/O PANEL DIRECTION
PRIMARY (COMPONENT) SIDE



I/O PANEL DIRECTION →
SECONDARY (SOLDER) SIDE

- △ NO TIE BAR PERMITTED FROM CARD EDGE TO LEADING EDGE OF PAD FOR PINS A1 AND "C".
- △ CHAMFER EDGES MUST BE FREE OF CUTTING BURRS.

△ TOLERANCE: .XX ± .13

CONNECTOR LINK WIDTH	# POS REF	N	DIM 'B'	'C' △
X1	36	6	8.15	B17
X4	64	20	22.15	B17, B31
X8	98	37	39.15	B17, B31 B48
X16	164	70	72.15	B17, B31 B48, B81

SEE SHEET 1 EC NO: SH2006-0742 DRWN: ALL IN CHKD: APPR: WWSCHANG	2006/05/18 2006/05/18 2006/05/29	QUALITY SYMBOLS ▽ = 0 ◻ = 0	GENERAL TOLERANCES (UNLESS SPECIFIED)		DIMENSION STYLE MM ONLY		SCALE 1:1	DESIGN UNITS METRIC	THIRD ANGLE PROJECTION			
						DRAWN BY KEN LEE	DATE 2005/09/26	TITLE PCI EXPRESS RIGHT ANGLE STRADDLE SOCKET (LEAD FREE VERSION)				
						CHECKED BY ALL IN	DATE 2005/09/27					
							APPROVED BY WWSCHANG	DATE 2005/09/27	MOLEX INCORPORATED			
							MATERIAL NO. SEE TABLE	DOCUMENT NO. SD-48248-001				
			DRAFT WHERE APPLICABLE MUST REMAIN WITHIN DIMENSIONS		SIZE A4	THIS DRAWING CONTAINS INFORMATION THAT IS PROPRIETARY TO MOLEX INCORPORATED AND SHOULD NOT BE USED WITHOUT WRITTEN PERMISSION						

7 6 5 4 3 2 1

E

E

D

D

C

C

B

B

A

A



MOLEX P/N	CKT	CONTACT PLATING
48248-0001	36	GOLD FLASH
48248-0002		15 MICROINCH
48248-0003		30 MICROINCH
48248-0101	64	GOLD FLASH
48248-0102		15 MICROINCH
48248-0103		30 MICROINCH
48248-0201	98	GOLD FLASH
48248-0202		15 MICROINCH
48248-0203		30 MICROINCH
48248-0301	164	GOLD FLASH
48248-0302		15 MICROINCH
48248-0303		30 MICROINCH

SEE SHEET 1 EC NO: SH2006-0742 DRWN: ALL IN CHKD: APPR: WWSCHANG	2006/05/18 2006/05/18 2006/05/29	DESCRIPTION REV	QUALITY SYMBOLS	GENERAL TOLERANCES (UNLESS SPECIFIED)		DIMENSION STYLE		SCALE	DESIGN UNITS	THIRD ANGLE PROJECTION
			= 0 = 0	mm	INCH	MM ONLY	1:1	METRIC	DRAWN BY DATE KEN LEE 2005/09/26 CHECKED BY DATE ALL IN 2005/09/27 APPROVED BY DATE WWSCHANG 2005/09/27	TITLE PCI EXPRESS RIGHT ANGLE STRADDLE SOCKET (LEAD FREE VERSION)
				4 PLACES ± ---	± ---					
				3 PLACES ± ---	± ---					
				2 PLACES ± 0.25	± ---					
	1 PLACE ± 0.25	± ---								
DRAFT WHERE APPLICABLE MUST REMAIN WITHIN DIMENSIONS				ANGULAR ± 3 °		MATERIAL NO.		DOCUMENT NO.		SHEET NO.
				SEE TABLE		SD-48248-001		4 OF 4		
				SIZE A 4		THIS DRAWING CONTAINS INFORMATION THAT IS PROPRIETARY TO MOLEX INCORPORATED AND SHOULD NOT BE USED WITHOUT WRITTEN PERMISSION				

6

5

4

3

2

1