

4

3

2

1

THIS DRAWING IS UNPUBLISHED. RELEASED FOR PUBLICATION  
© COPYRIGHT 2011 BY TYCO ELECTRONICS CORPORATION. ALL RIGHTS RESERVED.

| LOC | DIST | REVISIONS |     |                         |           |     |      |
|-----|------|-----------|-----|-------------------------|-----------|-----|------|
| DW  | /    | P         | LTR | DESCRIPTION             | DATE      | DWN | APVD |
|     |      | B4        |     | REVISED (ECR-15-013569) | 23DEC2015 | B.L | H.W  |

D

D

LOGO & DATE CODE  
PIN 1, PIN 4, GROUND PANEL B 4 PLC  
PIN 1', PIN 4', GROUND PANEL A TYP  
16.8, 8.50, 4.13, 1.9, 2.50, 2.00, 13.5, 15.60

1.1, 17.0, 4 PLC, 1.2, 3.90, 2.71, 5.33, 10.30, 5.70, 3.18

NOTES:

- MATERIAL:**  
 HOUSING: THERMOPLASTIC (SEE TABLE), WITH 30% GF, UL 94V-0, BLACK COLOR.  
 CONTACT: PHOSPHOR BRONZE, (t=0.25mm).  
 SHIELD: COLD ROLL STEEL, (t=0.35mm)  
 GROUNDING STRIP: STAINLESS, (t=0.20 & 0.25mm)
- FINISH:**  
 CONTACT: 0.762µm [30µ"] MIN. GOLD PLATING ON CONTACT AREA,  
 3.81µm [150µ"] MIN. BRIGHT TIN PLATING ON SOLDER TAILS,  
 1.27µm [50µ"] MIN. NICKEL UNDERPLATING OVERALL.  
 SHIELD: 3.048µm [120µ"] MIN. NICKEL PLATED OVERALL.

⚠ WAVE SOLDER CAPABLE TO 245°C PER TE SPEC109-201, CONDITION A.  
 ⚠ REFLOW SOLDER CAPABLE TO 260°C PER TE SPEC 109-201, CONDITION B.

C

C

2.50, 2.00, 5.68, 2.71, 10.00 REF., 13.14  
 P.C.B EDGE, CONNECTOR OUTLINE  
 4 PLC, 2 PLC, 8 PLC,  $\phi 0.9 \pm 0.08$

17.30 REF., 0.65 TYP

REAR VIEW

|          |        |     |     |             |
|----------|--------|-----|-----|-------------|
| OBSOLETE | ⚠ PA9T | W/  | W/O | 2-1734084-2 |
| OBSOLETE | ⚠ PBT  | W/  | W/O | 2-1734084-1 |
| OBSOLETE | ⚠ PA9T | W/O | W/  | 1-1734084-2 |
| OBSOLETE | ⚠ PBT  | W/O | W/  | 1-1734084-1 |
| OBSOLETE | ⚠ PA9T | W/O | W/O | 0-1734084-2 |
| OBSOLETE | ⚠ PBT  | W/O | W/O | 0-1734084-1 |

B

B

|              |                |                |             |
|--------------|----------------|----------------|-------------|
| HSG.MATERIAL | GROUND PANEL B | GROUND PANEL A | PART NUMBER |
|--------------|----------------|----------------|-------------|

A

A

RECOMMENDED P.C.B. LAYOUT (THICKNESS=1.6mm)  
 (TOP VIEW) (TOLERANCE:±0.05mm)

THIS DRAWING IS A CONTROLLED DOCUMENT.

DWN O. HU 07JUL2005  
 CHK S. JOU 07JUL2005  
 APVD W.J. KE 07JUL2005

PRODUCT SPEC  
 108-57549

APPLICATION SPEC

WEIGHT 6.16 GRAMS

CUSTOMER DRAWING

| DIMENSIONS: | TOLERANCES UNLESS OTHERWISE SPECIFIED: |
|-------------|--|
| mm          |  |
| 0 PLC       | ± -                                    |
| 1 PLC       | ± 0.35                                 |
| 2 PLC       | ± 0.25                                 |
| 3 PLC       | ± 0.15                                 |
| 4 PLC       | ± -                                    |
| ANGLES      | ± 3'                                   |

MATERIAL SEE NOTE  
 FINISH SEE NOTE

NAME  
 RCPT, STACKED, USB, R/A, A TYPE

| SIZE | CAGE CODE | DRAWING NO | RESTRICTED TO |
|------|-----------|------------|---------------|
| A3   | 00779     | C=1734084  | -             |

SCALE - SHEET 1 of 2 REV B4

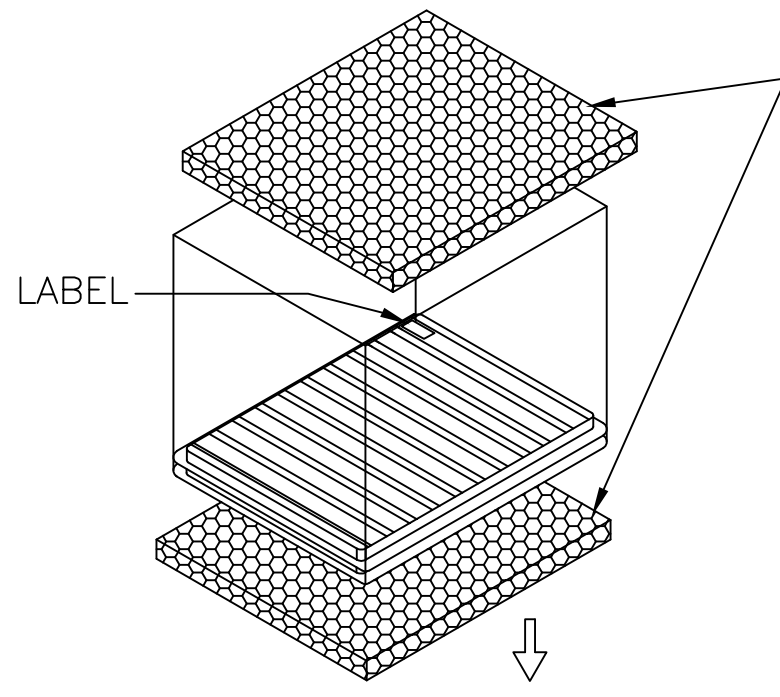
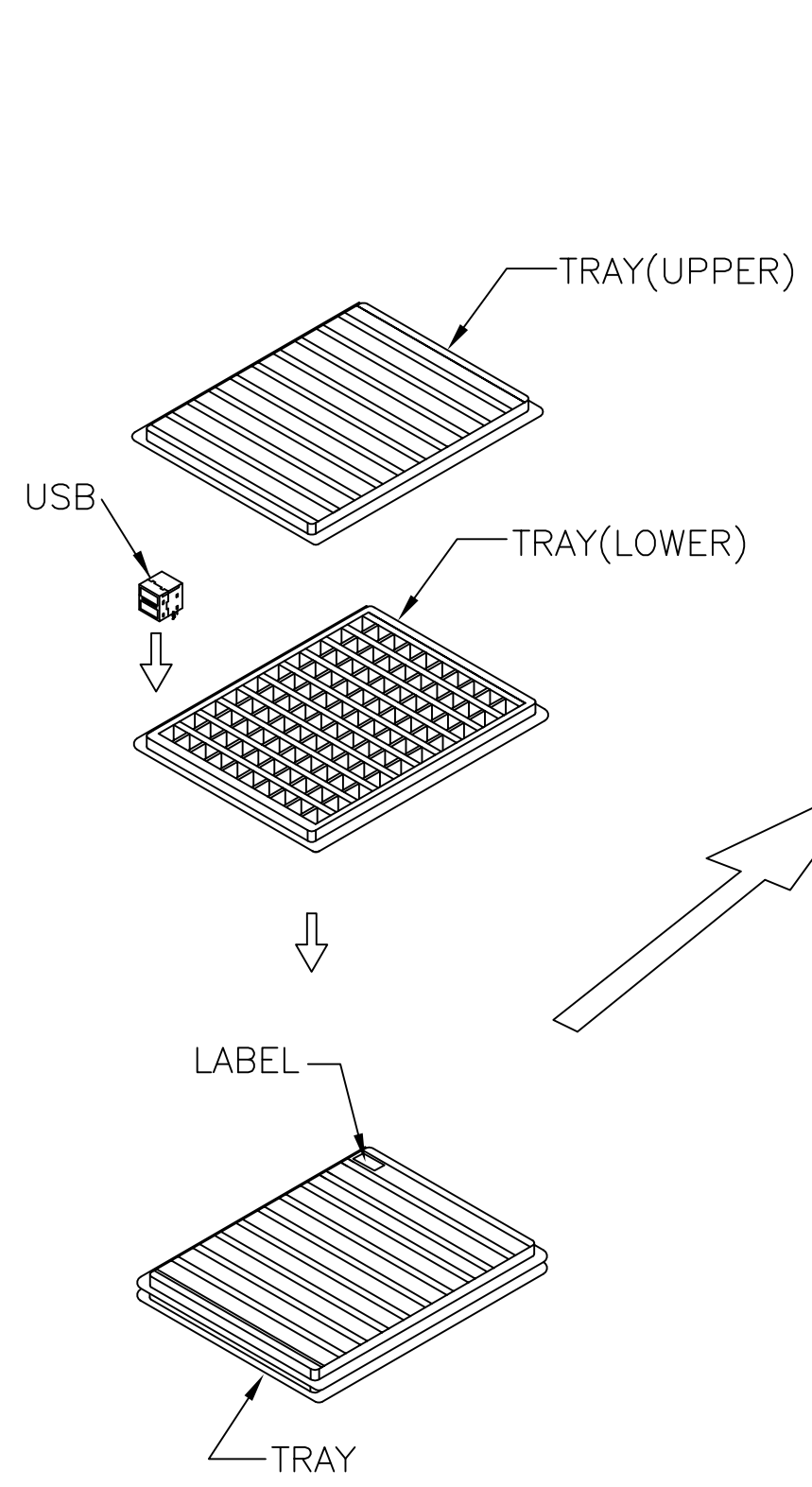
1470-19 (1/08)

THIS DRAWING IS UNPUBLISHED. RELEASED FOR PUBLICATION  
 © COPYRIGHT 2011 BY TYCO ELECTRONICS CORPORATION. ALL RIGHTS RESERVED.

| LOC | DIST | REVISIONS    |      |     |      |  |
|-----|------|--------------|------|-----|------|--|
| P   | LTR  | DESCRIPTION  | DATE | DWN | APVD |  |
|     |      | SEE SHEET 1. |      |     |      |  |

D  
C  
B  
A

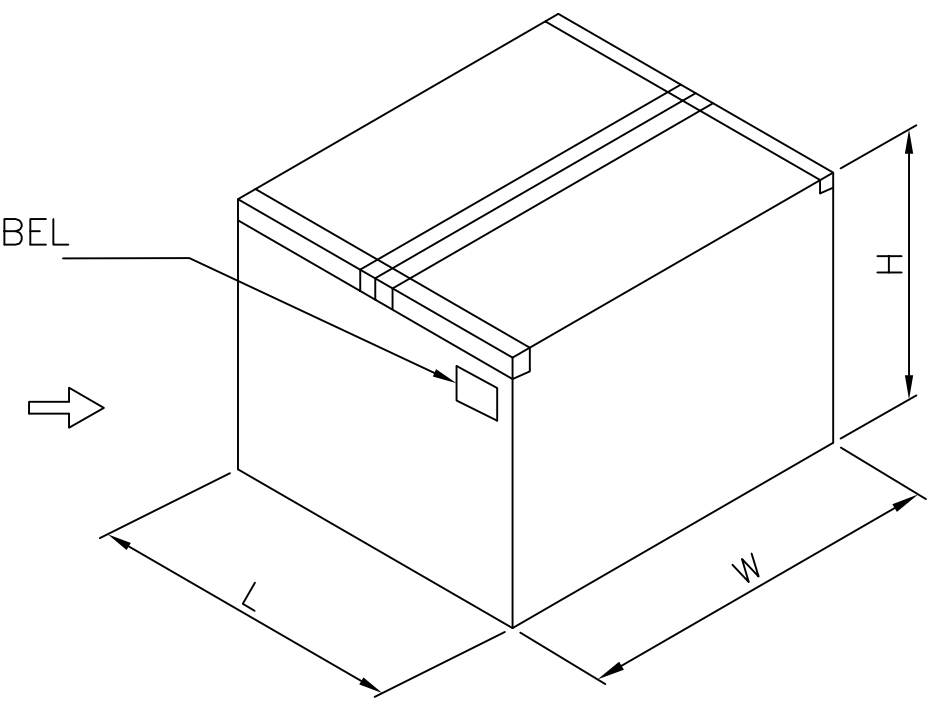
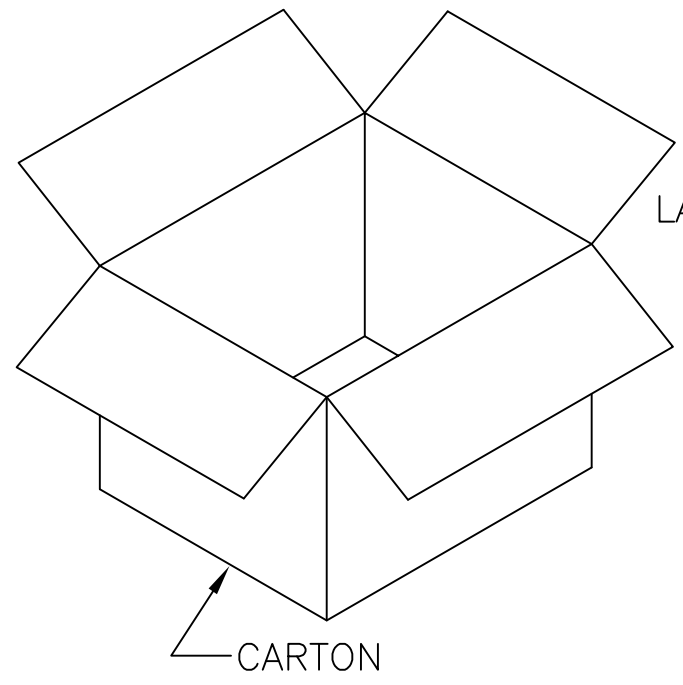
D  
C  
B  
A



POLYLONE

NOTES:

- MATERIAL:  
 TRAY: PE.  
 POLYLONE: POLYLONE  
 SHIPPING CARTON: CORRUGATED FIBER.
- DIMENSION :  
 TRAY : L=307mm, W=235mm, H=24mm  
 SHIPPING CARTON : L=325mm, W=256mm, H=285mm  
 POLYLONE : L=305mm, W=236mm, H=11.5mm



|              |            |          |             |          |
|--------------|------------|----------|-------------|----------|
| 7.30 Kg      | 6.16 Kg    | 100      | 10          | 1000     |
| GROSS WEIGHT | NET WEIGHT | PCS/TRAY | TRAY/CARTON | QUANTITY |

|  |  |                  |  |                                 |  |
|--|--|------------------|--|---------------------------------|--|
| THIS DRAWING IS A CONTROLLED DOCUMENT. |  | DWN              |  | TE Connectivity                 |  |
| DIMENSIONS: mm                         |  | CHK              |  |                                 |  |
| TOLERANCES UNLESS OTHERWISE SPECIFIED: |  | APVD             |  | NAME                            |  |
| 0 PLC ± -                              |  | PRODUCT SPEC     |  | RCPT, STACKED, USB, R/A, A TYPE |  |
| 1 PLC ± -                              |  | APPLICATION SPEC |  | SIZE                            |  |
| 2 PLC ± -                              |  | WEIGHT           |  | CAGE CODE                       |  |
| 3 PLC ± -                              |  | CUSTOMER DRAWING |  | DRAWING NO                      |  |
| 4 PLC ± -                              |  | SCALE            |  | RESTRICTED TO                   |  |
| ANGLES ± -                             |  | SHEET            |  | REV                             |  |
| MATERIAL                               |  | FINISH           |  | A3 00779 C=1734084              |  |
|  |  | 2 of 2           |  | B4                              |  |