

Han Guiding Dummy module, female

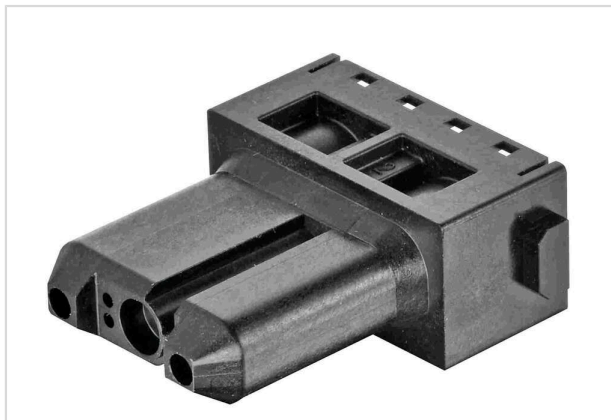


Image is for illustration purposes only. Please refer to product description.

| | |
|--------------------|---|
| Part number | 09 14 003 3150 |
| Specification | Han Guiding Dummy module, female |
| HARTING eCatalogue | https://b2b.harting.com/09140033150 |

Identification

| | |
|---------------------------|---------------------|
| Category | Modules |
| Series | Han-Modular® |
| Type of module | Han® Guiding module |
| Size of the module | Single module |
| Description of the module | Dummy module |

Version

| | |
|--------|--------|
| Gender | Female |
|--------|--------|

Technical characteristics

| | |
|----------------------|-----------------|
| Limiting temperature | -40 ... +125 °C |
| Mating cycles | ≥500 |
| Lock-in range | ±4 mm |

Material properties

| | |
|---|----------------------|
| Material (insert) | Polycarbonate (PC) |
| Colour (insert) | RAL 9005 (jet black) |
| Material flammability class acc. to UL 94 | V-0 |
| RoHS | compliant |
| ELV status | compliant |
| China RoHS | e |
| REACH Annex XVII substances | Not contained |
| REACH ANNEX XIV substances | Not contained |



Pushing Performance
Since 1945

Material properties

| | |
|--------------------------------------|------------------------------|
| REACH SVHC substances | Not contained |
| California Proposition 65 substances | Not contained |
| Fire protection on railway vehicles | EN 45545-2 (2020-08) |
| Requirement set with Hazard Levels | R22 (HL 1-3) R23 (HL 1-3) |

Specifications and approvals

| | |
|----------------|--------------------------|
| Specifications | IEC 60664-1 IEC 61984 |
|----------------|--------------------------|

Commercial data

| | |
|--------------------------------|----------------------------------|
| Packaging size | 2 |
| Net weight | 1 g |
| Country of origin | China |
| European customs tariff number | 85389099 |
| GTIN | 5713140184688 |
| eCl@ss | 27440392 Connector (accessories) |