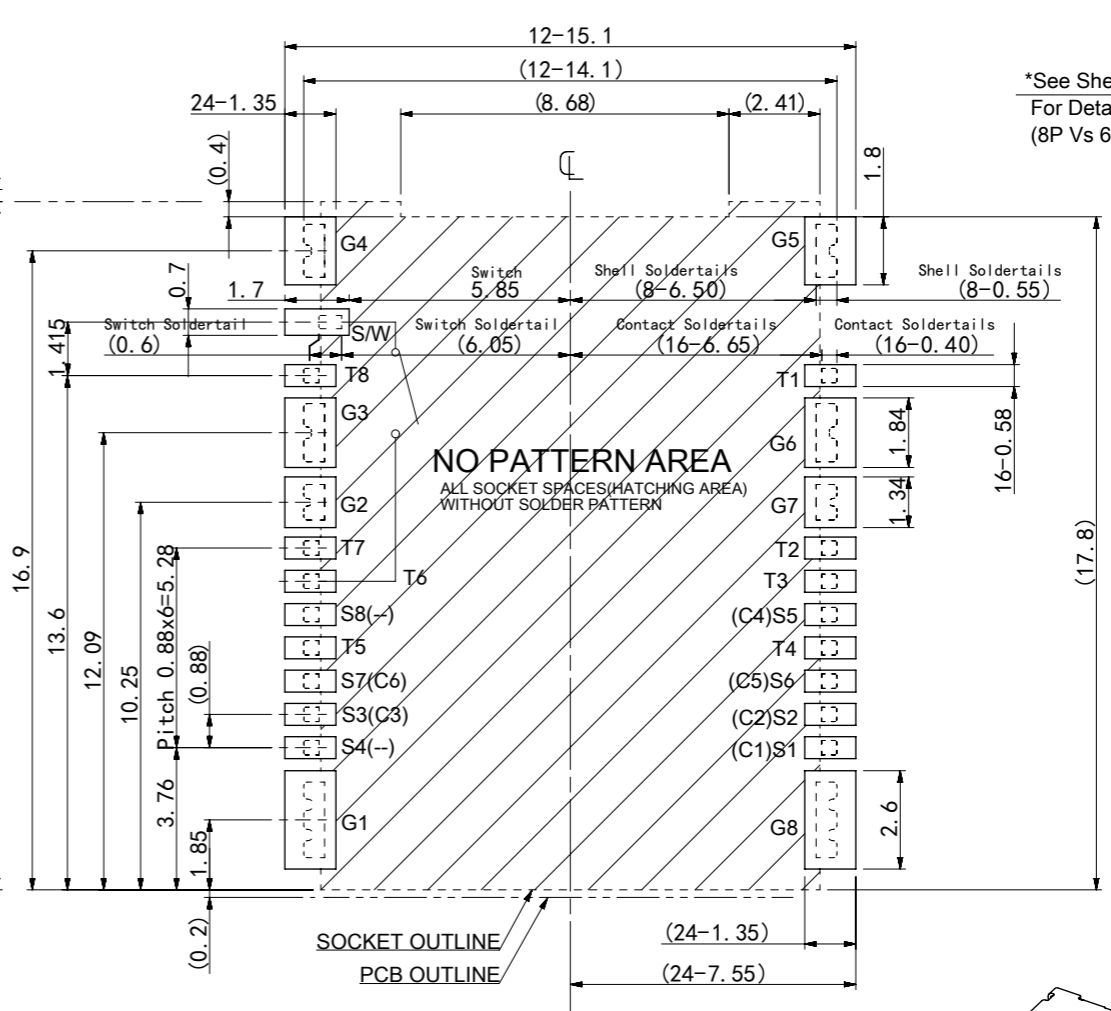
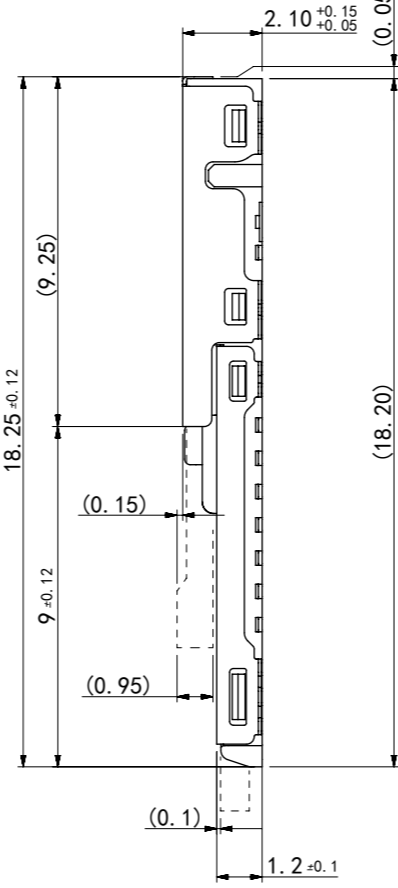


-DATE CODE-
example: MZB75AT15
M-> Molex initial
2-> Year(2012)
B-> Month(November) 1, ...,9, A, B, C
15-> Date(15th)
A-> Site initial(Ansan)
1-> Manufacture line number

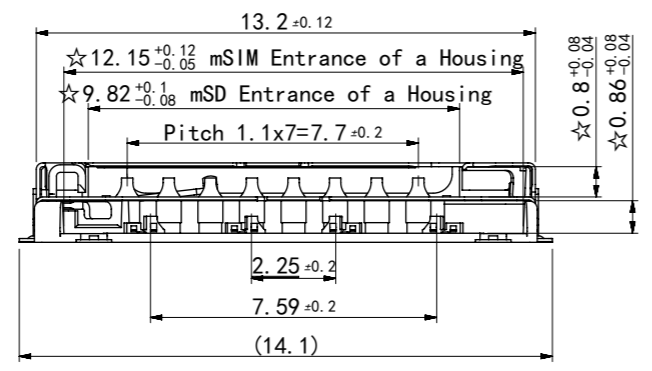


[microSIM CARD PIN-MAP]

8P	6P	DESCRIPTION
S1	C1	Vcc(Supply V)
S2	C2	RST(Reset)
S3	C3	CLK(Clock)
S4	---	Reserved
S5	C4	GND
S6	C5	Vpp(Program V)
S7	C6	I/O
S8	---	Reserved
G1~G8		GND

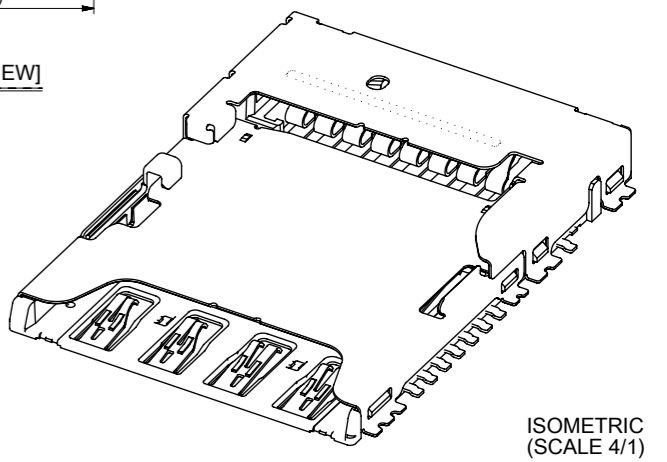
[microSD CARD PIN-MAP]

PIN NO.	DESCRIPTION
T1	DAT2
T2	CD/DAT3*
T3	CMD
T4	VDD
T5	CLK
T6	VSS(GND)
T7	DAT0
T8	DAT1
S/W	CARD DETECTOR



NOTES

- MATERIALS: SEE TABLE
- FINISHES: SEE TABLE
- MATES WITH
-UPPER: microSD Card
-LOWER: microSIM(UICC) Card
- PRODUCT SPECIFICATIONS: PS-104642-001
- PACKING SPECIFICATIONS: SPK-104642-002
- COPLANARITY OF SOLDER TAILS:
0.08mm MAX. BEFORE & AFTER 250°C REFLOW 2TIMES
- REFERENCE CARD DIMENSIONS ARE WITH STANDARD DIMENSION CARD
- CUSTOMER'S CTF DIMENSION(☆) IS EQUAL TO MOLEX MAJOR QUALITY SYMBOL (▼)



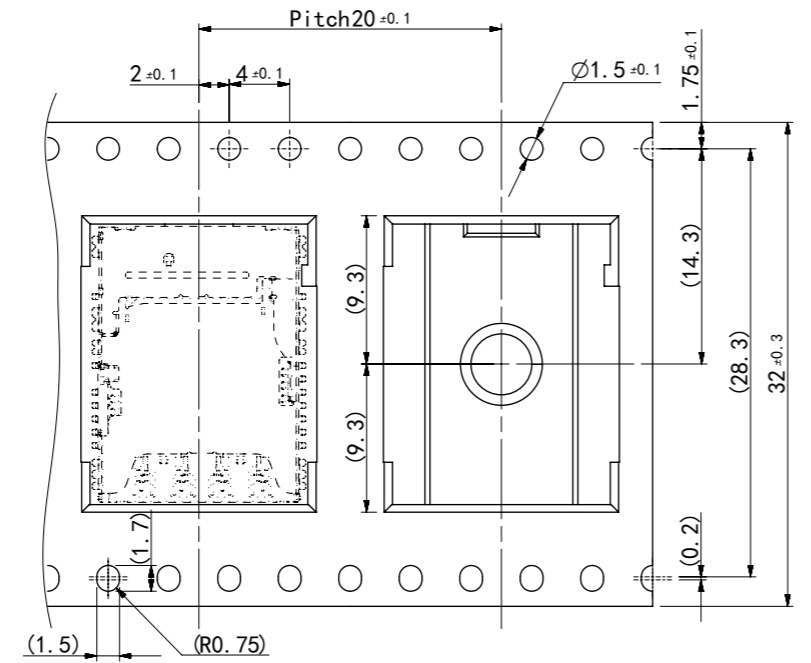
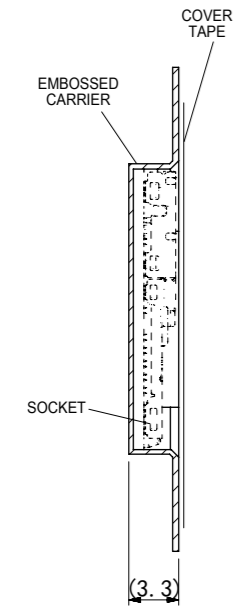
[Circuit diagram for Detection Switch of microSD card]

Card insertion condition	Card detect-switch	Circuit
Without Card	Open	
Card insertion	Close	

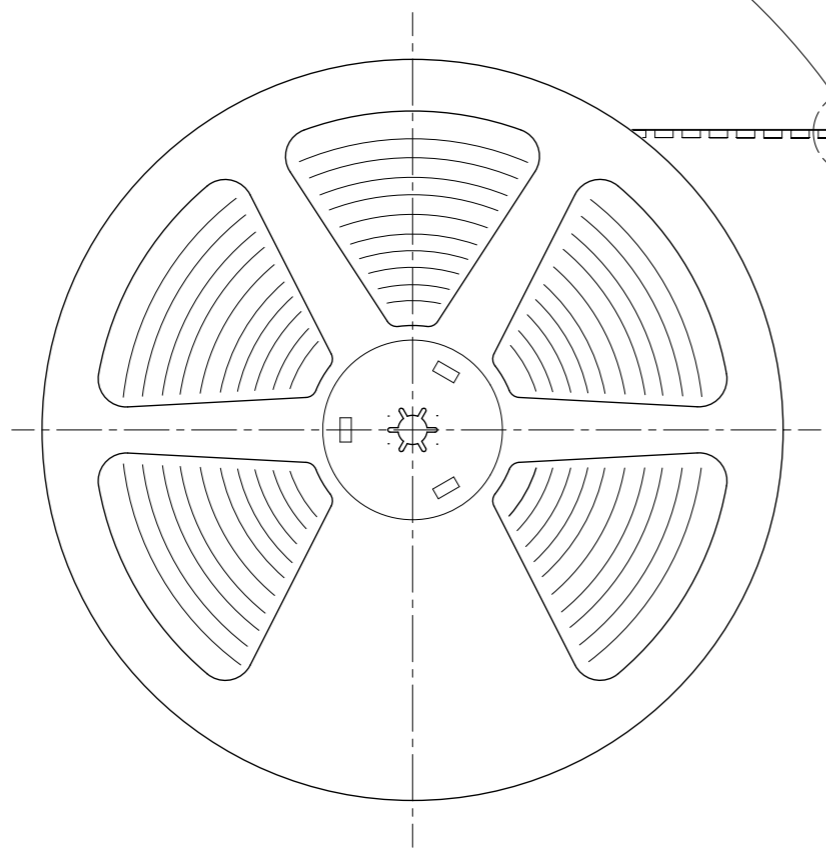
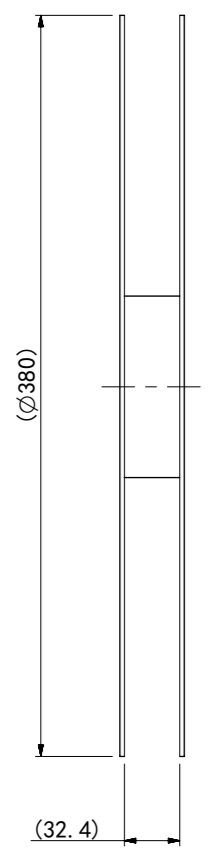
NO.	PARTS NAME	MATERIALS	FINISHES
1	CONTACT TERMINAL (16P)	COPPER ALLOY	CONTACT mSIM: GOLD 0.05µm MIN. OVER Pd-Ni 0.3µm MIN. CONTACT mSD: GOLD 0.05µm MIN. Pd-Ni 0.2µm MIN. SWITCH: GOLD 0.1µm MIN. (Pd-Ni IS PALLADIUM NICKEL) SOLDERS: GOLD 0.05µm MIN. BASE: NICKEL 1.27 MIN.
2	SWITCH TERMINAL	PHOSPHOR BRONZE	
3	microSD SHELL	STAINLESS STEEL	BRIGHT NICKEL 1.27µm MIN.
4	microSIM SHELL	STAINLESS STEEL	BRIGHT NICKEL 1.27µm MIN.
5	HOUSING	LIQUID CRYSTAL POLYMER	NATURAL(IVORY) COLOR, UL94V-0
6	EJECT-PULLER	STAINLESS STEEL	NONE

RELEASE STATUS	P1	RELEASE DATE	01.09.2016	23:51:41
----------------	----	--------------	------------	----------

QUALITY SYMBOLS FA = 0 FE = 0 FP = 0 ▼ = 4 C = 0 X = 0 ■ = 0 ▼ = 0	EC NO: 111721 DRWN: ICYANG CHK'D: SHCHU APPR: YSKIM02	2016/09/19 2016/12/15 2016/12/22	REDRAWN EC NO: 111721 DRWN: ICYANG CHK'D: SHCHU APPR: YSKIM02	GENERAL TOLERANCES (UNLESS SPECIFIED) ANGULAR TOL ± 1.0° 4 PLACES ± 3 PLACES ± 0.12 2 PLACES ± 0.12 1 PLACE ± 0.15 0 PLACES ± 0.15	DIMENSION UNITS MM	SCALE 5:1	DRWN BY YHJUNG02	DATE 2016/04/14	<p>COMBO 2.10H PULLER TYPE MICROSD/MICROSIM 8P/8P WITH S/W</p> <p>PRODUCT CUSTOMER DRAWING</p>			
					CHECK'D BY SHCHU	DATE 2016/08/29						
					APPR BY YSKIM02	DATE 2016/09/01						
					DRAFT WHERE APPLICABLE MUST REMAIN WITHIN DIMENSIONS	DRAWING SIZE A3	THIRD ANGLE PROJECTION					
									SERIES 104642	MATERIAL NUMBER SEE TABLE	CUSTOMER GENERAL	
									DOCUMENT NUMBER 1046421610	DOC TYPE PSD	DOC PART 000	SHEET NUMBER 1 OF 3



TOP VIEW OF EMBOSSSED CARRIER

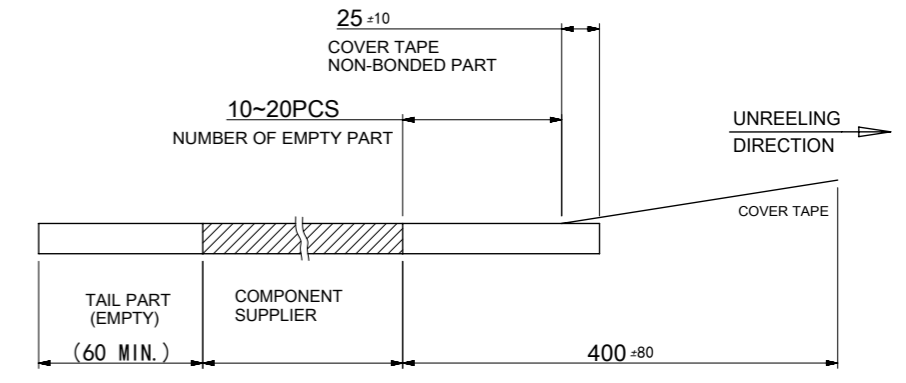


UNREELING OF PRODUCTS DIRECTION

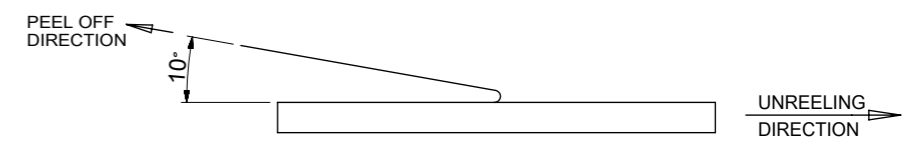
NOTES

1. QUANTITY OF PRODUCTS : 1,500 PCS / 1 REEL

2. LEAD LENGTH



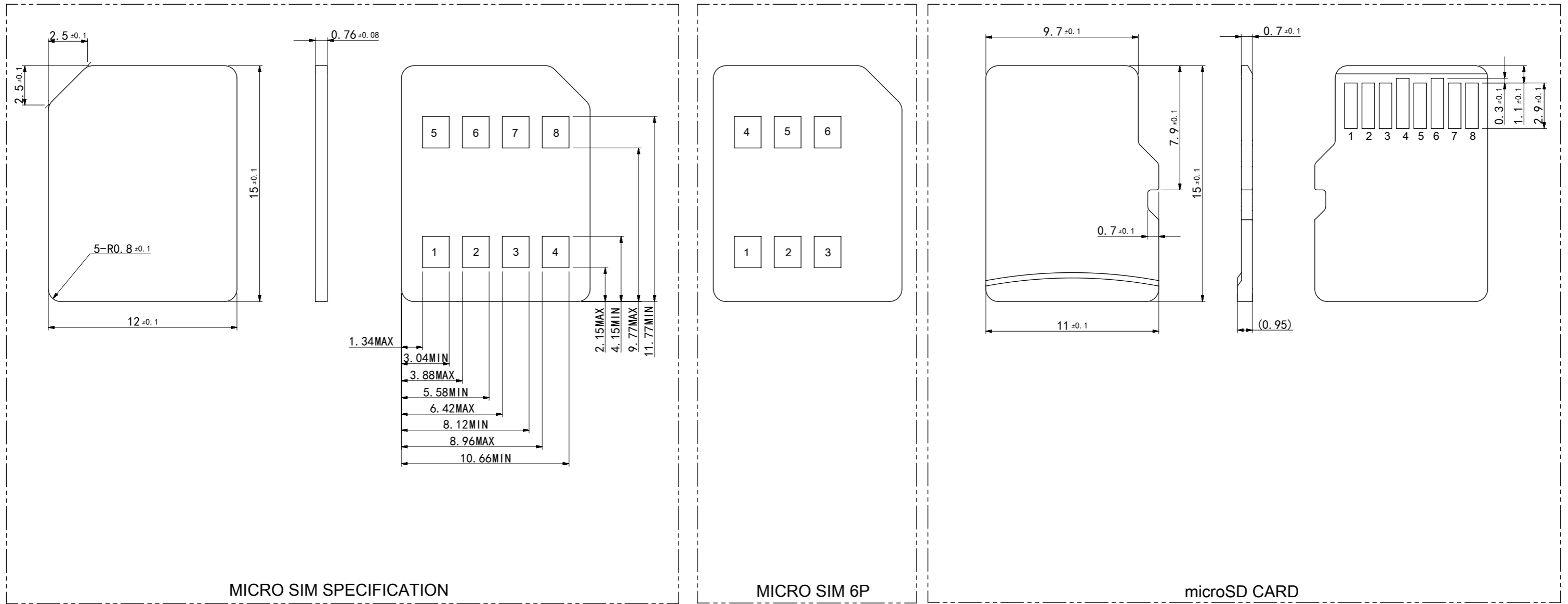
3. PEELING OFF FORCE OF COVER TAPE : 0.1N~0.59N(10.2~60gf)
(PEELING DIRECTION AS BELOW)
- PEELING OFF SPEED : 300mm/Min.(Ref.)



4. MATERIALS OF EMBOSSSED CARRIER AND COVER TAPE :
PET(POLYETHYLEN TEREPHTHALATE)

THIS DRAWING CONTAINS INFORMATION THAT IS PROPRIETARY TO MOLEX ELECTRONIC TECHNOLOGIES, LLC AND SHOULD NOT BE USED WITHOUT WRITTEN PERMISSION													
QUALITY SYMBOLS	REDRAWN	EC NO: 111721	DRWN: ICYANG	CHK'D: SHCHU	APP'R: YSKIM02	GENERAL TOLERANCES (UNLESS SPECIFIED)		DIMENSION UNITS	SCALE				
						4 PLACES ±	ANGULAR TOL ± 1.0 °	MM	2:1				
▽A = 0		2016/09/19		2016/12/15		3 PLACES ± 0.12		DRWN BY	DATE	COMBO 2.10H PULLER TYPE MICROSD/MICROSIM 8P/8P WITH S/W			
▽E = 0						2 PLACES ± 0.12		YHJUNG02	2016/04/14				
▽F = 0						1 PLACE ± 0.15		CHK'D BY	DATE	PRODUCT CUSTOMER DRAWING			
▽ = 0						0 PLACES ± 0.15		SHCHU	2016/08/29				
▽C = 0						DRAFT WHERE APPLICABLE MUST REMAIN WITHIN DIMENSIONS		APP'R BY	DATE	SERIES	MATERIAL NUMBER	CUSTOMER	
▽X = 0								YSKIM02	2016/09/01	104642	SEE SHEET 1	GENERAL	
▽ = 0								DRAWING SIZE	THIRD ANGLE PROJECTION	DOCUMENT NUMBER	DOC TYPE	DOC PART	SHEET NUMBER
								A3		1046421610	PSD	000	2 OF 3

REFERENCE DRAWING



MICRO SIM SPECIFICATION

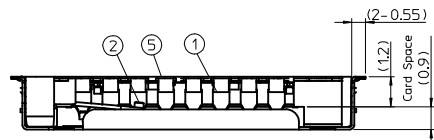
MICRO SIM 6P

microSD CARD

[Reference Standards]

- microSD CArd Addendum Versopm 3.0 Draft 0.8
- ETSI TS 102 221 V9.1.0, Smart Cards, UICC-Terminal interface, Physical and logical characteristics

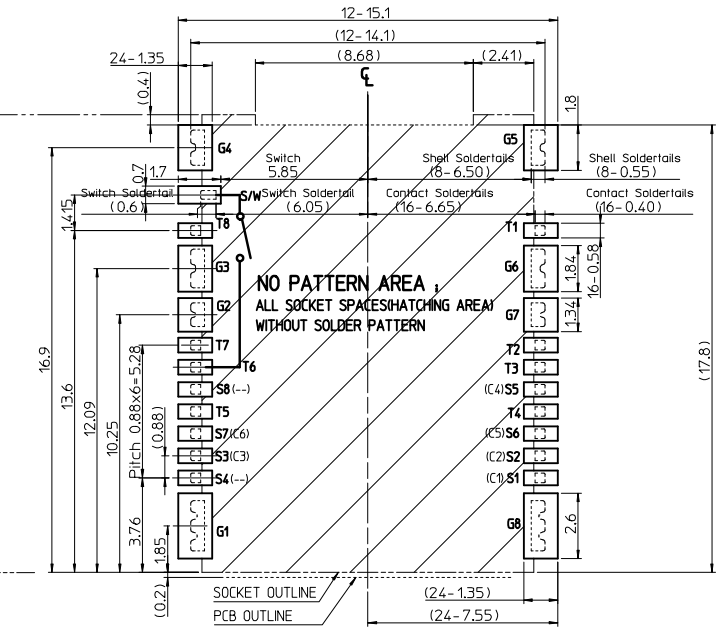
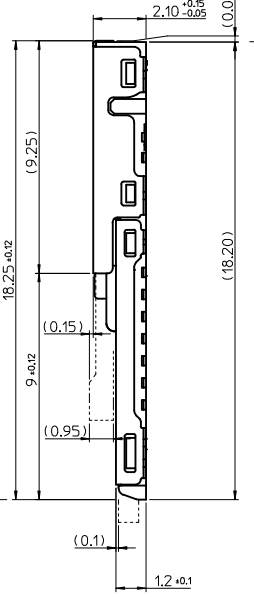
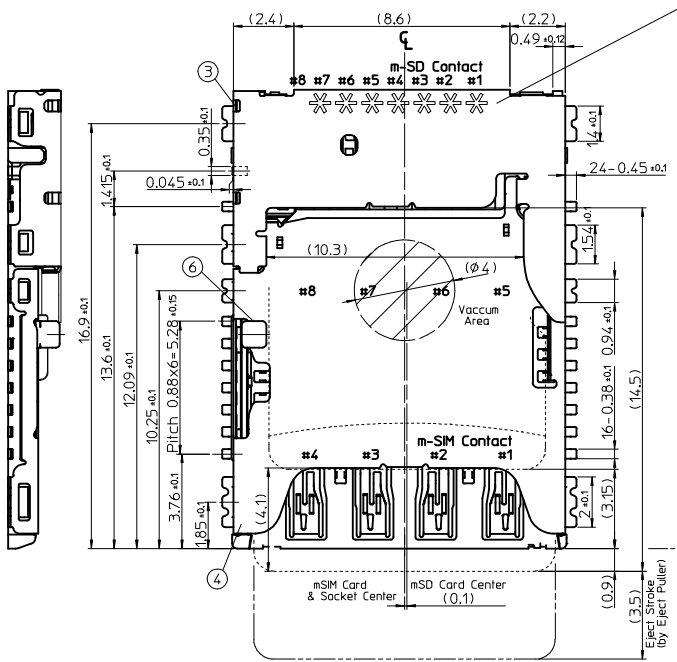
QUALITY SYMBOLS FA = 0 FE = 0 FP = 0 ▼ = 0 C = 0 X = 0 ■ = 0 ▽ = 0	THIS DRAWING CONTAINS INFORMATION THAT IS PROPRIETARY TO MOLEX ELECTRONIC TECHNOLOGIES, LLC AND SHOULD NOT BE USED WITHOUT WRITTEN PERMISSION															
	REDRAWN EC NO: 111721 DRWN: ICYANG CHK'D: SHCHU APPR: YSKIM02	2016/09/19		2016/12/15		2016/12/22		GENERAL TOLERANCES (UNLESS SPECIFIED)		DIMENSION UNITS	SCALE					
		ANGULAR TOL ± 1.0 °						MM	4:1	<p>COMBO 2.10H PULLER TYPE MICROSD/MICROSIM 8P/8P WITH S/W</p> <p>PRODUCT CUSTOMER DRAWING</p>						
		4 PLACES ±		3 PLACES ± 0.12		2 PLACES ± 0.12		1 PLACE ± 0.15					0 PLACES ± 0.15			
		DRWN BY		DATE		CHK'D BY		DATE					APPR BY		DATE	
		YHJUNG02		2016/04/14		SHCHU		2016/08/29					YSKIM02		2016/09/01	
	DRAFT WHERE APPLICABLE		MUST REMAIN		WITHIN DIMENSIONS		DRAWING SIZE	THIRD ANGLE PROJECTION	SERIES: 104642 MATERIAL NUMBER: SEE SHEET 1 CUSTOMER: GENERAL							
	A4		REV		A3				DOCUMENT NUMBER: 1046421610 DOC TYPE: PSD DOC PART: 000 SHEET NUMBER: 3 OF 3							



-DATE CODE-
 example: 12B15A1
 M -> Molex initial
 2 -> Year(2012)
 B -> Month(November) 1, ..., A, B, C
 15 -> Date(15th)
 A -> Site initial(Ansan)
 1 -> Manufacture line number

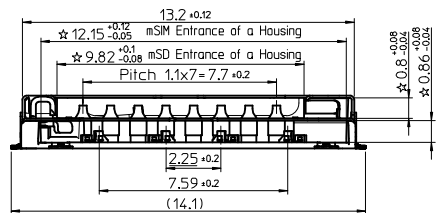
[microSIM CARD PIN-MAP]
 * See Sheet3 For Detail (8P Vs 6P)

8P	6P	DESCRIPTION
S1	C1	Vcc(Supply V)
S2	C2	RST(Reset)
S3	C3	CLK(Clock)
S4	--	Reserved
S5	C4	GND
S6	C5	Vpp(Program V)
S7	C6	I/O
S8	--	Reserved
G1-G8	GND	



[microSD CARD PIN-MAP]

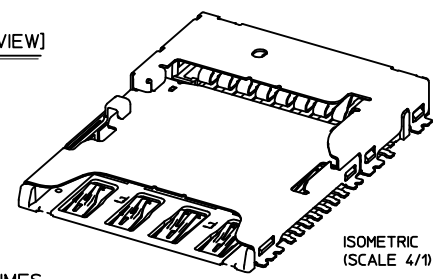
PIN NO.	DESCRIPTION
T1	DAT2
T2	CD/DAT3 ²
T3	CMD
T4	Vcc
T5	CLK
T6	Vss (GND)
T7	DAT0
T8	DAT1
S/W	CARD DETECTOR



NOTES

1. MATERIALS: SEE TABLE
2. FINISHES: SEE TABLE
3. MATES WITH
 - UPPER: microSD Card
 - LOWER: Micro SIM(UICC) Card
4. PRODUCT SPECIFICATIONS: PS-104642-001
5. PACKING SPECIFICATIONS: SPK-104642-002
6. COPLANARITY OF SOLDER TAILS: 0.08mm MAX. BEFORE & AFTER 250°C REFLOW 2TIMES
7. REFERENCE CARD DIMENSIONS ARE WITH STANDARD DIMENSION CARD
8. CUSTOMER'S CTF DIMENSION(*) IS EQUAL TO MOLEX MAJOR QUALITY SYMBOL(▼)

RECOMMENDED PCB LAYOUT [FRONT VIEW]
 (TOLERANCE : ±0.05)



[Circuit diagram for Detection Switch of microSD card]

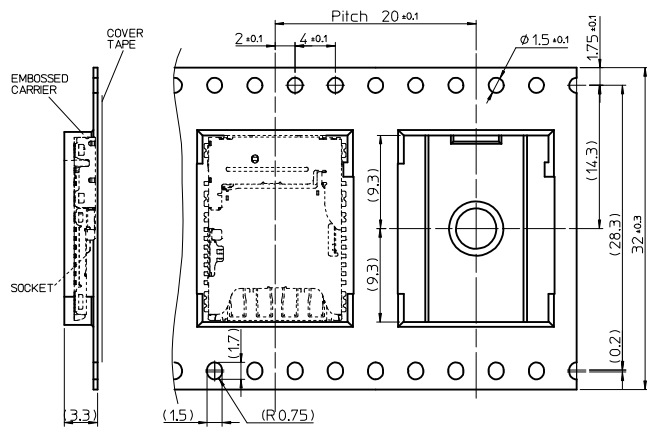
Card insertion condition	Card detect switch	Circuit
Without Card	Open	
Card insertion	Close	

NO.	PARTS NAME	MATERIALS	FINISHES
1	CONTACT TERMINAL(16P)	COPPER ALLOY	CONTACT mSIM : GOLD 0.054μm MIN. OVER Pd-Ni 0.34μm MIN. CONTACT mSD : GOLD 0.054μm MIN Pd-Ni 0.24μm MIN. SWITCH : GOLD 0.14μm MIN. (Pd-Ni IS PALLADIUM NICKEL) SOLDERS : GOLD 0.054μm MIN. BASE : NICKEL 1.274μm MIN.
2	SWITCH TERMINAL	PHOSPHOR BRONZE	
3	microSD SHELL	STAINLESS STEEL	BRIGHT NICKEL 1.274μm MIN.
4	microSIM SHELL	STAINLESS STEEL	BRIGHT NICKEL 1.274μm MIN.
5	HOUSING	LIQUID CRYSTAL POLYMER	NATURAL(IVORY) COLOR, UL94V-0
6	EJECT PULLER	STAINLESS STEEL	NONE

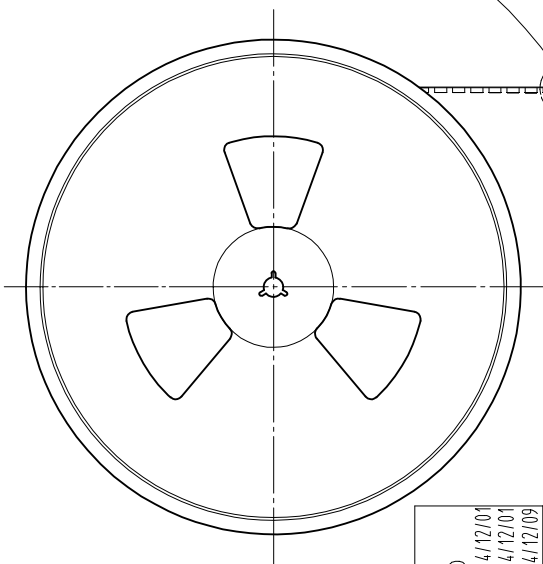
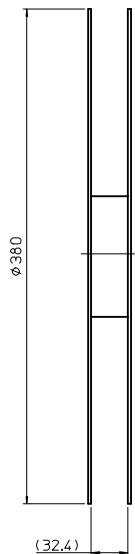
REVISED QUANTITY	2014/12/01	2014/12/01	2014/12/09
EC NO: KOR2015-0070	DRW:NEGI/IM	CHK:KDS/SHU	APPR:YSK/IMO2
QUALITY SYMBOLS	▼=4	▽=0	
DESCRIPTION			
REV	A1		

GENERAL TOLERANCES (UNLESS SPECIFIED)	DIMENSION STYLE	SCALE	DESIGN UNITS	THIRD ANGLE PROJECTION
mm INCH	MM ONLY	5/1	METRIC	THIRD ANGLE PROJECTION
4 PLACES ± --- ± ---	DRAWN BY DATE	TITLE		
3 PLACES ± 0.12 ± ---	EGK/IM 2014/04/29	COMBO 2.10H PULLER TYPE MICROSD/MICROSIM 8P/8P WITH S/W		
2 PLACES ± 0.12 ± ---	CHECKED BY DATE	molex		
1 PLACE ± 0.15 ± ---	2014/04/29	SD-104642-001		
0 PLACE ± 0.15 ± ---	APPROVED BY DATE	DOCUMENT NO.		
	YSK/IMO2 2014/11/25	SHEET NO.		
	MATERIAL NO.	1 OF 3		
ANGULAR ± 1 °	SEE TABLE			
DRAFT WHERE APPLICABLE MUST REMAIN WITHIN DIMENSIONS	SIZE A3	THIS DRAWING CONTAINS INFORMATION THAT IS PROPRIETARY TO MOLEX INCORPORATED AND SHOULD NOT BE USED WITHOUT WRITTEN PERMISSION		

10 9 8 7 6 5 4 3 2 1



TOP VIEW OF EMBOSSED CARRIER

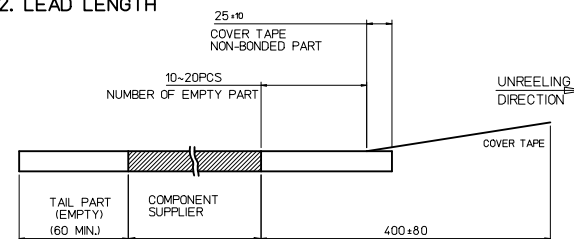


UNREELING OF PRODUCTS DIRECTION

NOTES

1. QUANTITY OF PRODUCTS : 1,500 PCS / 1 REEL

2. LEAD LENGTH



3. PEELING OFF FORCE OF COVER TAPE : 0.1N~0.59N(10.2~60gf)
(PEELING DIRECTION AS BELOW)
- PEELING OFF SPEED : 300mm/Min.(Ref.)

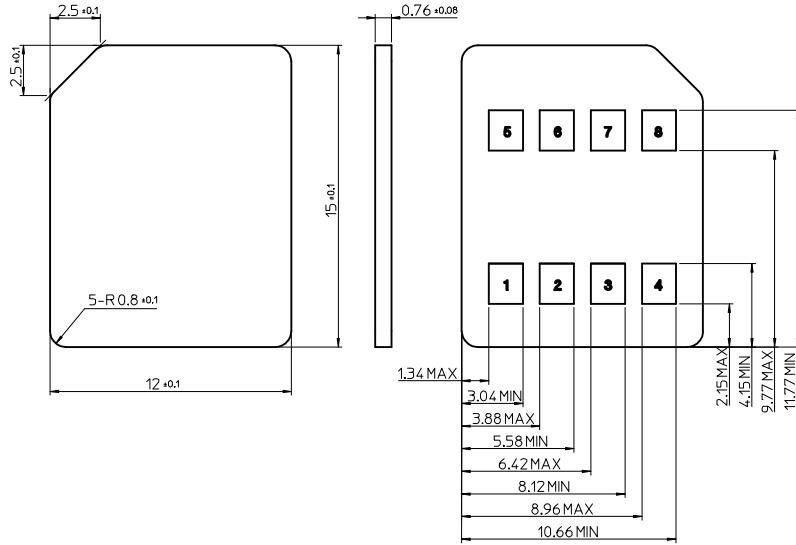


4. MATERIALS OF EMBOSSED CARRIER AND COVER TAPE :
PET(POLYETHYLEN TEREPHTHALATE)

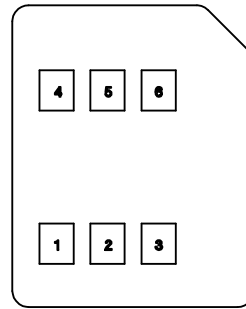
SEE SHEET1 EC NO: KOR2015-0070 DRW:EGKIM 2014/12/01 CHKD:SHCHU 2014/12/01 APPR:YSKIM02 2014/12/09	QUALITY SYMBOLS	GENERAL TOLERANCES (UNLESS SPECIFIED)	DIMENSION STYLE	SCALE	DESIGN UNITS	THIRD ANGLE PROJECTION
	▽=0	mm INCH	MM ONLY	2/1	METRIC	
	▽=0	4 PLACES ± --- ± ---	DRAWN BY DATE	TITLE COMBO 2.10H PULLER TYPE MICROSD/MICROSIM 8P/8P WITH S/W molex DOCUMENT NO. SD-104642-001 SHEET NO. 2 OF 3		
		3 PLACES ± 0.12 ± ---	CHECKED BY DATE			
		2 PLACES ± 0.12 ± ---	APPROVED BY DATE			
	1 PLACE ± 0.15 ± ---	YSKIM02 2014/11/25				
	0 PLACE ± 0.15 ± ---	MATERIAL NO.				
A1	DESCRIPTION	ANGULAR ± 1 °	SIZE	THIS DRAWING CONTAINS INFORMATION THAT IS PROPRIETARY TO MOLEX INCORPORATED AND SHOULD NOT BE USED WITHOUT WRITTEN PERMISSION		
		DRAFT WHERE APPLICABLE MUST REMAIN WITHIN DIMENSIONS	A3			

9 8 7 6 5 4 3 2 1

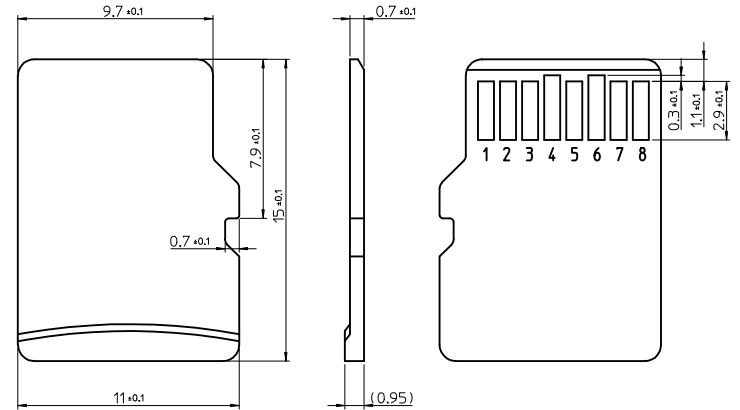
REFERENCE DRAWING



MICRO SIM SPECIFICATION



MICRO SIM 6P



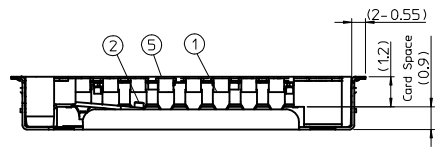
microSD CARD

[Reference Standards]

- microSD Card Addendum Version 3.0 Draft 0.8

- ETSI TS 102 221 V9.1.0, Smart Cards, UICC-Terminal interface, Physical and logical characteristics

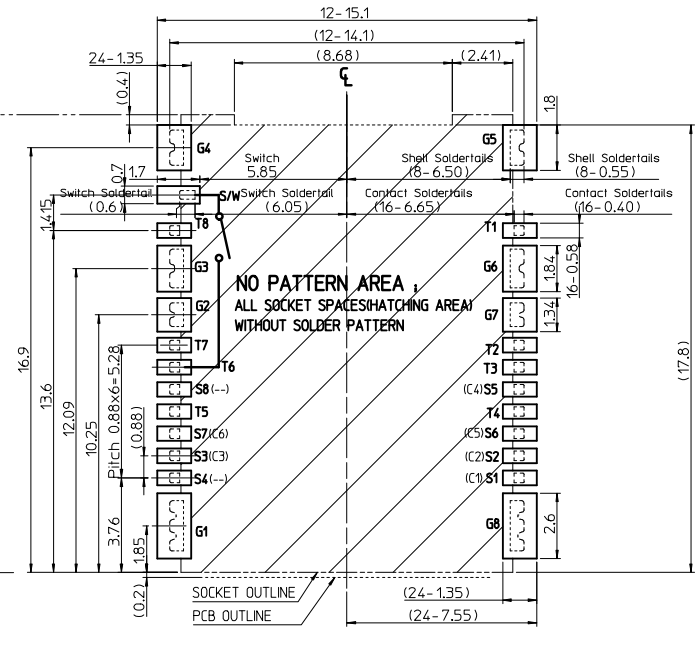
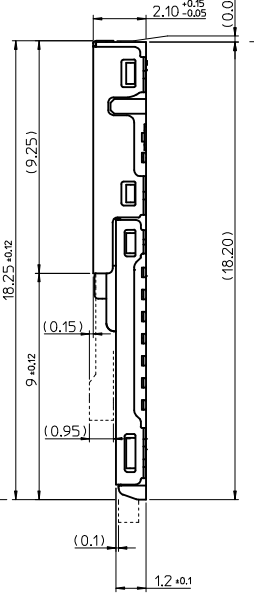
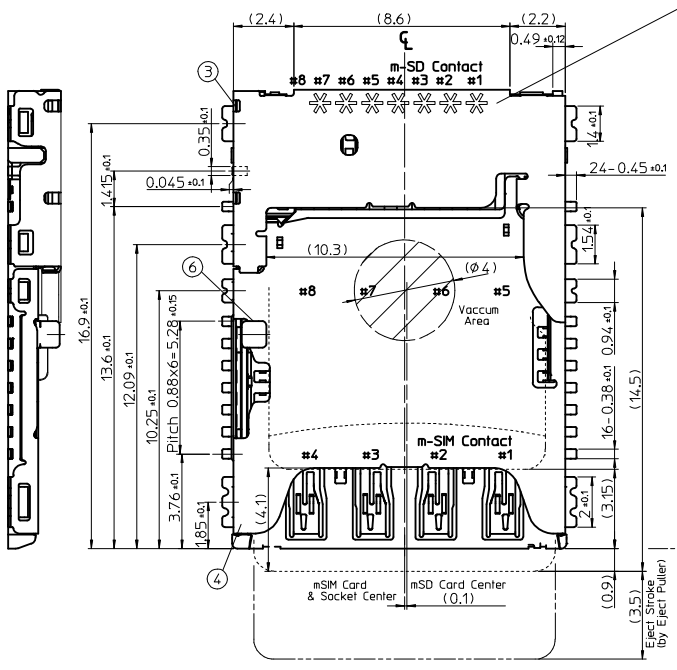
SEE SHEET1 IEC NO: KOR2015-0070 DRW:EGKIM CHKD:SHCHU APPR:YSKIM02	DESCRIPTION REV	QUALITY SYMBOLS ▽=0 ▽=0	GENERAL TOLERANCES (UNLESS SPECIFIED)		DIMENSION STYLE MM ONLY	SCALE 4/1	DESIGN UNITS METRIC	THIRD ANGLE PROJECTION	
				mm	INCH	DRAWN BY EGKIM	DATE 2014/04/29	TITLE COMBO 2.10H PULLER TYPE MICROSD/MICROSIM 8P/8P WITH S/W molex	
			4 PLACES	± ---	± ---	CHECKED BY	DATE 2014/04/29		
			3 PLACES	± 0.12	± ---	APPROVED BY	DATE 2014/11/25		
2 PLACES	± 0.12	± ---	MATERIAL NO.	DOCUMENT NO.					
			1 PLACE	± 0.15	± ---	SEE SHEET1		SD-104642-001	SHEET NO. 3 OF 3
			0 PLACE	± 0.15	± ---	THIS DRAWING CONTAINS INFORMATION THAT IS PROPRIETARY TO MOLEX INCORPORATED AND SHOULD NOT BE USED WITHOUT WRITTEN PERMISSION			
			ANGULAR ± 1 °		DRAFT WHERE APPLICABLE MUST REMAIN WITHIN DIMENSIONS				



-DATE CODE-
 example: 12B15A1
 M -> Molex initial
 2 -> Year(2012)
 B -> Month(November) 1, ..., 9, A, B, C
 15 -> Date(15th)
 A -> Site initial(Ansan)
 1 -> Manufacture line number

[microSIM CARD PIN-MAP]
 * See Sheet3 For Detail (8P Vs 6P)

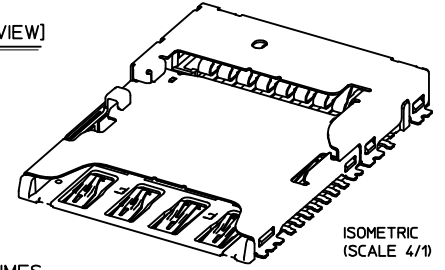
8P	6P	DESCRIPTION
S1	C1	Vcc(Supply V)
S2	C2	RST(Reset)
S3	C3	CLK(Clock)
S4	--	Reserved
S5	C4	GND
S6	C5	Vpp(Program V)
S7	C6	I/O
S8	--	Reserved
G1-G8		GND



[microSD CARD PIN-MAP]

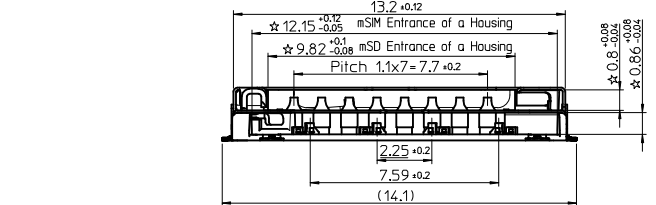
PIN NO.	DESCRIPTION
T1	DAT2
T2	CD/DAT3 ²
T3	CMD
T4	Vpp
T5	CLK
T6	Vss (GND)
T7	DAT0
T8	DAT1
S/W	CARD DETECTOR

RECOMMENDED PCB LAYOUT [FRONT VIEW]
 (TOLERANCE : ±0.05)



NOTES

1. MATERIALS: SEE TABLE
2. FINISHES: SEE TABLE
3. MATES WITH
 - UPPER: microSD Card
 - LOWER: Micro SIM(UICC) Card
4. PRODUCT SPECIFICATIONS: PS-104642-001
5. PACKING SPECIFICATIONS: SPK-104642-002
6. COPLANARITY OF SOLDER TAILS: 0.08mm MAX. BEFORE & AFTER 250°C REFLOW 2TIMES
7. REFERENCE CARD DIMENSIONS ARE WITH STANDARD DIMENSION CARD
8. CUSTOMER'S CTF DIMENSION(*) IS EQUAL TO MOLEX MAJOR QUALITY SYMBOL(▼)



[Circuit diagram for Detection Switch of microSD card]

Card insertion condition	Card detect switch	Circuit
Without Card	Open	mSD #6pin Switch terminal
Card insertion	Close	

NO.	PARTS NAME	MATERIALS	FINISHES
1	CONTACT TERMINAL(16P)	COPPER ALLOY	CONTACT mSIM : GOLD 0.054μm MIN. OVER Pd-Ni 0.34μm MIN. CONTACT mSD : GOLD 0.054μm MIN Pd-Ni 0.24μm MIN. SWITCH : GOLD 0.14μm MIN. (Pd-Ni IS PALLADIUM NICKEL)
2	SWITCH TERMINAL	PHOSPHOR BRONZE	SOLDERS : GOLD 0.054μm MIN. BASE : NICKEL 1.274μm MIN.
3	microSD SHELL	STAINLESS STEEL	BRIGHT NICKEL 1.274μm MIN.
4	microSIM SHELL	STAINLESS STEEL	BRIGHT NICKEL 1.274μm MIN.
5	HOUSING	LIQUID CRYSTAL POLYMER	NATURAL(IVORY) COLOR, UL94V-0
6	EJECT PULLER	STAINLESS STEEL	NONE

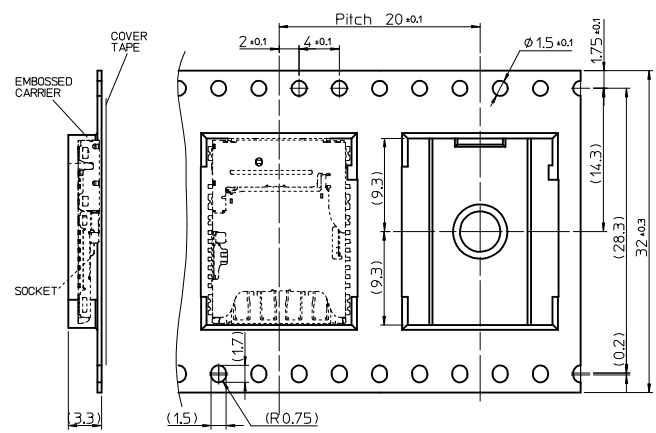
REVISED QUANTITY	2014/12/01	2014/12/01	2014/12/09
EC NO: KOR2015-0070	DRW:NEGI/IM	CHK:KDS/SHU	APPR:YSK/IMO2
A1	REV	DESCRIPTION	QUALITY SYMBOLS

GENERAL TOLERANCES (UNLESS SPECIFIED)	DIMENSION STYLE	
	mm	INCH
4 PLACES	± ---	± ---
3 PLACES	± 0.12	± ---
2 PLACES	± 0.12	± ---
1 PLACE	± 0.15	± ---
0 PLACE	± 0.15	± ---

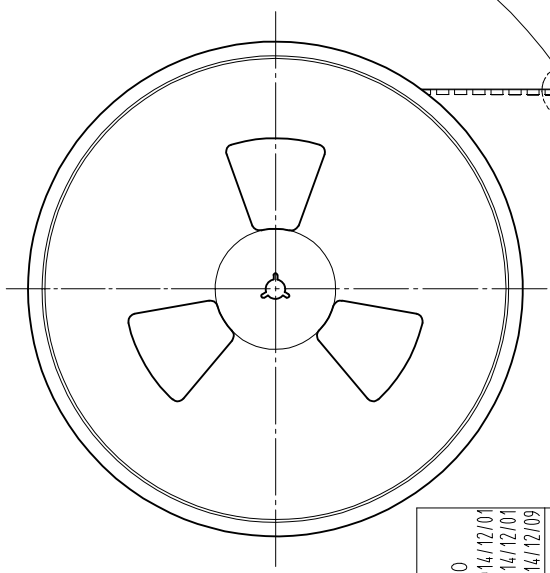
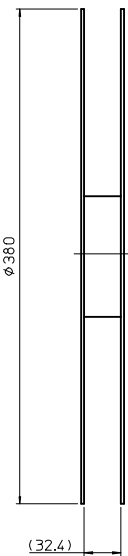
DRAWN BY	EGK/IM	DATE	2014/04/29
CHECKED BY		DATE	2014/04/29
APPROVED BY	YSK/IMO2	DATE	2014/11/25
MATERIAL NO.	SEE TABLE		

SCALE	5/1	DESIGN UNITS	METRIC	THIRD ANGLE PROJECTION
TITLE			COMBO 2.10H PULLER TYPE MICROSD/MICROSIM 8P/8P WITH S/W	
DOCUMENT NO.			SD-104642-001	
SHEET NO.			1 OF 3	

10 9 8 7 6 5 4 3 2 1



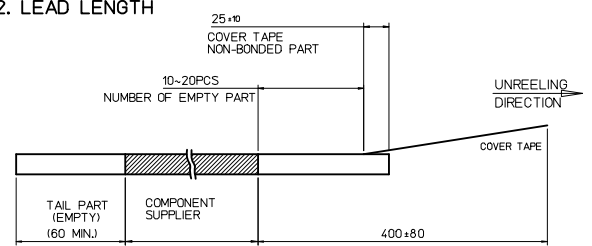
TOP VIEW OF EMBOSSED CARRIER



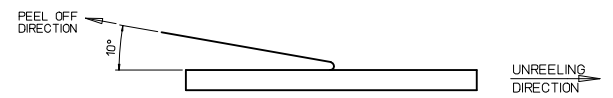
NOTES

1. QUANTITY OF PRODUCTS : 1,500 PCS / 1 REEL

2. LEAD LENGTH



3. PEELING OFF FORCE OF COVER TAPE : 0.1N~0.59N(10.2~60gf)
(PEELING DIRECTION AS BELOW)
- PEELING OFF SPEED : 300mm/Min.(Ref.)

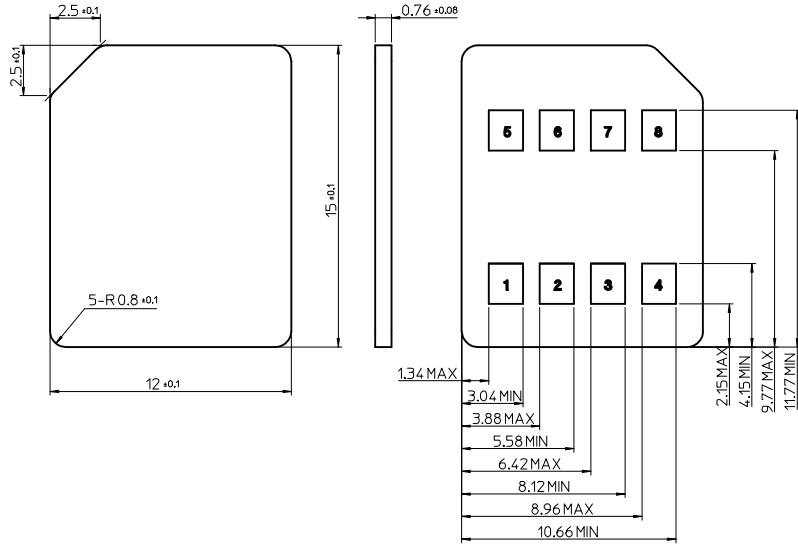


4. MATERIALS OF EMBOSSED CARRIER AND COVER TAPE :
PET(POLYETHYLEN TEREPHTHALATE)

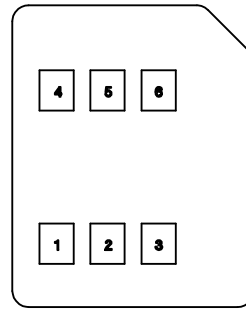
SEE SHEET1 EC NO: KOR2015-0070 DRW:EGKIM 2014/12/01 CHKD:SHCHU 2014/12/01 APPR:YSKIM02 2014/12/09	QUALITY SYMBOLS ▽=0 ▽=0	GENERAL TOLERANCES (UNLESS SPECIFIED)		DIMENSION STYLE MM ONLY		SCALE 2/1	DESIGN UNITS METRIC	THIRD ANGLE PROJECTION		
			mm	INCH	DRAWN BY EGKIM	DATE 2014/04/29	TITLE COMBO 2.10H PULLER TYPE MICROSD/MICROSIM 8P/8P WITH S/W molex			
		4 PLACES ± --- ± --- 3 PLACES ± 0.12 ± --- 2 PLACES ± 0.12 ± --- 1 PLACE ± 0.15 ± --- 0 PLACE ± 0.15 ± ---			CHECKED BY YSKIM02	DATE 2014/04/29				
		SEE SHEET1 A1	DESCRIPTION REV	ANGULAR ± 1 ° DRAFT WHERE APPLICABLE MUST REMAIN WITHIN DIMENSIONS		MATERIAL NO. SEE SHEET1	DATE 2014/11/25	DOCUMENT NO. SD-104642-001	SHEET NO. 2 OF 3	

9 8 7 6 5 4 3 2 1

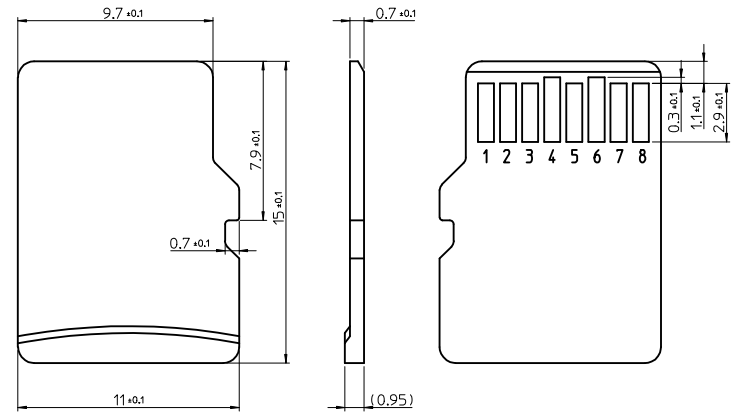
REFERENCE DRAWING



MICRO SIM SPECIFICATION



MICRO SIM 6P



microSD CARD

[Reference Standards]

- microSD Card Addendum Version 3.0 Draft 0.8

- ETSI TS 102 221 V9.1.0, Smart Cards, UICC-Terminal interface, Physical and logical characteristics

SEE SHEET1 IEC NO: KOR2015-0070 DRW:EGKIM CHKD:SHCHU APPR:YSKIM02	2014/12/01 2014/12/01 2014/12/09	DESCRIPTION REV	QUALITY SYMBOLS	GENERAL TOLERANCES (UNLESS SPECIFIED)	DIMENSION STYLE	SCALE	DESIGN UNITS	THIRD ANGLE PROJECTION
			▽=0 ∇=0	mm INCH	MM ONLY	4/1	METRIC	
			4 PLACES ± --- ± ---	DRAWN BY DATE	TITLE COMBO 2.10H PULLER TYPE MICROSD/MICROSIM 8P/8P WITH S/W			
			3 PLACES ± 0.12 ± ---	EGKIM 2014/04/29				
2 PLACES ± 0.12 ± ---	CHECKED BY DATE	molex						
1 PLACE ± 0.15 ± ---	2014/04/29							
0 PLACE ± 0.15 ± ---	APPROVED BY DATE	SD-104642-001						
ANGULAR ± 1 °	YSKIM02 2014/11/25							
DRAFT WHERE APPLICABLE MUST REMAIN WITHIN DIMENSIONS	MATERIAL NO.	DOCUMENT NO.			SHEET NO.			
	SEE SHEET1	SD-104642-001			3 OF 3			
	SIZE A3	THIS DRAWING CONTAINS INFORMATION THAT IS PROPRIETARY TO MOLEX INCORPORATED AND SHOULD NOT BE USED WITHOUT WRITTEN PERMISSION						