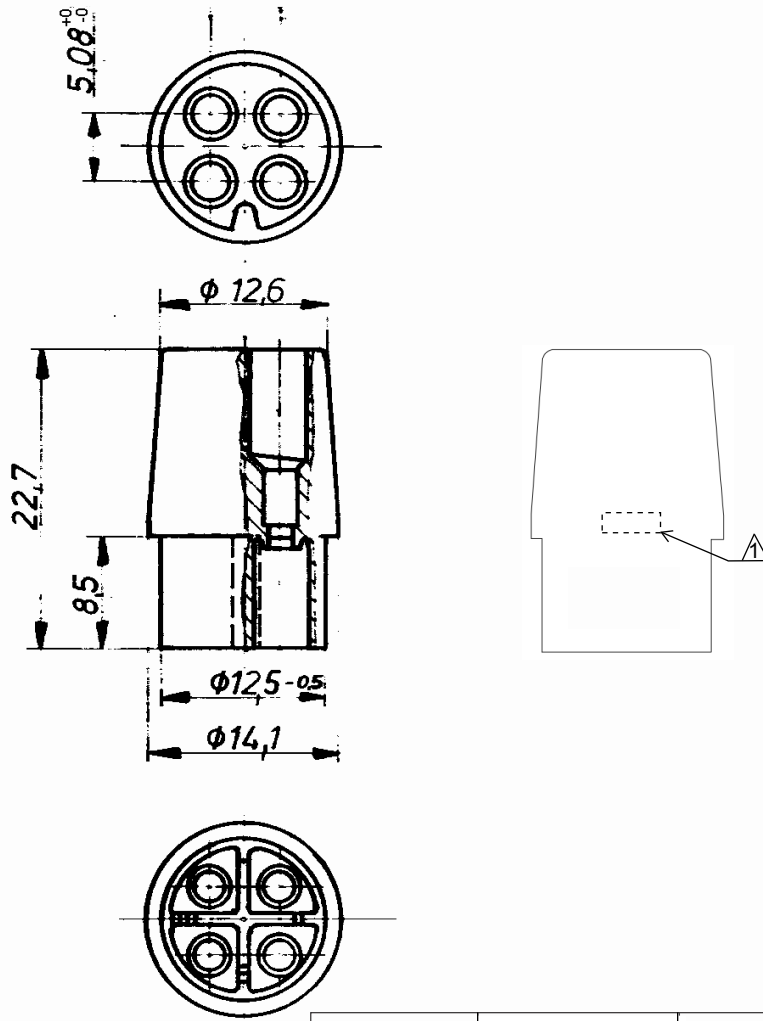


LOC	DIST	REVISONS				
P	LTR	DESCRIPTION	DATE	DWN	APVD	
AL	2					
C5		REVISED PER ECR-15-014424	18NOV2015	NK	EW	
C6		REVISED PER ECR-21-101087	05MAY2021	SS	VS	



1 FROST TE LOGO ON THIS SURFACE  
PER P/N: 1621426-4

	925076-7	PA66 GWT 750°C-V0	NATURAL
	925076-6	PA6 GWT750°C-V2	NATURAL
OBSOLETE	925076-4	PA66	RED
	925076-3	PA66	BLACK
OBSOLETE	925076-2	PA66 UL94	WHITE
OBSOLETE	925076-1	PA66 UL94	NATURAL
	925076	PA66 UL94 V-2	NATURAL
	PN	MATERIAL	COLOUR

THIS DRAWING IS UNPUBLISHED.  
 RELEASED FOR PUBLICATION 20  
 © COPYRIGHT 20 BY TYCO ELECTRONICS CORPORATION. ALL RIGHTS RESERVED.

DIMENSIONS: mm	DWN J. SALO 10AUG2009	MATERIAL	SEE TABLE	FINISH	-
TOLERANCES UNLESS OTHERWISE SPECIFIED:	CHK R. SOLE 10AUG2009				
0 PLC ±-	APVD G. TURCO 10AUG2009				
1 PLC ±0,4	PRODUCT SPEC	NAME 4 WAY CIRCULAR MATE-N-LOK SOCKET HOUSING			
2 PLC ±0,4	APPLICATION SPEC	SIZE	CAGE CODE	DRAWING NO	RESTRICTED TO
3 PLC ±-		A4	00779	C-925076	-
4 PLC ±-	WEIGHT	CUSTOMER DRAWING			
ANGLES ±1° 30'		SCALE	2:1	SHEET	1 OF 1
				REV	C6