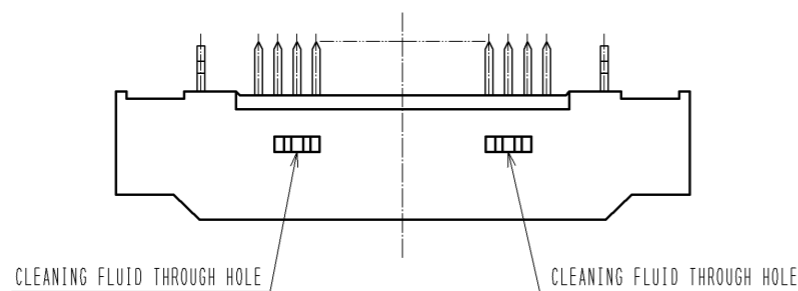
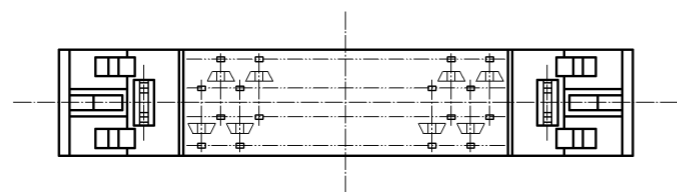
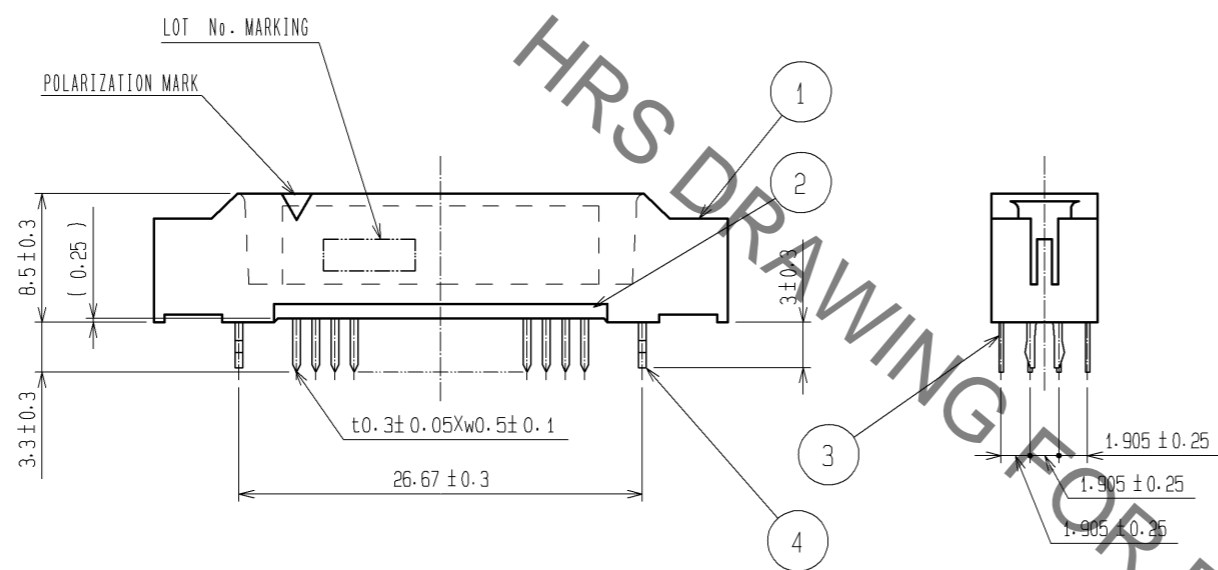
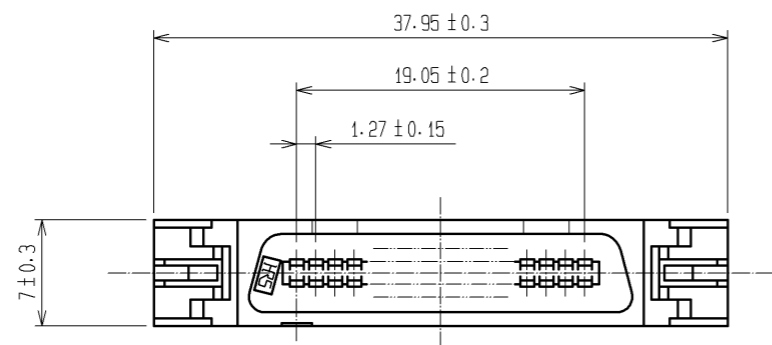
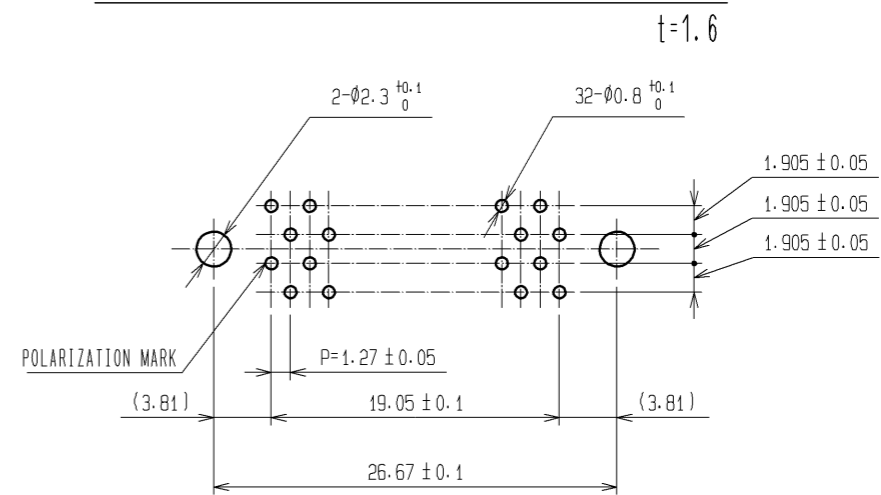


May.1.2023 Copyright 2023 HIROSE ELECTRIC CO., LTD. All Rights Reserved.  
In case of consideration for using Automotive equipment / device which demand high reliability, kindly contact our sales window correspondents.



RECOMMENDED PC BOARD HOLE PATTERN(MOUNTING SIDE)



HRS DRAWING FOR REFERENCE

NOTE 1 THE DIMENSIONS IN PARENTHESES ARE FOR REFERENCE.

4	PHOSPHOR BRONZE	TIN-PLATING		3	PHOSPHOR BRONZE	CONTACT AREA:GOLD 0.2 μm min.		
1, 2	POLYAMIDE	BLACK UL94V-0				DIP AREA:TIN-PLATING 2μm min.		
						UNDER PLATING:NICKEL 2μm min.		
NO.	MATERIAL	FINISH .	REMARKS	NO.	MATERIAL	FINISH .	REMARKS	
UNITS	⊙	SCALE	COUNT	DESCRIPTION OF REVISIONS		DESIGNED	CHECKED	DATE
mm		2 : 1	△					
<b>HRS</b> HIROSE ELECTRIC CO., LTD.		APPROVED : HS. OKAWA	10.02.08	DRAWING NO. EDC3-083535-21				
		CHECED : HT. YAMAGUCHI	10.02.08	PART NO. FX2BA-32P-1.27DSAL(71)				
		DESIGNED : SY. KAMIGA	10.02.05	CODE NO. CL572-0952-0-71				
		DRAWN : HK. SUNADORI	10.02.05					△ 1/1