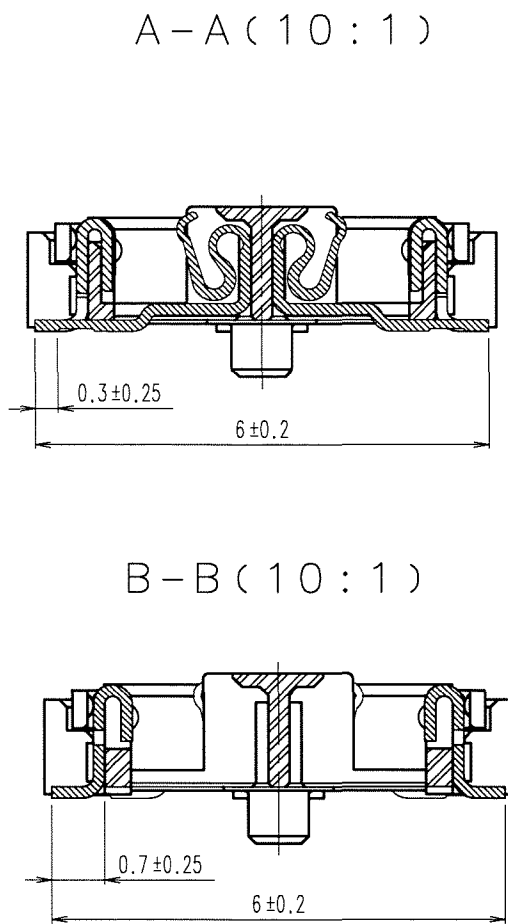
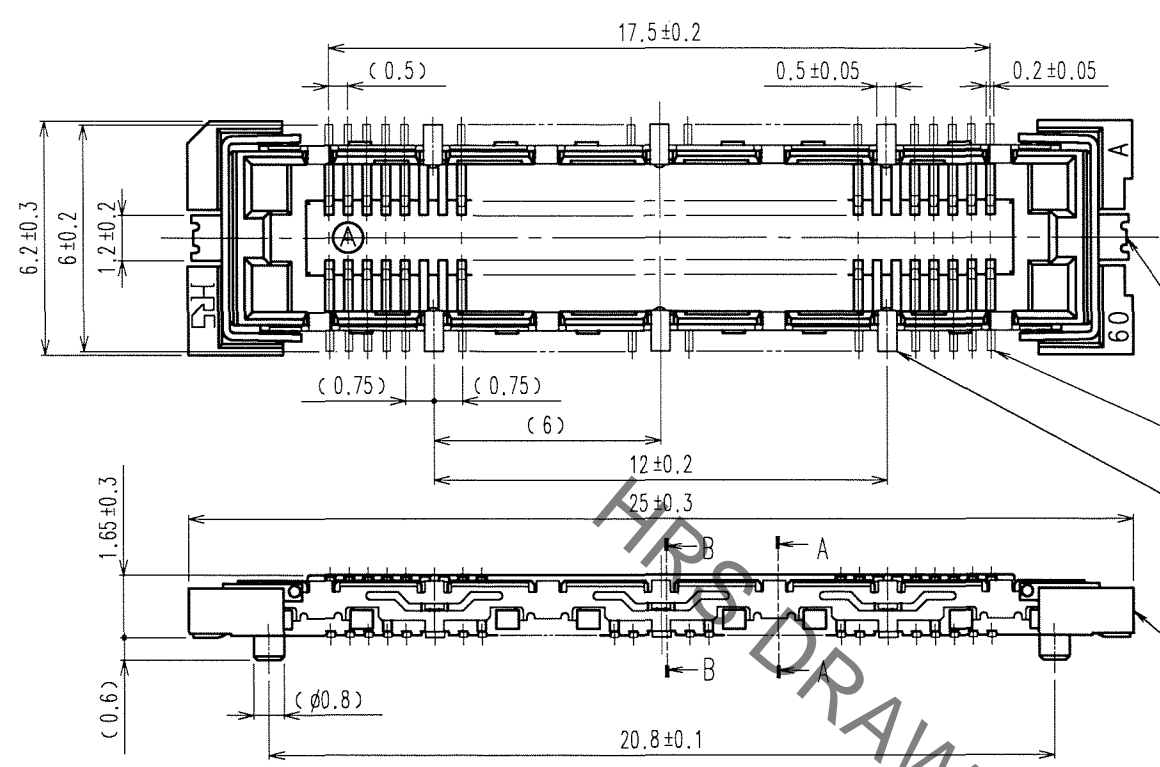
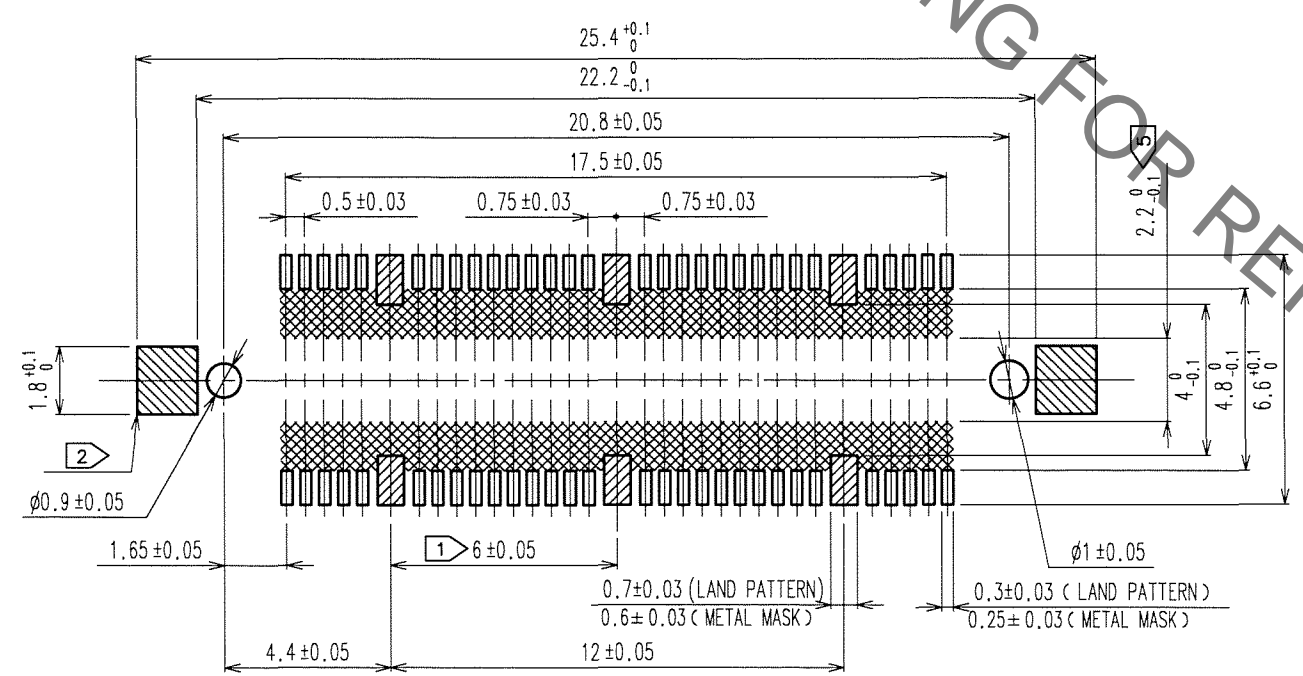


May.1.2023 Copyright 2023 HIROSE ELECTRIC CO., LTD. All Rights Reserved.
In case of consideration for using Automotive equipment / device which demand high reliability, kindly contact our sales window correspondents.

COUNT	DESCRIPTION OF REVISIONS	BY	CHKD	DATE	COUNT	DESCRIPTION OF REVISIONS	BY	CHKD	DATE



RECOMMENDED LAND PATTERN DIMENSION OF PCB



- NOTES
- ① 6 HATCHED PARTS:GROUND CIRUIT.
 - ② 2 HATCHED PARTA:GROUND CIRUIT.
 - ③ SMT LEAD-COPLANARITY:0.1 MAX.
 - ④ THIS PRODUCT HAS NO POLARITY TO PATTERN FOR MOUNTING.
 - ⑤ MAKE SURE WIDTH OF PATTERN IS WITHIN THAT OF LAND ,OR LEAD MAY TOUCH PATTERN.(THIS APPLIES TO HATCHED AREA.)
 - ⑥ TO BE EMBOSSED CARRIER TAPED AS SPECIFIED IN SHEET 2.
 - ⑦ THE DIMENSIONS IN PARENTHESES ARE FOR REFERENCE.

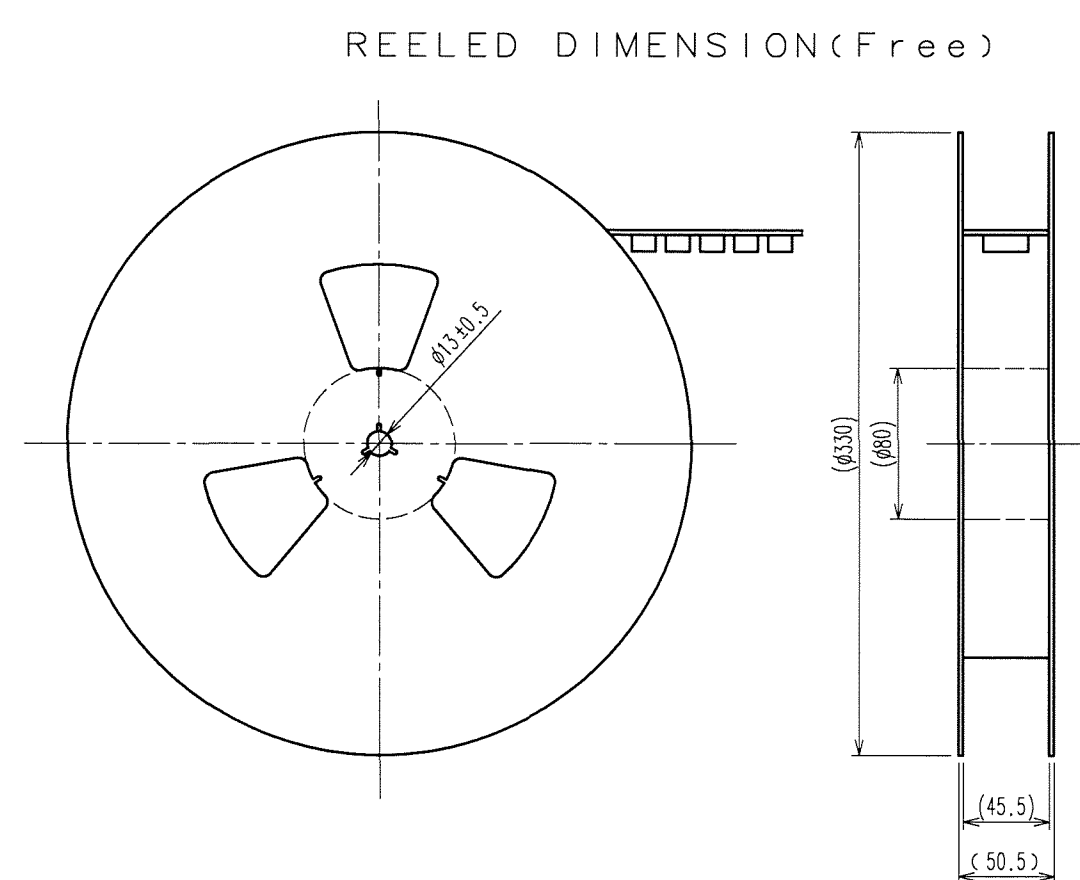
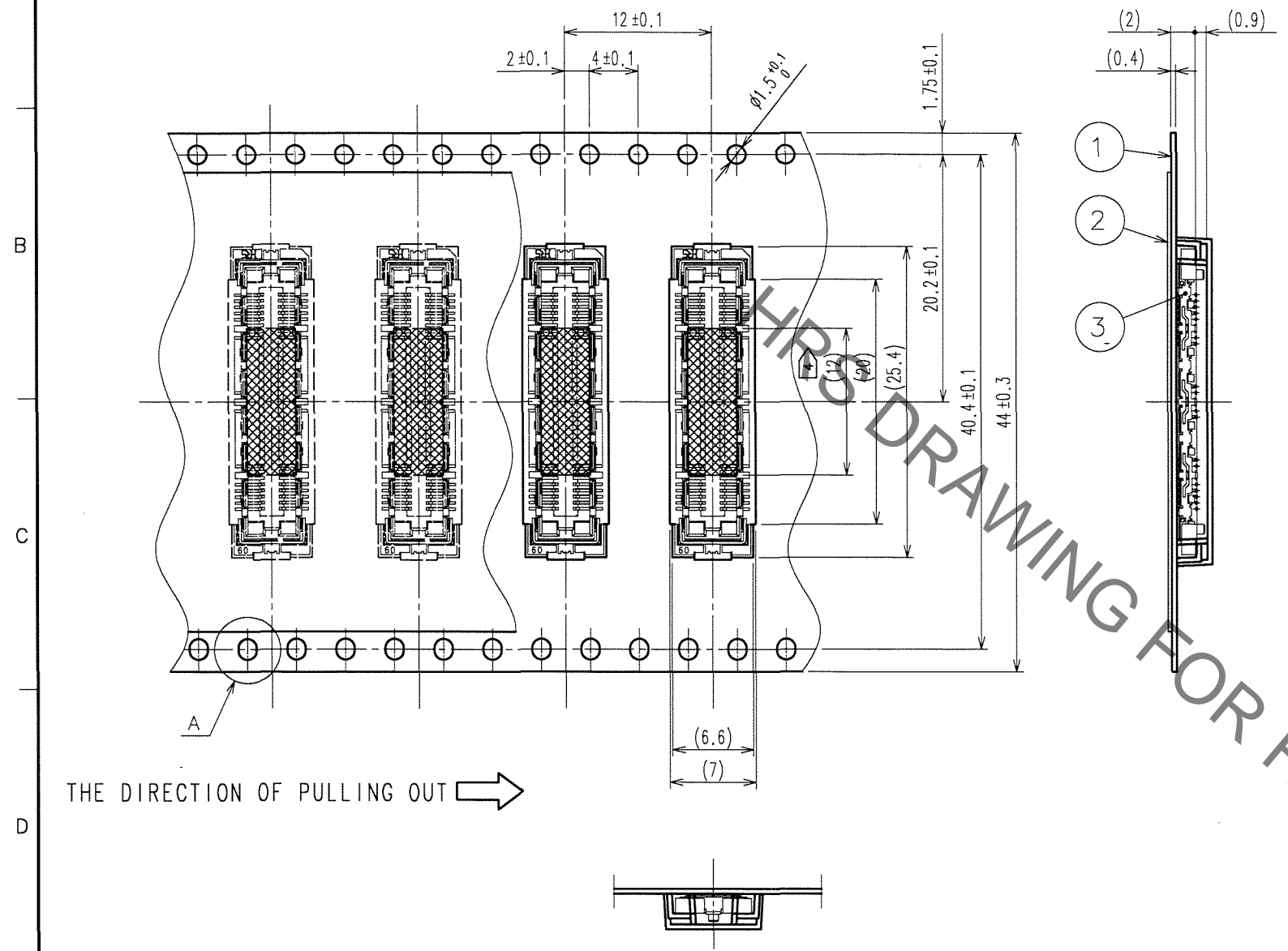
4	PHOSPHOR BRONZE	TIN-PLATING								CONTACT AREA: GOLD 0.1μm min.
3	PHOSPHOR BRONZE	TIN-PLATING			2	PHOSPHOR BRONZE				LEAD AREA: GOLD FLASH
1	LCP	BEIGE UL94V-0								UNDER PLATING: NICKEL 1μm min.
NO.	MATERIAL	FINISH, REMARKS	NO.	MATERIAL	FINISH, REMARKS					

CODE NO. (OLD) CL	DRAWN A.SUZUKAWA 06.09.28	DESIGNED <i>M. Nakamura</i> 06.09.28	CHECKED <i>K. Ozawa</i> 06.09.29	APPROVED <i>H. Okawa</i> 06.09.30	RELEASED
SCALE 5 : 1	DRAWING NO. EDC3-152108-22	PART NO. FX11LA-60S/6-SV(92)			
UNITS mm	HRS HIROSE ELECTRIC CO.,LTD.	CODE NO. CL573-0102-1-92			

TO
PCK

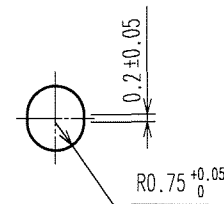
May.1.2023 Copyright 2023 HIROSE ELECTRIC CO., LTD. All Rights Reserved.
In case of consideration for using Automotive equipment / device which demand high reliability, kindly contact our sales window correspondents.

COUNT	DESCRIPTION OF REVISIONS	BY	CHKD	DATE	COUNT	DESCRIPTION OF REVISIONS	BY	CHKD	DATE

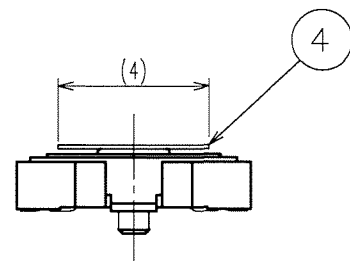


THE DIRECTION OF PULLING OUT →

A (5:1)



DETAIL FOR TAPE PICKUP (5:1)



- NOTES 1 1 REEL: 1000 CONNECTORS.
 2 MINIMUM 10 COMPARTMENTS FROM BOTH REEL ENDS REMAIN EMPTY.
 3 THIS PRODUCT HAS NO POLARITY TO TAPE AND REEL PACKAGING.
 4 REMOVE THE VACUUM PICKUP TAPE AFTER MOUNTING THE CONNECTOR.

TO
PCK

2	PET	TOP COVER TAPE	4	POLYIMIDE	(TAP FOR VACUUM PICKUP)
1	PS	EMBOSSED CARRIER TAPE	3	(CONNECTOR)	
NO.	MATERIAL	FINISH, REMARKS	NO.	MATERIAL	FINISH, REMARKS
CODE NO. (OLD) CL		DRAWN A.SUZUKAWA 06.09.28	DESIGNED <i>A. Nakamura</i> 06.09.28	CHECKED <i>A. Gyo-ma</i> 06.09.29	APPROVED <i>H. Okawa</i> 06.09.30
DRAWING NO. EDC3-152108-22			PART NO. FX11LA-60S/6-SV(92)		
SCALE 2:1			CODE NO. CL573-0102-1-92		
UNITS mm			HIROSE ELECTRIC CO., LTD		