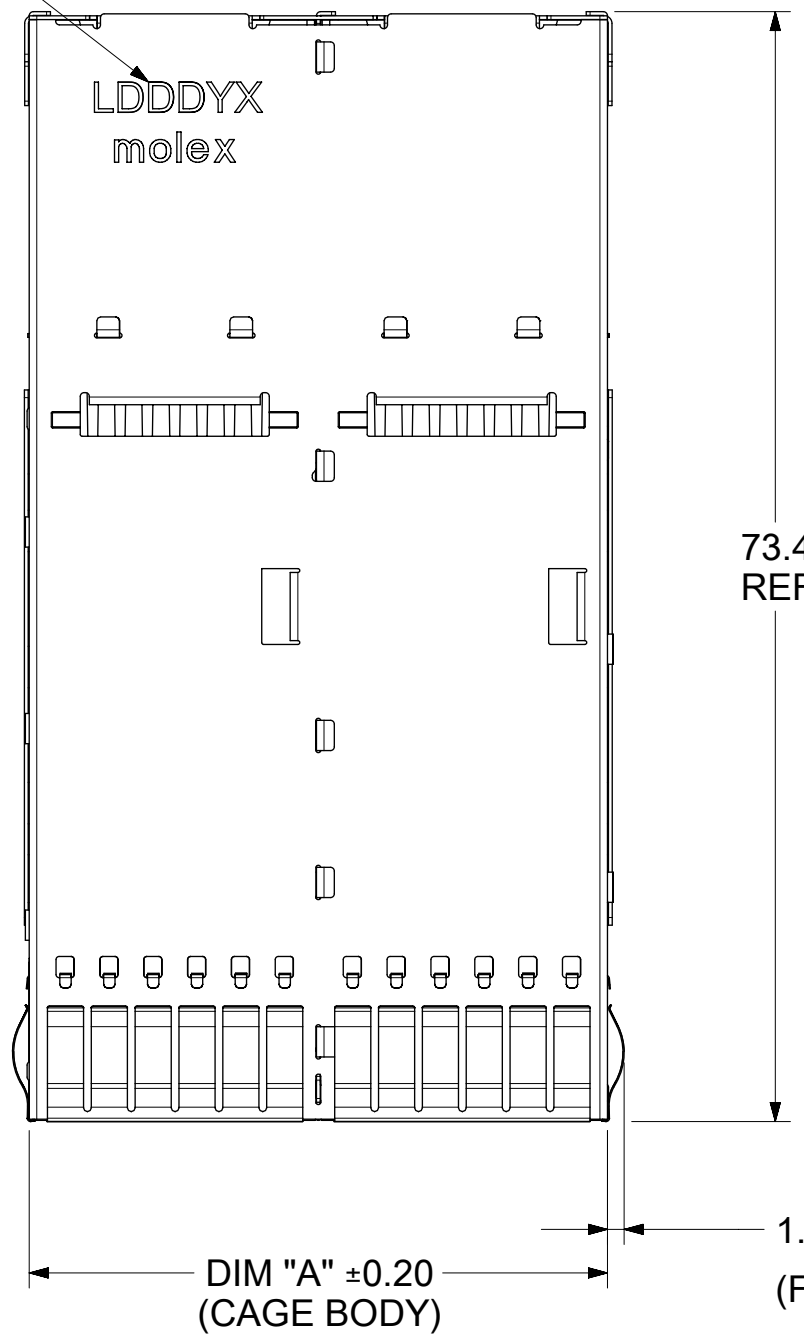
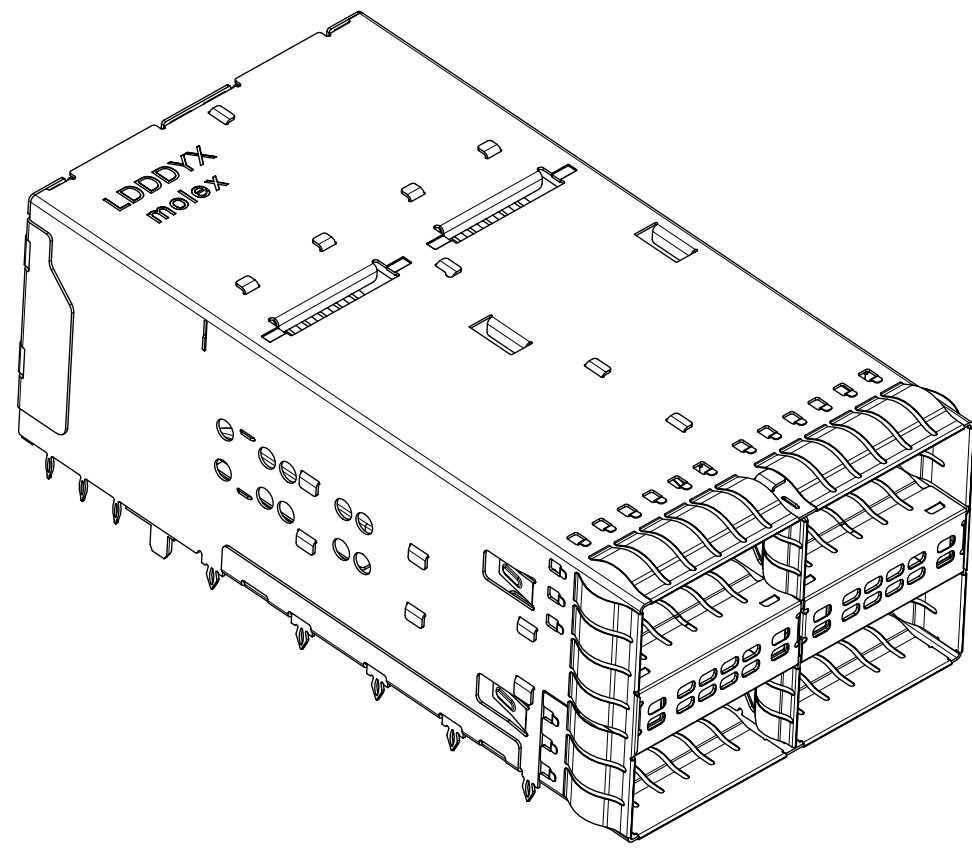


1717222001 SHOWN

DATE CODE,
FOR ALL VIEW.



NOTES:

1. MATERIAL:

- CAGE: COPPER ALLOY, 0.25 THICK
- EMI STRAPS: COPPER ALLOY, 0.10 THICK
- LIGHT PIPES: POLYCARBONATE (PER TELCORDIA-GR-63-CORE-ISSUE3, SECTION 4.2.3.1; R4-43, DISCRETE STRUCTURAL COMPONENTS CONSTITUTING A FUEL LOAD OF 1 GRAM OR LESS ARE EXEMPT FROM THE REQUIREMENTS OF R4-43 (91); UL 94V-0 RATING)
- INSULATION SHEET: POLYIMIDE FILM TAPE, THICKNESS 0.05±0.01MM.
- COLOR : AMBER OR EQUIVALENT.
- CONNECTOR HOUSING: HIGH PERFORMANCE THERMOPLASTIC, 94V-0
- TERMINALS: HIGH PERFORMANCE COPPER ALLOY, 0.18 THICK

2. FINISH:

- SPRING FINGERS: 0.5µm MIN. NICKEL OVERALL
- TERMINALS: CONTACT AREA: 0.76µm MIN GOLD OVER 0.5µm MIN NICKEL.
- COMPLIANT AREA: 0.76-1.52µm MATTE TIN OVER 1.3µm MIN NICKEL.

3. ALL SURFACES TO BE CLASS 'C' OR BETTER PER MOLEX COSMETIC SPECIFICATION PS-45499-002.

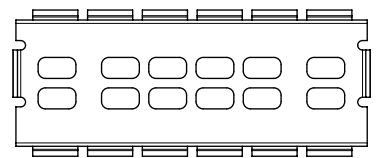
4. REFER TO PK-76871-9001 FOR ALL PACKAGING SPECIFICATIONS.

5. CONNECTOR INTENDED TO MATE WITH PLUG CABLE SERIES 74757 AND 74758.

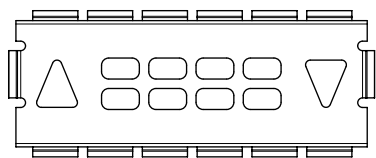
6. DATE CODE LOCATION SHOWN, DATE CODE FORMAT: LDDDYX

- L: MOLEX INTERNAL CONTROL
- DDD: DAY OF THE YEAR
- Y: LAST DIGIT OF YEAR
- X: MOLEX INTERNAL CONTROL

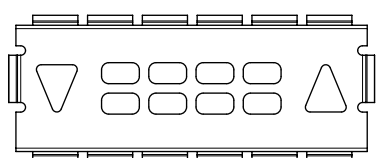
FRONT PLATE OPTIONS



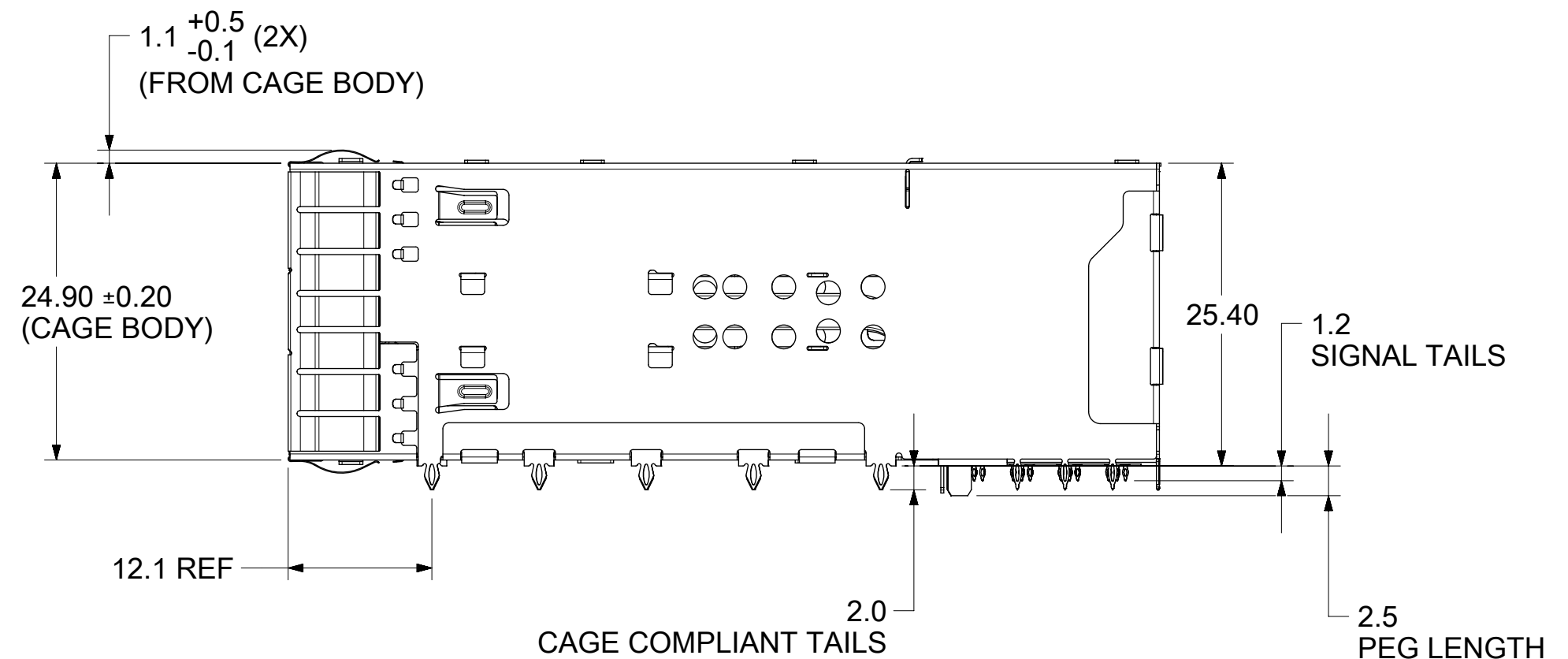
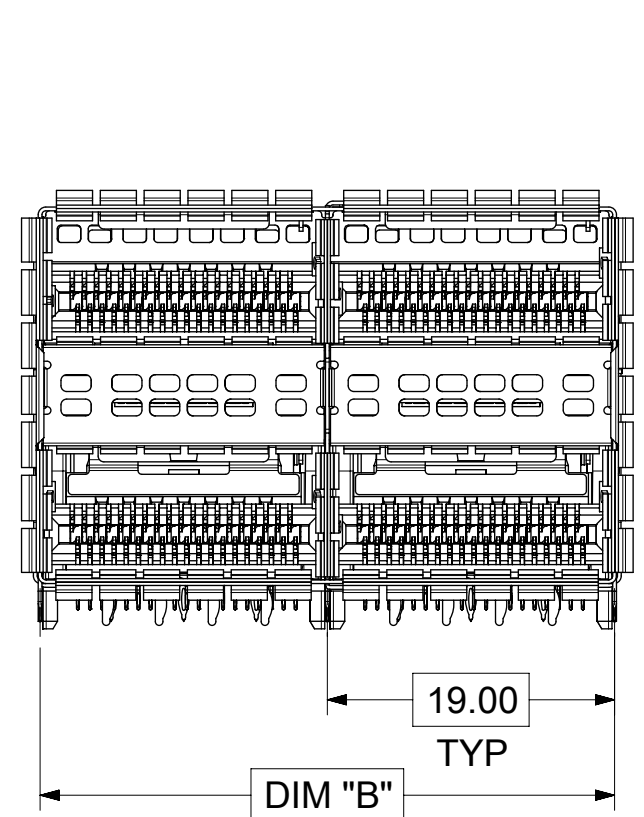
P/N 171722-*001/171722-1004
AIRFLOW ONLY
NO LIGHTPIPE



P/N 171722-*002/171722-1005
UP/DOWN LIGHTPIPE INDICATOR



P/N 171722-*003
DOWN/UP LIGHTPIPE INDICATOR



PORT SIZE	PART NUMBER	INSULATION SHEET	DIM 'A'	DIM 'B'
2X1	171722-1001/2/3	NO	19.25	19.00
2X1	171722-1004/1005	YES	19.25	19.00
2X2	171722-2001/2/3	NO	38.25	38.00
2X3	171722-3001/2/3	NO	57.25	57.00

* - DESIGNATES FRONT PLATE OPTIONS

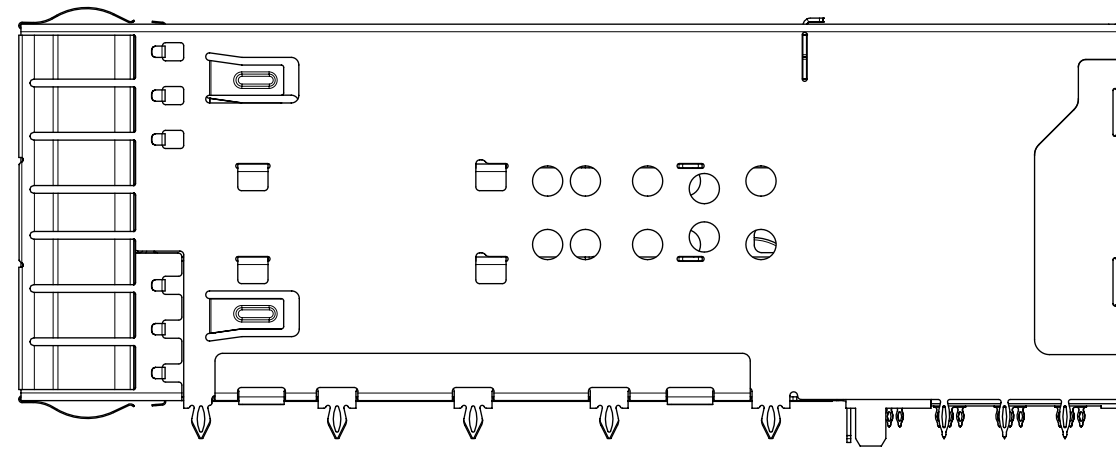
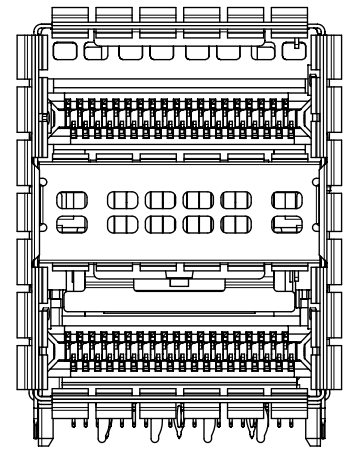
FUNCTIONAL SYMBOLS FA = 0 EA = 0 EP = 0	THIS DRAWING CONTAINS INFORMATION THAT IS PROPRIETARY TO MOLEX ELECTRONIC TECHNOLOGIES, LLC AND SHOULD NOT BE USED WITHOUT WRITTEN PERMISSION		CURRENT REV DESC: SEE REVISION TABLE.	
	DIMENSION UNITS mm	SCALE 2:1		
DIVISIONAL SYMBOLS	GENERAL TOLERANCES (UNLESS SPECIFIED)		EC NO: 721228	
	ANGULAR TOL ± 0.5°		DRWN: DSHETTY01 2022/05/13	
4 PLACES ±		CHK'D: WAYNEL 2022/09/14		
3 PLACES ±		APPR: SYANG16 2022/09/15		
2 PLACES ± 0.13		INITIAL REVISION:		
1 PLACE ± 0.25		DRWN: JLIN47 2021/09/24		
0 PLACES ±		APPR: SYANG16 2021/12/07		
DRAFT WHERE APPLICABLE MUST REMAIN WITHIN DIMENSIONS		THIRD ANGLE PROJECTION	DRAWING C-SIZE	SERIES 171722
DOCUMENT STATUS P1		RELEASE DATE 2022/09/15 02:04:17	DOCUMENT NUMBER 1717222000	
DOC TYPE PSD		DOC PART ASY		REVISION B6
MATERIAL NUMBER SEE P/N TABLE		CUSTOMER GENERAL MARKET		SHEET NUMBER 1 OF 5

molex

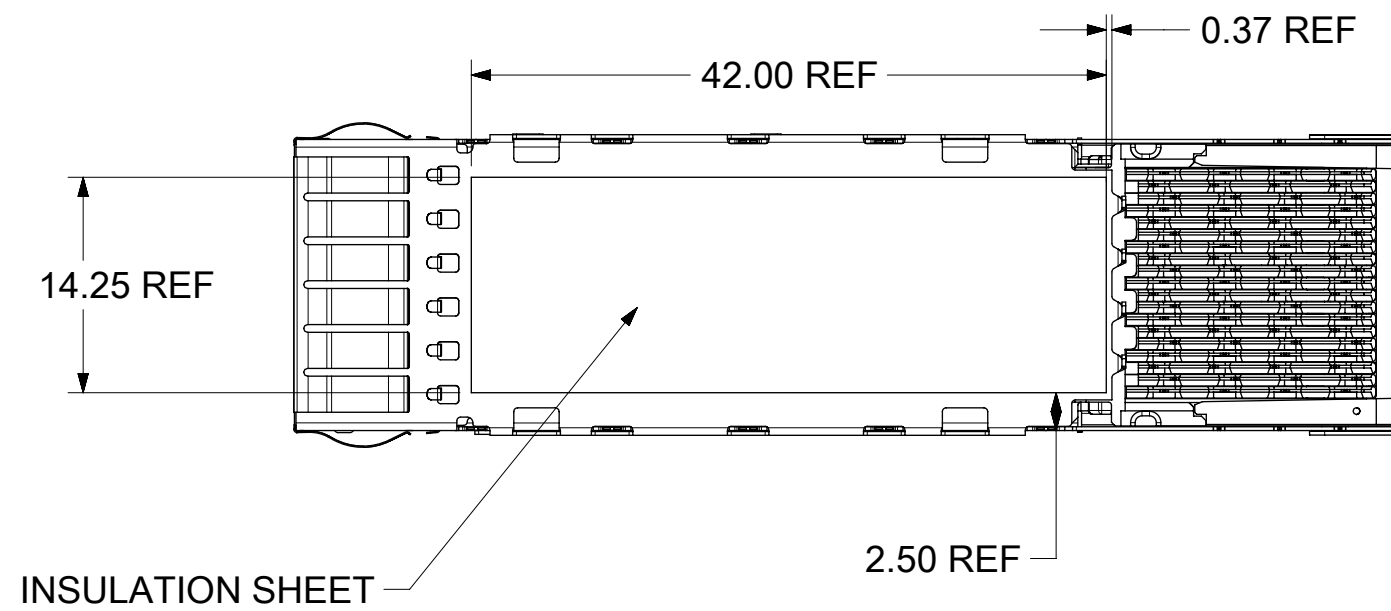
ZQSFP+ STACKED CONNECTOR
WITH EMI SPRING FINGER

PRODUCT CUSTOMER DRAWING

1717221004 SHOWN



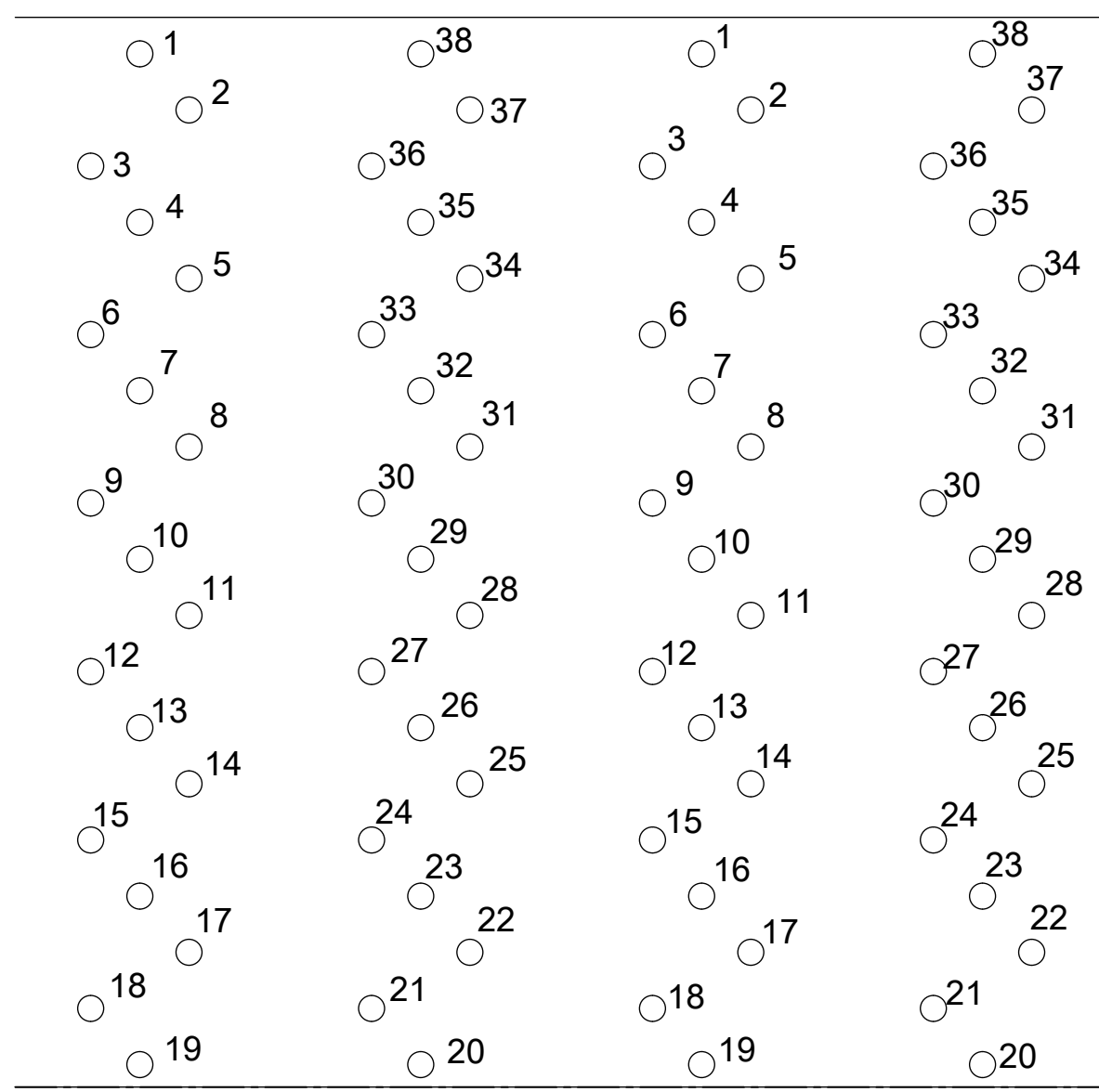
LOCATION OF INSULATION SHEET



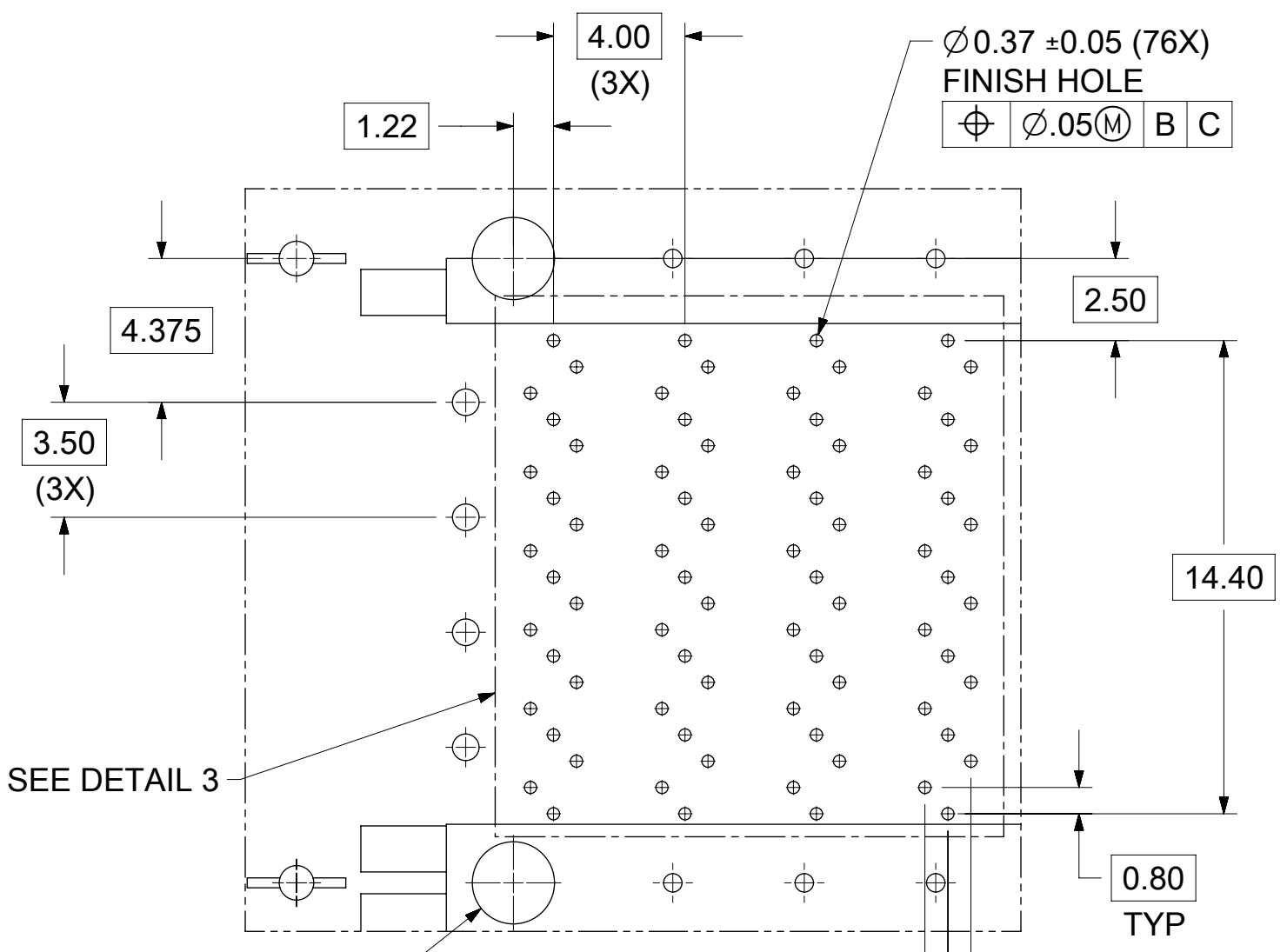
1. THIS SHEET SHOWS COMMON DIMENSIONS FOR 1717221004 AND 1717221005.

FUNCTIONAL SYMBOLS	THIS DRAWING CONTAINS INFORMATION THAT IS PROPRIETARY TO MOLEX ELECTRONIC TECHNOLOGIES, LLC AND SHOULD NOT BE USED WITHOUT WRITTEN PERMISSION												
	$\frac{F}{A} = 0$ $\frac{F}{C} = 0$ $\frac{F}{P} = 0$	DIMENSION UNITS mm	SCALE 2:1	CURRENT REV DESC: SEE REVISION TABLE.									
GENERAL TOLERANCES (UNLESS SPECIFIED)			EC NO: 721228 DRWN: DSHETTY01 2022/05/13 CHK'D: WAYNEL 2022/09/14 APPR: SYANG16 2022/09/15							ZQSFP+ STACKED CONNECTOR WITH EMI SPRING FINGER			
DIVISIONAL SYMBOLS			ANGULAR TOL $\pm 0.5^\circ$ 4 PLACES \pm 3 PLACES \pm 2 PLACES ± 0.13 1 PLACE ± 0.25 0 PLACES \pm							PRODUCT CUSTOMER DRAWING			
DRAFT WHERE APPLICABLE MUST REMAIN WITHIN DIMENSIONS			THIRD ANGLE PROJECTION 		DRAWING C-SIZE		SERIES 171722		DOCUMENT NUMBER 1717222000		DOC TYPE PSD	DOC PART ASY	REVISION B6
			MATERIAL NUMBER SEE P/N TABLE		CUSTOMER GENERAL MARKET		SHEET NUMBER 2 OF 5						

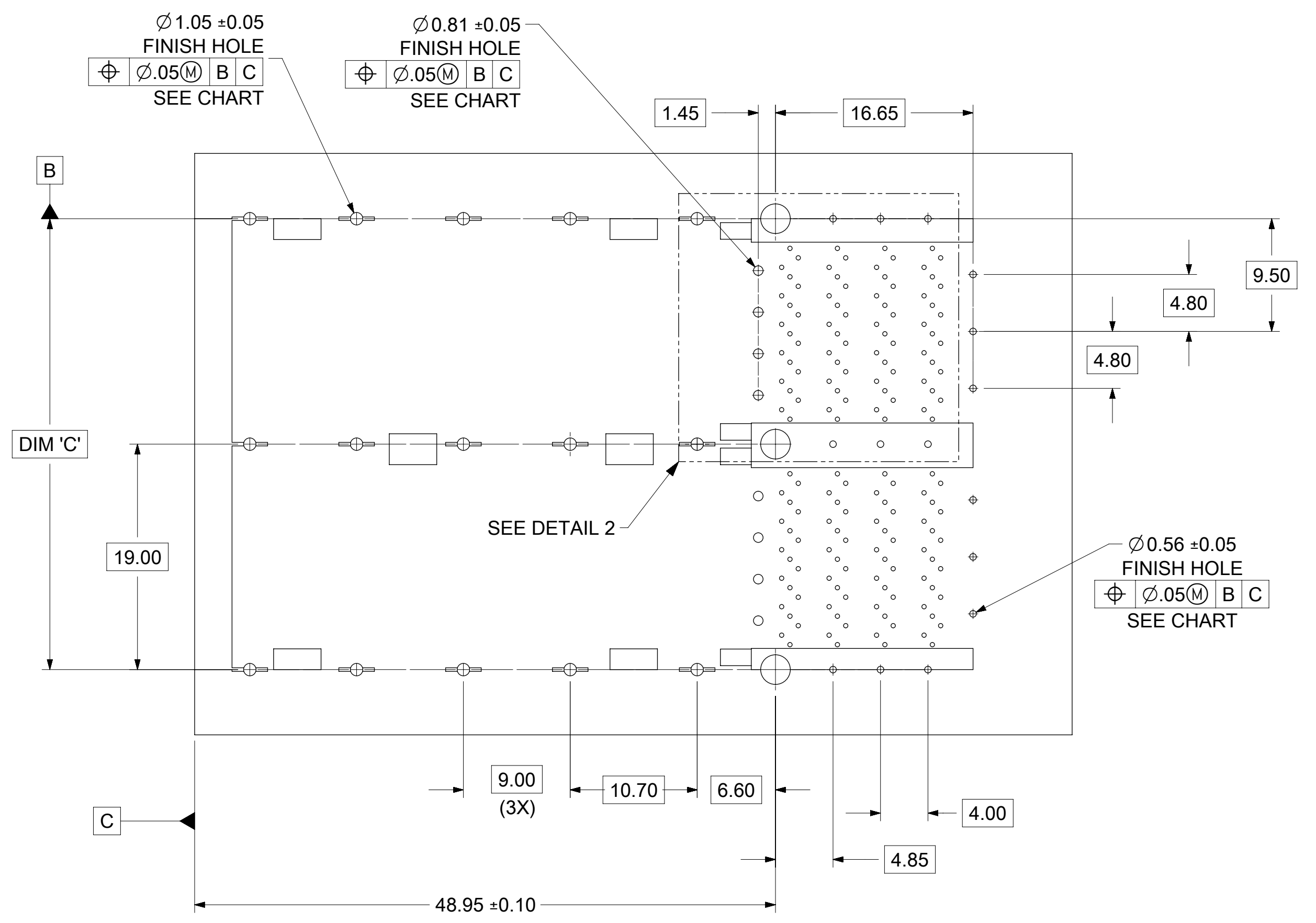
DOCUMENT STATUS	P1	RELEASE DATE	2022/09/15 02:04:17
-----------------	----	--------------	---------------------



DETAIL 3
LOWER PORT PIN ASSIGNMENTS UPPER PORT

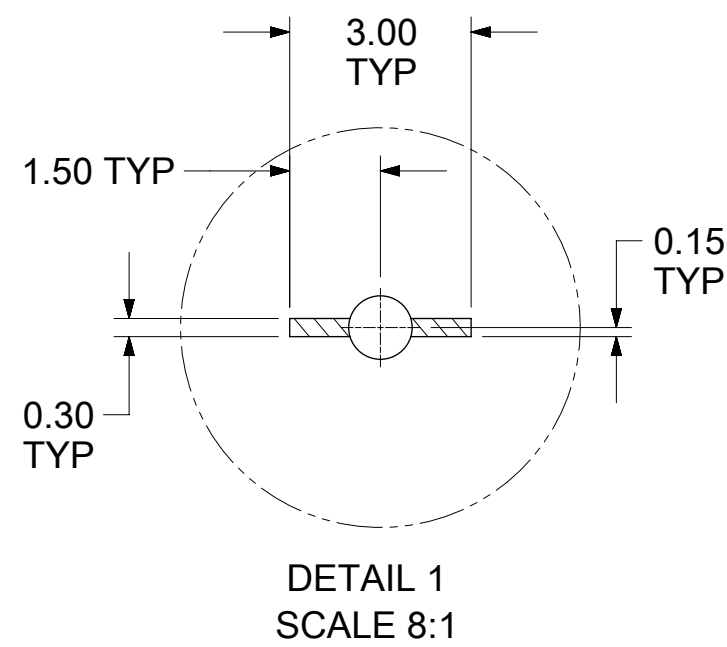
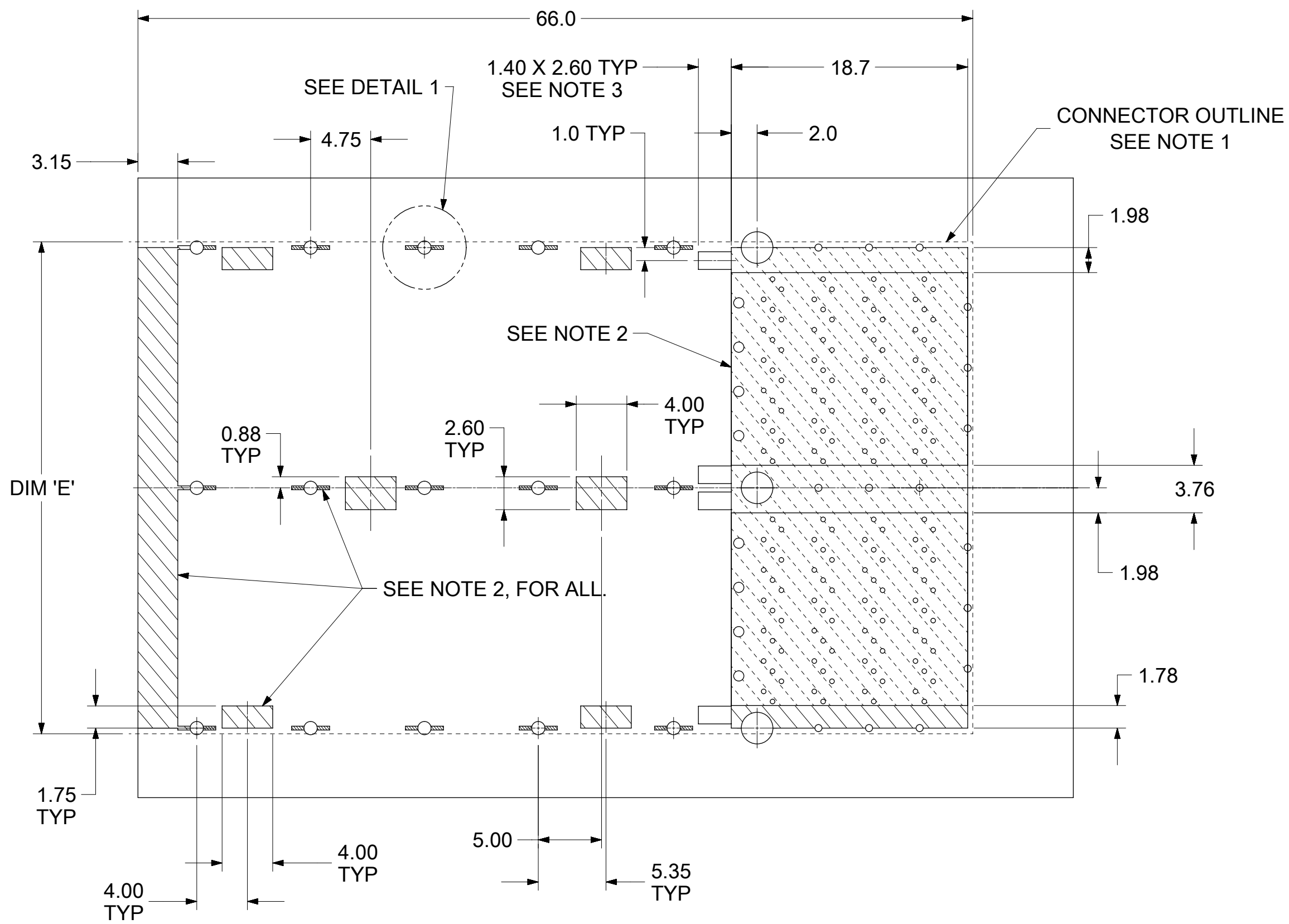


DETAIL 2
SCALE 5:1

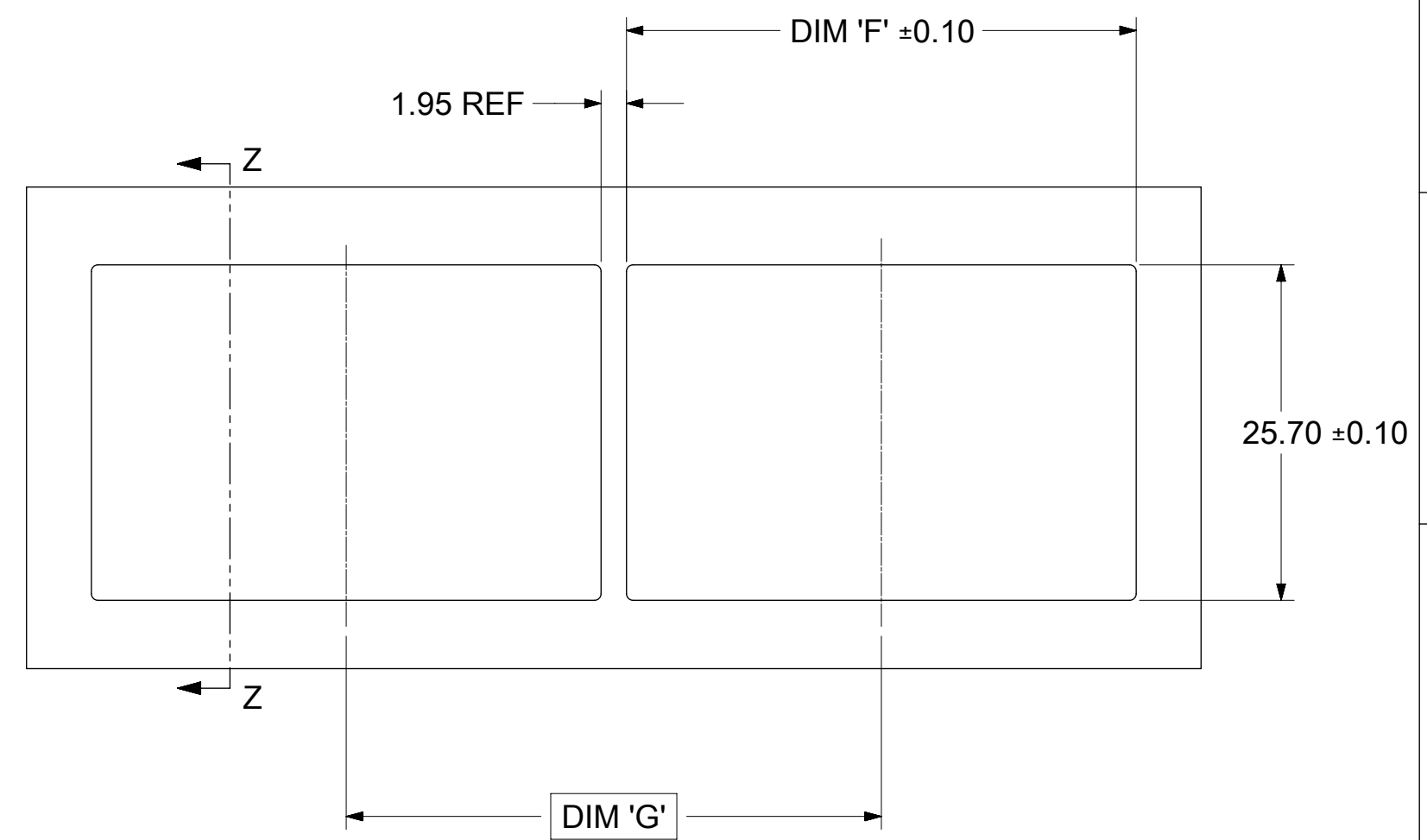


PORT SIZE	DIM 'C'	1.05Ø QUANTITY	0.56Ø QUANTITY	0.81Ø QUANTITY
2X1	19.00	10	9	4
2X2	38.00	15	15	8
2X3	57.00	20	21	12

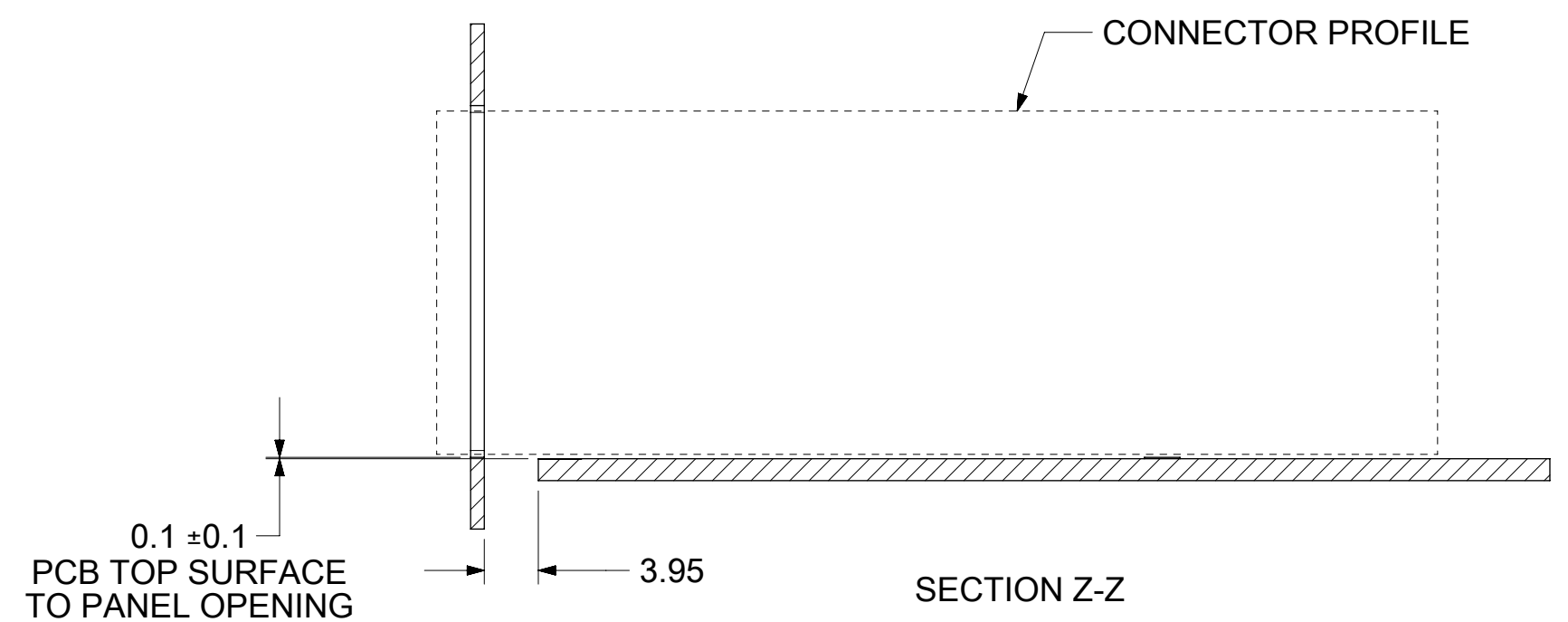
FUNCTIONAL SYMBOLS $\nabla_A = 0$ $\nabla_C = 0$ $\nabla_P = 0$	THIS DRAWING CONTAINS INFORMATION THAT IS PROPRIETARY TO MOLEX ELECTRONIC TECHNOLOGIES, LLC AND SHOULD NOT BE USED WITHOUT WRITTEN PERMISSION		CURRENT REV DESC: SEE REVISION TABLE.		
	DIMENSION UNITS	SCALE	 ZQSFP+ STACKED CONNECTOR WITH EMI SPRING FINGER PRODUCT CUSTOMER DRAWING		
	mm	3:1			
	GENERAL TOLERANCES (UNLESS SPECIFIED)				
ANGULAR TOL ± 0.5°					
DIVISIONAL SYMBOLS 4 PLACES ± 3 PLACES ± 2 PLACES ± 0.13 1 PLACE ± 0.25 0 PLACES ±	EC NO: 721228		2022/05/13		
	DRWN: DSHETTY01		2022/09/14		
	CHK'D: WAYNEL		2022/09/15		
	APPR: SYANG16				
INITIAL REVISION:		DOCUMENT NUMBER			
DRWN: JLIN47		1717222000		DOC TYPE DOC PART REVISION	
APPR: SYANG16		2021/09/24		PSD ASY B6	
2021/12/07		MATERIAL NUMBER		SHEET NUMBER	
DRAFT WHERE APPLICABLE MUST REMAIN WITHIN DIMENSIONS		THIRD ANGLE PROJECTION	DRAWING	SERIES	
			C-SIZE	171722	
		CUSTOMER		SEE P/N TABLE	
		GENERAL MARKET		3 OF 5	



PANEL OPENING AND CONNECTOR
SPACING RECOMMENDATIONS



PORT SIZE	DIM 'E'	DIM 'F'	DIM 'G'
2 X 1	19.9	20.05	22.00
2 X 2	38.9	39.05	41.00
2 X 3	57.9	58.05	60.00




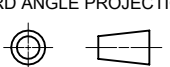
NOTES:

1. THE ENTIRE AREA UNDER THE CONNECTOR IS A KEEP OUT ZONE FOR COMPONENTS AND TRACES, TOP LAYER ONLY, EXCEPT FOR CHASSIS GROUND.
2. CROSS-HATCHED AREAS INDICATE PLACES WHERE THE PLASTIC HOUSING AND METAL CAGE MAY CONTACT PCB SURFACE. THESE AREAS ARE KEEP OUT ZONES. CROSS-HATCHED AREA UNDER THE CONNECTOR ARE TRACE AND VIA KEEP OUT AREAS FOR THE TOP LAYER.
3. THESE 2 RECTANGULAR ZONES ARE FOR LED PLACEMENT. LED HEIGHT SHOULD NOT EXCEED 0.8 AND PLACEMENT SHOULD BE CENTERED WITHIN THIS LED KEEP-IN ZONE.
4. RECOMMENDED LED CHIP PACKAGE SIZE IS 0805.

FUNCTIONAL SYMBOLS	THIS DRAWING CONTAINS INFORMATION THAT IS PROPRIETARY TO MOLEX ELECTRONIC TECHNOLOGIES, LLC AND SHOULD NOT BE USED WITHOUT WRITTEN PERMISSION			CURRENT REV DESC: SEE REVISION TABLE.					
	DIMENSION UNITS	SCALE							
$\nabla_A = 0$	mm	2:1		EC NO: 721228			ZQSFP+ STACKED CONNECTOR WITH EMI SPRING FINGER		
$\nabla_C = 0$	GENERAL TOLERANCES (UNLESS SPECIFIED)			DRWN: DSHETTY01 2022/05/13					
$\nabla_P = 0$	ANGULAR TOL ± 0.5°			CHK'D: WAYNEL 2022/09/14			PRODUCT CUSTOMER DRAWING		
DIVISIONAL SYMBOLS	4 PLACES ±			APPR: SYANG16 2022/09/15					
	3 PLACES ±			INITIAL REVISION:			DOCUMENT NUMBER 1717222000		
	2 PLACES ± 0.13			DRWN: JLIN47 2021/09/24					
	1 PLACE ± 0.25			APPR: SYANG16 2021/12/07			MATERIAL NUMBER CUSTOMER SHEET NUMBER SEE P/N TABLE GENERAL MARKET 4 OF 5		
	0 PLACES ±			DRAFT WHERE APPLICABLE MUST REMAIN WITHIN DIMENSIONS					
	THIRD ANGLE PROJECTION			DRAWING SERIES					
				C-SIZE 171722					

H
G
F
E
D
C
B
A

REVISION HISTORY		
DATE	REV.	DESCRIPTION
2021/09/24	B	REMASTERED DRAWING FROM SD-171722-2000 PSD 001 TO 1717222000 PSD ASY SHEET 1: C07 : CHANGED THE DIMENSION 19.00 REF TO BASIC DIMENSION 19.00 B07 : CHANGED THE DIM B±0.30 TO BASIC DIM B
2021/10/21	B1	ADDED NEW P/N 1717221004 ADDED INSULATION VIEW IN SHEET 2 SHEET 1: A08 : ADDED 1717221004 IN BOM TABLE
2021/11/03	B2	UPDATED DATE CODE OF 1717221002 FROM LDDDYX TO DDDY
2021/12/07	B3	UPDATED DATE CODE OF 1717221002 FROM DDDY TO LDDDYX
2022/01/16	B4	CORRECTED VIEW SHEET 2: G07 : CORRECTED VIEW OF 1717221004
2022/05/12	B5	ADDED P/N 1717221005 TO DRAWING. SHEET 1: A09: ADDED 1717221005 P/N IN TABLE. H05: ADDED MATERIAL DETAILS OF INSULATION SHEET. SHEET 2: A12 : ADDED NOTES "COMMON DIMENSIONS FOR 1717221004 AND 1717221005".
2022/09/13	B6	REMOVED OLD FEATURE ON PCB LAYOUT

FUNCTIONAL SYMBOLS	THIS DRAWING CONTAINS INFORMATION THAT IS PROPRIETARY TO MOLEX ELECTRONIC TECHNOLOGIES, LLC AND SHOULD NOT BE USED WITHOUT WRITTEN PERMISSION																			
	DIMENSION UNITS	SCALE	CURRENT REV DESC: SEE REVISION TABLE.																	
$\frac{F}{A} = 0$	mm	1:1	EC NO: 721228 DRWN: DSHETTY01 2022/05/13 CHK'D: WAYNEL 2022/09/14 APPR: SYANG16 2022/09/15 INITIAL REVISION: DRWN: JLIN47 2021/09/24 APPR: SYANG16 2021/12/07									ZQSFP+ STACKED CONNECTOR WITH EMI SPRING FINGER								
$\frac{F}{C} = 0$	GENERAL TOLERANCES (UNLESS SPECIFIED)										PRODUCT CUSTOMER DRAWING						DOCUMENT NUMBER	DOC TYPE	DOC PART	REVISION
$\frac{F}{P} = 0$	ANGULAR TOL ± 0.5°										1717222000						PSD	ASY	B6	
DIVISIONAL SYMBOLS	4 PLACES ±										SHEET NUMBER									
	3 PLACES ±										5 OF 5									
	2 PLACES ± 0.13																			
	1 PLACE ± 0.25																			
	0 PLACES ±																			
DRAFT WHERE APPLICABLE MUST REMAIN WITHIN DIMENSIONS		THIRD ANGLE PROJECTION	DRAWING	SERIES	MATERIAL NUMBER	CUSTOMER														
			C-SIZE	171722	SEE P/N TABLE	GENERAL MARKET														

DOCUMENT STATUS	P1	RELEASE DATE	2022/09/15 02:04:17
-----------------	----	--------------	---------------------

FORMATS: moxletr © 2002-C
REVISION: J
DATE: 2022/09/14