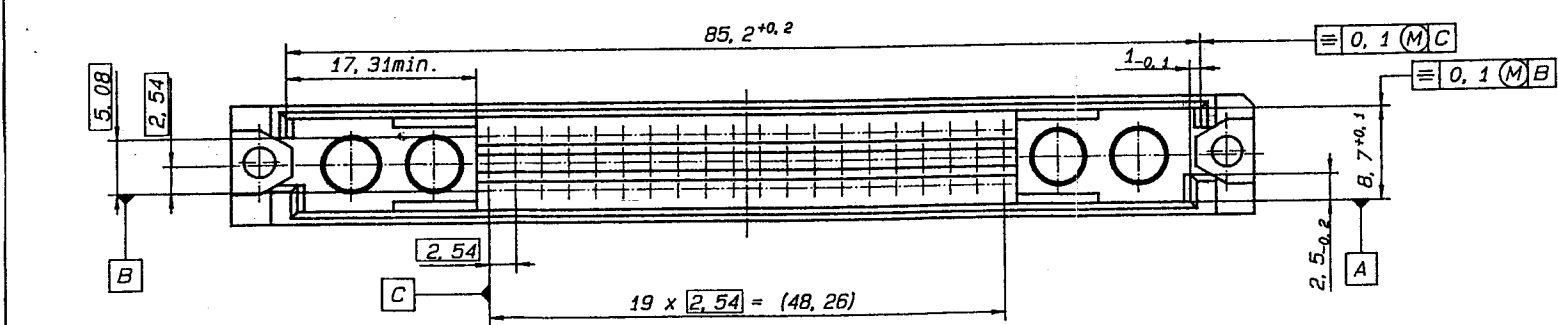
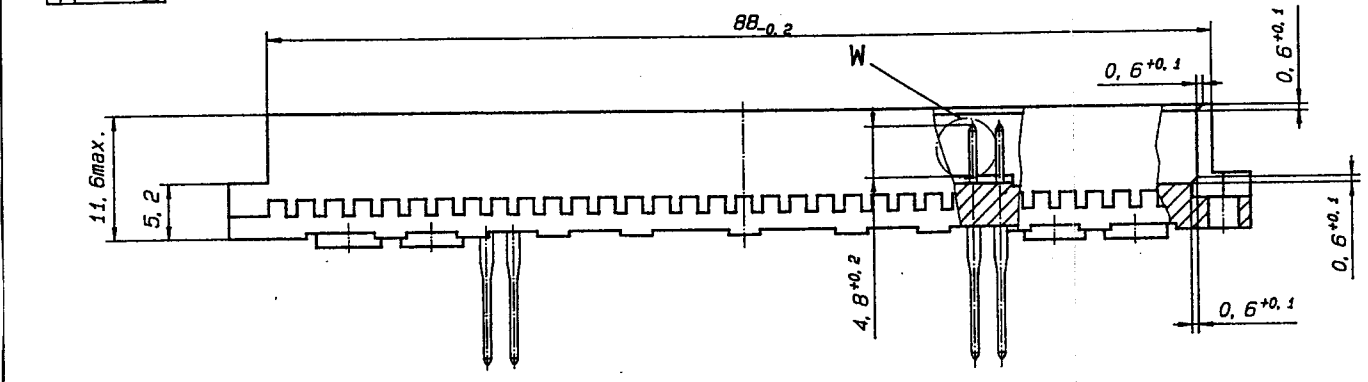
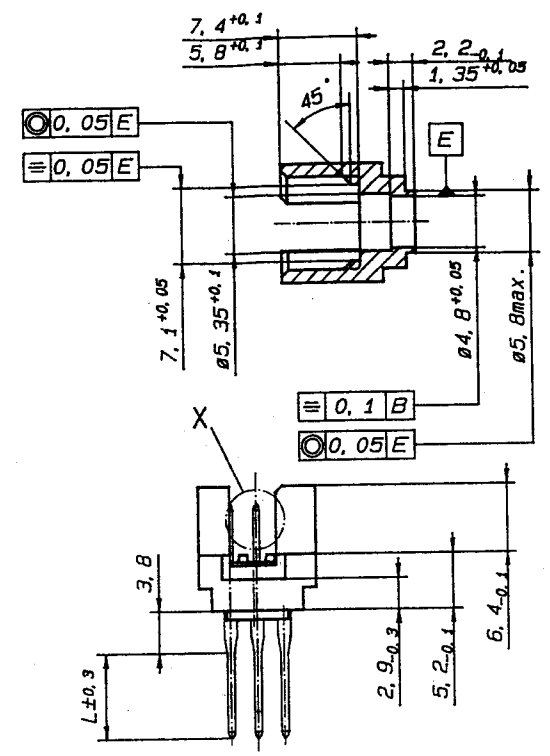
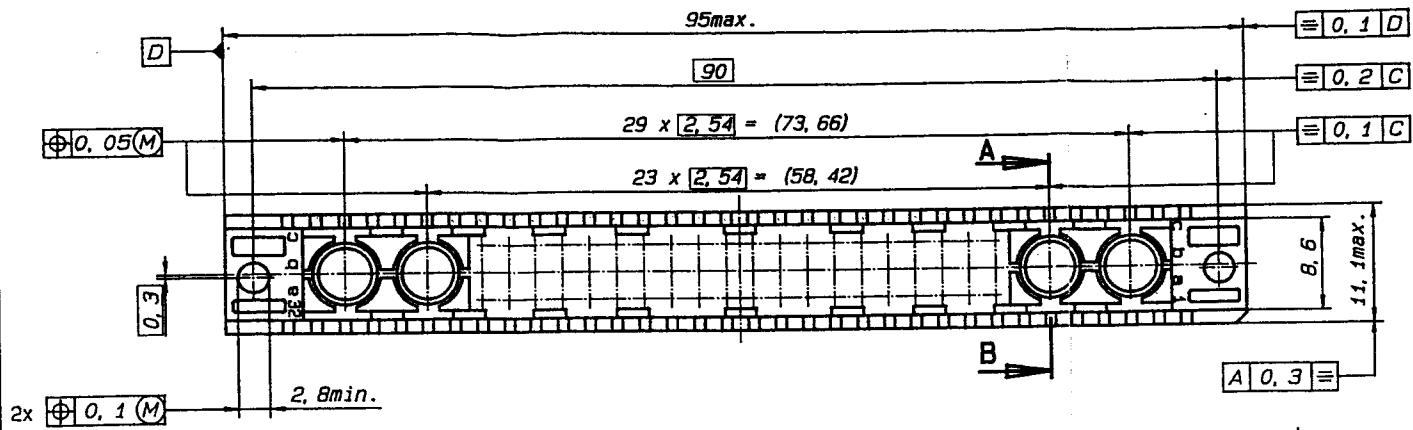
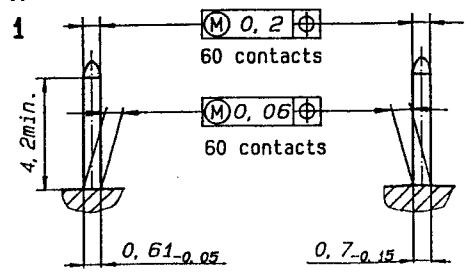


Section A-B
(without contacts)



View X
5:1



View W
5:1

NO RELEASE
REFERENCE
USE ONLY

RoHS COMPLIANT

EC NO: 12006-0679 DRAWN BY: SHANKAR CHECKED BY: CHIKO.SSUDHIR APPR: SSUDHIR	QUALITY SYMBOLS	GENERAL TOLERANCES (UNLESS SPECIFIED)	DIMENSION STYLE	SCALE	DESIGN UNITS	THIRD ANGLE PROJECTION
	4 PLACES \pm 3 PLACES $\pm 0,05$ 2 PLACES $\pm 0,1$ 1 PLACE $\pm 0,15$ ANGULAR $\pm 2^\circ$	mm INCH SHANKAR 2006/06/06 SSUDHIR 2006/06/06 SSUDHIR 2006/06/06	MM ONLY NTS METRIC	TITLE ASSY DIN 41612 STYLE M INVERTED, 60 POS MALE C-PIN, CONNECTOR	MOLEX INCORPORATED	SHEET NO. 1 OF 3
DRAFT WHERE APPLICABLE MUST REMAIN WITHIN DIMENSIONS		SEE SHEET 2 SD-85017-003		MATERIAL NO. DOCUMENT NO.		

60P-6093-0731-9	85017-0282	no	2	----- 2	1, 2, 3...20	a+b+c
60P-6093-0731-7	85017-0294	no	2	Wire wrap 13, 3	1, 2, 3...20	a+b+c
60P-6093-0731-6	85017-0268	no	2	Wire wrap 16, 4	1, 2, 3...20	a+b+c
60P-6093-072V-9	85017-0115	yes	2	----- 2	1, 2, 3...20	a+b+c
60P-6093-072V-8	85017-0103	yes	2	Wire wrap 9, 4	1, 2, 3...20	a+b+c
60P-6093-072V-7	85017-0098	yes	2	Wire wrap 13, 3	1, 2, 3...20	a+b+c
60P-6093-072V-6	85017-0086	yes	2	Wire wrap 16, 4	1, 2, 3...20	a+b+c
60P-6093-0722-9	85017-0024	no	1	----- 2	1, 2, 3...20	a+b+c
Engineering number	Ordering code	Molex std.	Perform. level hard gold acc. MIL-G45204	Termination / L	Contact sequence / row	

RoHS COMPLIANT



EC NO: 12006-0679 DRW: SHANKAR 2006/06/06 CHKD: SSUDHIR 2006/06/06 APPR: SSUDHIR 2006/06/06 A	QUALITY SYMBOLS	GENERAL TOLERANCES (UNLESS SPECIFIED)	DIMENSION STYLE	SCALE	DESIGN UNITS	THIRD ANGLE PROJECTION
	▽-0	mm INCH	MM ONLY	NTS	METRIC	<input checked="" type="checkbox"/> <input type="checkbox"/>
	▽-0	4 PLACES ±	SHANKAR 2006/06/06	DRAWN BY	DATE	TITLE
		3 PLACES ±	SSUDHIR 2006/06/06	CHECKED BY	DATE	ASSY DIN 41612 STYLE M INVERTED, 60 POS MALE C-PIN, CONNECTOR
	2 PLACES ±	SSUDHIR 2006/06/06	APPROVED BY	DATE	Molex	MOLEX INCORPORATED
	1 PLACE ±	ANGULAR ± °	SSUDHIR 2006/06/06	MATERIAL NO.	DOCUMENT NO.	SHEET NO.
		DRAFT WHERE APPLICABLE MUST REMAIN WITHIN DIMENSIONS	SEE CHART	SD-85017-003		2 OF 3
			THIS DRAWING CONTAINS INFORMATION THAT IS PROPRIETARY TO MOLEX INCORPORATED AND SHOULD NOT BE USED WITHOUT WRITTEN PERMISSION			

1. General : Technical Data
60pos. Male connector acc.DIN 41612 style M inverted
(C-Pin)
2. Material :
 - 2.1 Moulding material : Thermoplastic Polyester GV30 grey RAL 7032
 - 2.1.1 Moulding material
burning properties acc. to UL94 V0
 - 2.1.2 Resistance against
solvents : good
 - 2.2 Pin contact : CuSn
 - 2.2.1 Contact plating : Performance level I or II (Test acc.DIN 41612 part.5)
3. Printing : Part.No., date of manufacturing



RoHS COMPLIANT

EC NO: 12006-0679 DRAWN BY: SHANKAR CHECKED BY: SSUDHIR APPROVED BY: SSUDHIR	DESCRIPTION 7006/06/06 7006/06/06 7006/06/06	QUALITY SYMBOLS ▽=0 ▽-0	GENERAL TOLERANCES (UNLESS SPECIFIED)		DIMENSION STYLE MM ONLY		SCALE NTS	DESIGN UNITS METRIC	THIRD ANGLE PROJECTION		
			m/m	INCH	DRAWN BY SHANKAR	DATE 2006/06/06	TITLE ASSY DIN 41612 STYLE M INVERTED, 60 POS MALE C-PIN, CONNECTOR	MATERIAL NO. SD-85017-003		SHEET NO. 3 OF 3	
DRAFT WHERE APPLICABLE MUST REMAIN WITHIN DIMENSIONS			4 PLACES ± 3 PLACES ± 2 PLACES ± 1 PLACE ±		ANGULAR ± °		APPROVED BY SSUDHIR		DATE 2006/06/06		
SIZE A1			THIS DRAWING CONTAINS INFORMATION THAT IS PROPRIETARY TO MOLEX INCORPORATED AND SHOULD NOT BE USED WITHOUT WRITTEN PERMISSION								