

## Han TC300 male contact axial 95-120mm<sup>2</sup>

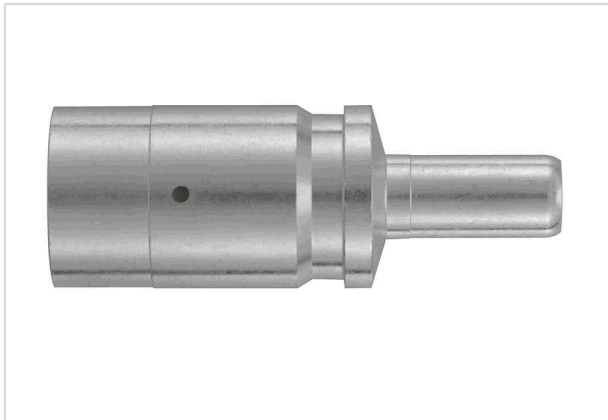


Image is for illustration purposes only. Please refer to product description.

Part number	09 11 000 6539
Specification	Han TC300 male contact axial 95-120mm <sup>2</sup>
HARTING eCatalogue	<a href="https://b2b.harting.com/09110006539">https://b2b.harting.com/09110006539</a>

### Identification

Category	Contacts
Series	TC 300
Type of contact	Axial screw contact

### Version

Gender	Male
Manufacturing process	Turned contacts

### Technical characteristics

Conductor cross-section	95 ... 120 mm <sup>2</sup>
Operating current	≤300 A
Contact resistance	≤0.3 mΩ
Stripping length	19 ... 20 mm
Tightening torque	14 Nm @ 95 mm <sup>2</sup> 16 Nm @ 120 mm <sup>2</sup>
Wrench size	5 20
Limiting temperature	-40 ... +125 °C
Mating cycles	≥500

### Material properties

Material (contacts)	Copper alloy
Surface (contacts)	Silver plated
RoHS	compliant



**Pushing Performance**  
Since 1945

## Material properties

ELV status	compliant
China RoHS	e
REACH Annex XVII substances	Not contained
REACH ANNEX XIV substances	Not contained
REACH SVHC substances	Not contained
California Proposition 65 substances	Not contained

## Specifications and approvals

Specifications	IEC 60664-1
	IEC 61984

## Commercial data

Packaging size	1
Net weight	70 g
Country of origin	Germany
European customs tariff number	85366990
GTIN	5713140188501
eCl@ss	27440204 Contact for industrial connectors