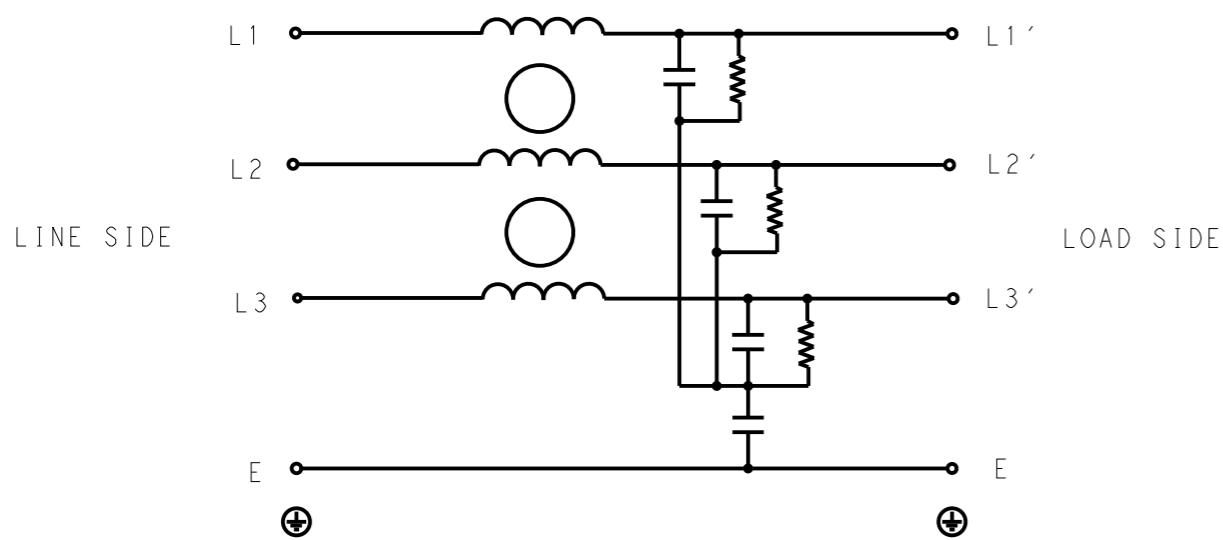


P	LTR	DESCRIPTION	DATE	DWN	APVD
	A	INITIAL RELEASE	30MAR2021	SR	CB



SCHEMATIC

TYPICAL INSERTION LOSS
COMMON MODE 50/50Ω; DIFFERENTIAL MODE 50/50Ω

MHz	0.01	0.05	0.15	0.5	1	3	5	10	30
CM	3	3	10	23	32	34	45	43	30
DM	3	4	8	29	31	36	42	49	49

SAFETY ORGANIZATIONS

THIS FILTER WILL BE FORMALLY RECOGNIZED, CERTIFIED OR APPROVED BY THE LISTED AGENCY. THEREFORE, ALL TEST/REQUIREMENTS SPECIFIED IN THE LATEST REVISION OF THE FOLLOWING AGENCY STANDARDS WILL BE MET:

UL APPROVED 50A 440V 50Hz/60Hz 40°C
CSA RECOGNISED 50A 440V 50Hz/60Hz 40°C

OPERATING SPECIFICATION

LINE CURRENT/VOLTAGE: 50A, 440VAC
LINE FREQUENCY: 50/60Hz

MAXIMUM LEAKAGE CURRENT: 5mA @ 230VAC, 50Hz

OPERATING AMBIENT TEMPERATURE RANGE @ RATED CURRENT: -25°C TO +40°C

IN AN AMBIENT, T_a, HIGHER THAN 40°C, THE MAXIMUM OPERATING CURRENT, I_o, IS AS FOLLOWS:

$$I_o = I_r \sqrt{\frac{85 - T_a}{45}}$$

RELIABILITY SPECIFICATIONS

STORAGE TEMPERATURE: -40°C TO +85°C
HUMIDITY: 21 DAYS @ 40°C AND 95% RH

TEST SPECIFICATIONS

INDUCTANCE, NOMINAL: 0.25mH

CAPACITANCE @ 1kHz

LINE TO GROUND, NOMINAL: 21nF
LINE TO LINE, NOMINAL: 235nF

DISCHARGE RESISTOR

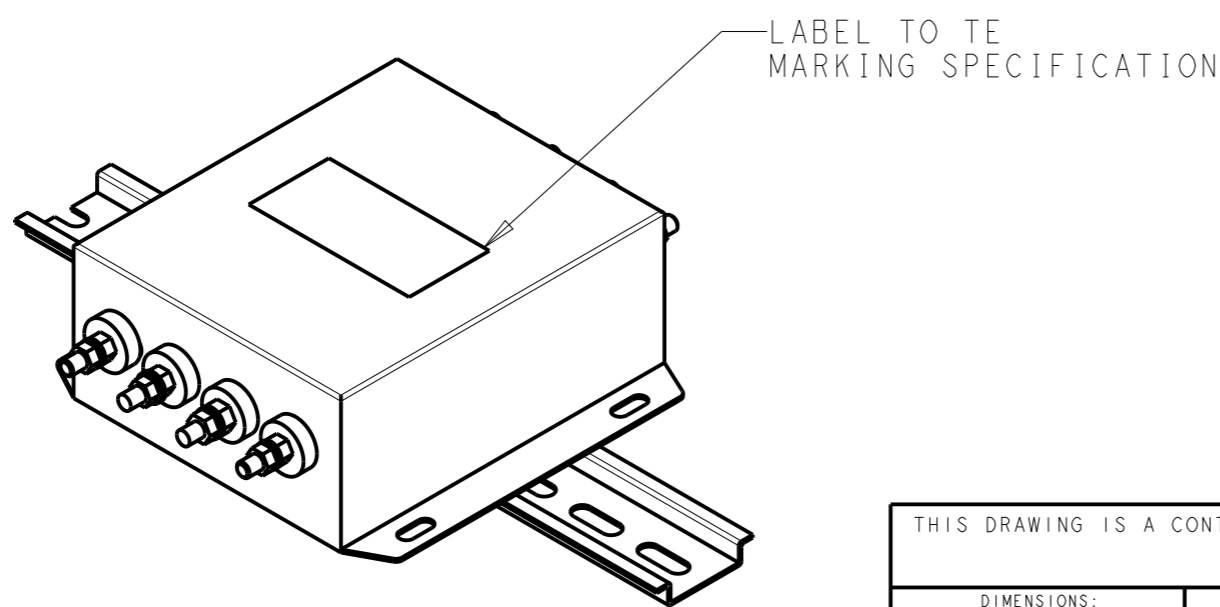
L/G I.R. 680KΩ 1W
L/L I.R. 2MΩ 1W
L/N I.R. XXX
N/G I.R. XXX
IR (NO DISCHARGE RESISTOR) 20°C, 50% RH AND 100VDC, MIN: 6MΩ

RECOMMENDED RECEIVING INSPECITON HIPOI

LINE TO GROUND FOR 1 MINUTE: 2632VDC
LINE TO LINE FOR 1 MINUTE: 1892VDC

FILTER APPROVAL

THE BEST WAY TO SELECT AND QUALIFY A FILTER IS FOR YOUR ENGINEERING TO TEST THE UNIT IN YOUR EQUIPMENT.



THIS DRAWING IS A CONTROLLED DOCUMENT.		DWN SUPREETH R 30MAR2021		
DIMENSIONS: mm		CHK CHRIS BOLLE 30MAR2021		
TOLERANCES UNLESS OTHERWISE SPECIFIED:		APVD CHRIS BOLLE 30MAR2021	NAME POWER LINE FILTER FOR DIN 35 RAIL INSTALLATION 50KEBS6AFPDHM	
0 PLC ±-		PRODUCT SPEC -	SIZE A300779 CAGE CODE C-3-1609965-9	
1 PLC ±0.5		APPLICATION SPEC -	RESTRICTED TO -	
2 PLC ±0.40		WEIGHT -	SCALE 1:2 SHEET 1 OF 2 REV A	
3 PLC ±0.130		CUSTOMER DRAWING		
4 PLC ±0.0500				
ANGLES ±-				
MATERIAL -				
FINISH -				

© 2021 TE Connectivity. All Rights Reserved.

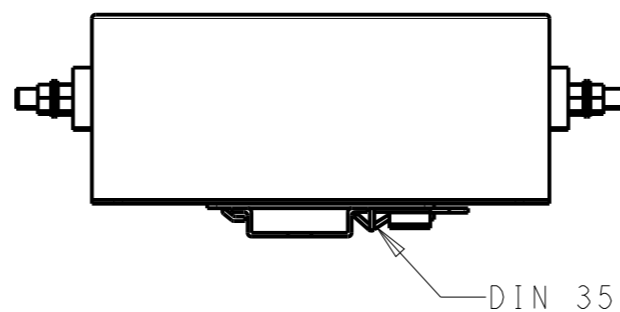
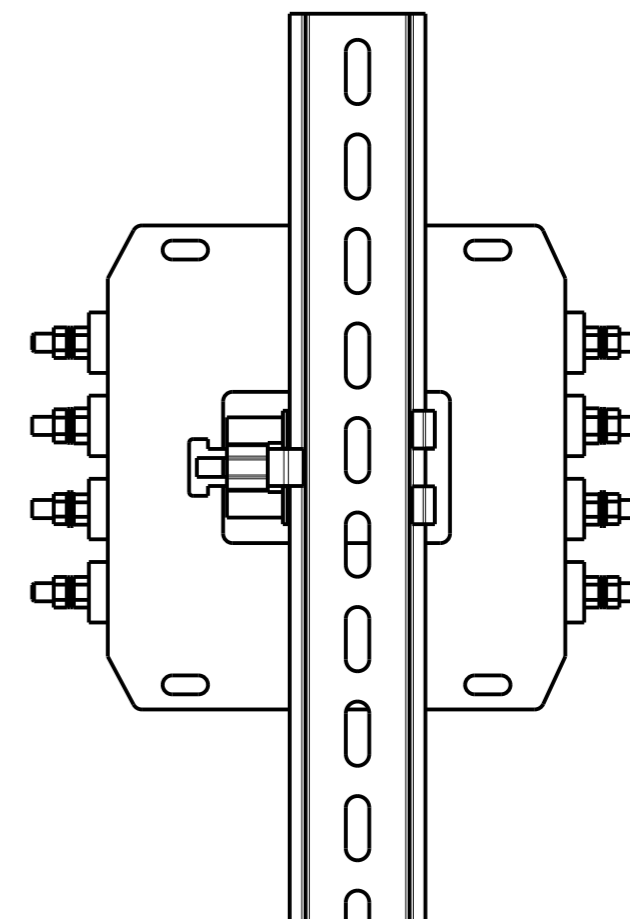
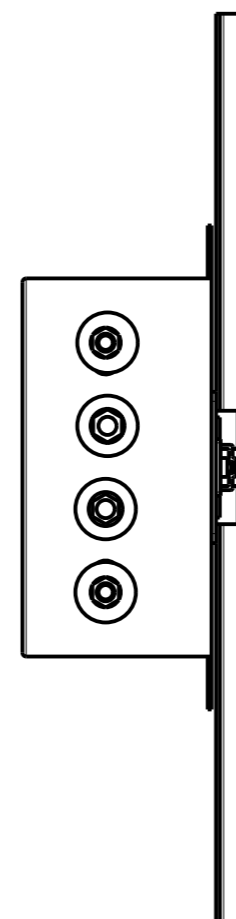
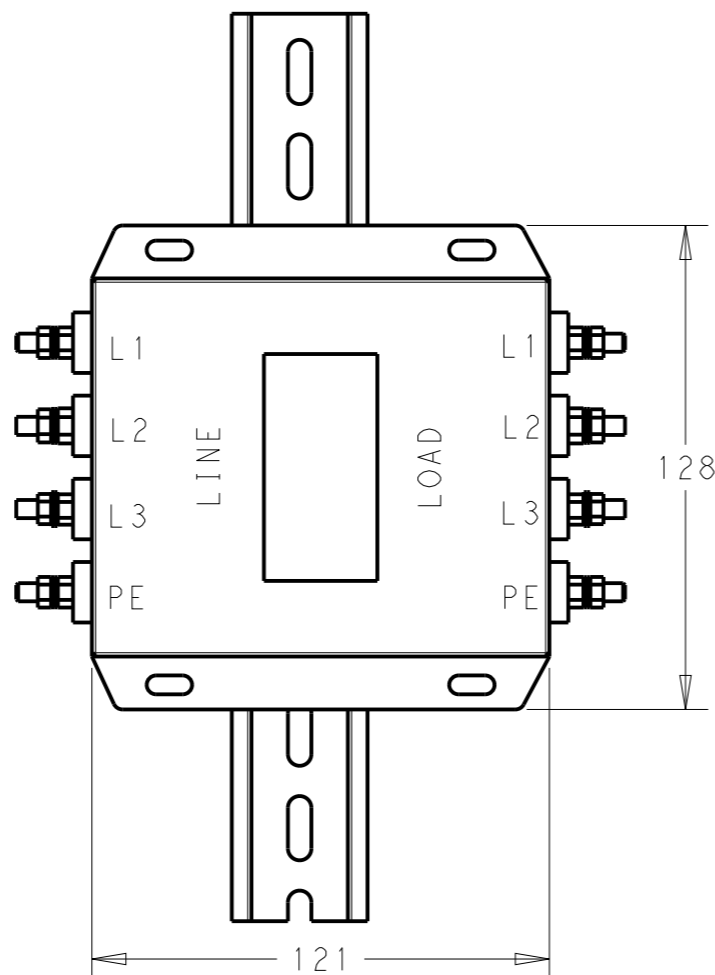
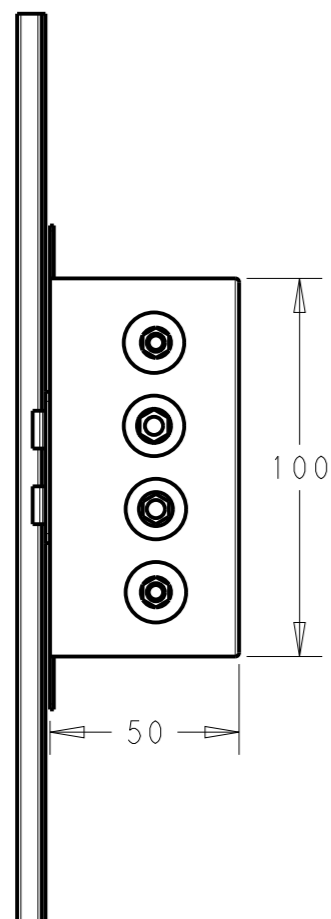
NOTE 1 GROUND CONNECTION:
DO NOT LOOSEN INNER GROUND NUTS.
TORQUE OUTER TERMINAL /GROUND NUTS: 2.5-3Nm

NOTE 4 DRAWING SHOWS DIN RAIL FOR
REFERENCE ONLY.

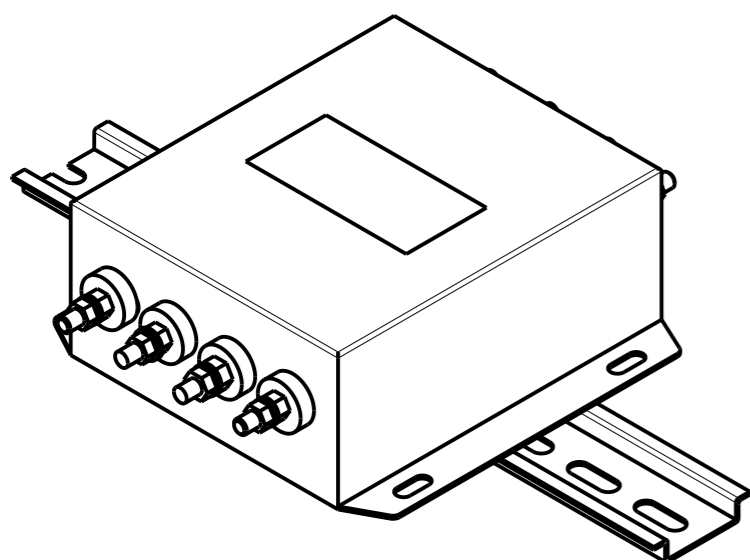
NOTE 2 INPUT OUTPUT CONNECTION TERMINAL
AWG SIZE: XXX
THREADED BOLT SIZE FOR TERMINAL: M6
THREADED BOLT SIZE FOR GROUND: M6

NOTE 3 SUPPLIED WITH DIN RAIL BRACKET

REVISIONS					
P	LTR	DESCRIPTION	DATE	DWN	APVD
		SEE SHEET 1			



DIN 35



THIS DRAWING IS A CONTROLLED DOCUMENT.		DWN SUPREETH R 30MAR2021		
		CHK CHRIS BOLLE 30MAR2021		
		APVD CHRIS BOLLE 30MAR2021	NAME POWER LINE FILTER FOR DIN 35 RAIL INSTALLATION 50KEBS6AFPDHM	
DIMENSIONS: mm		PRODUCT SPEC -	RESTRICTED TO -	
TOLERANCES UNLESS OTHERWISE SPECIFIED:		APPLICATION SPEC -	SIZE A300779	CAGE CODE C-3-1609965-9
MATERIAL -		WEIGHT -	SCALE 1:2	
FINISH -		SHEET 2 OF 2		REV A
		CUSTOMER DRAWING		