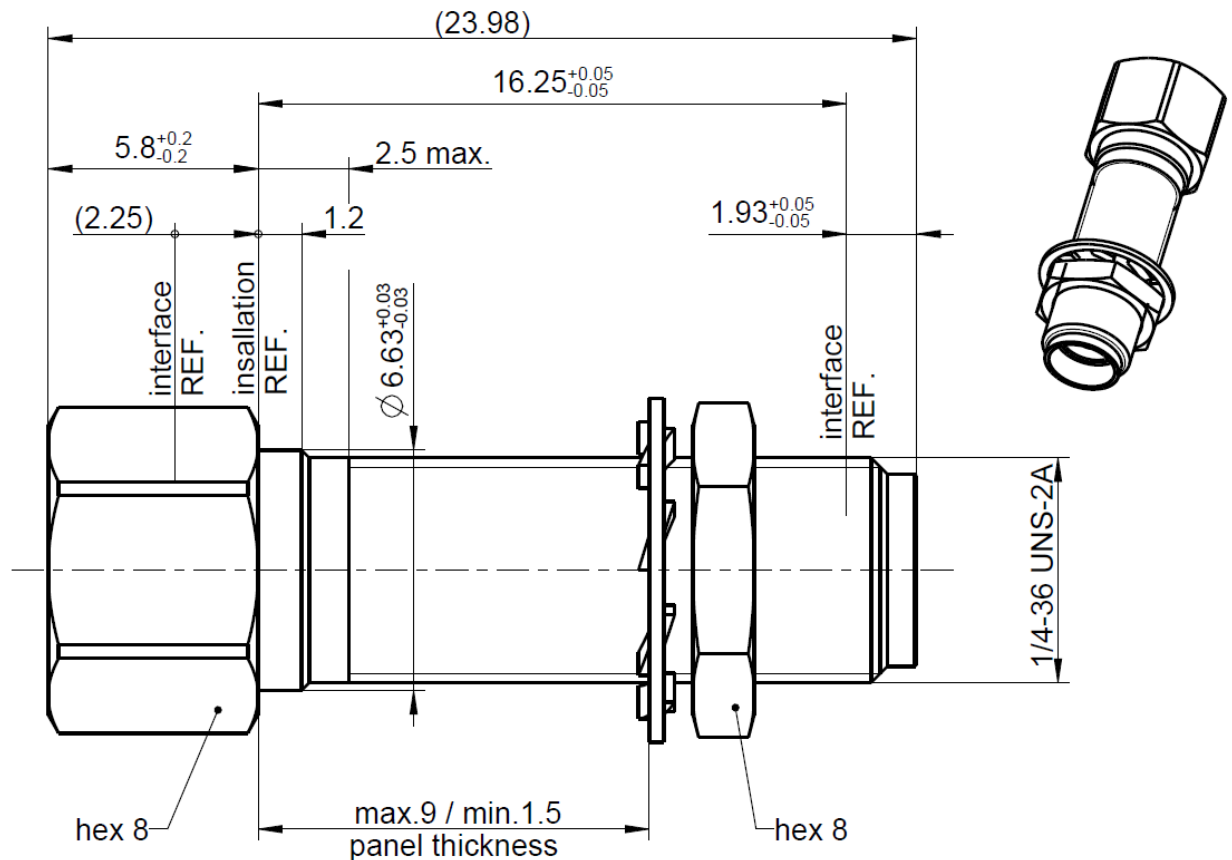


EBC

Adaptor  
EBC jack – SMA female

**EBCK632-K00N5**



All dimensions are in mm; tolerances acc. to ISO 2768 m-H

**Interface**

According to: EBC-side: Rosenberger EBC ®  
SMA side: IEC 60169-15; EN 122110; MIL-STD-348A, Fig. 310

**Documents**

Panel piercing B\_730M  
Application note EBC

**Material and plating**

**Connector parts**

Center contact EBC  
Center Contact SMA  
Outer contact EBC  
Outer Contact SMA  
Body EBC  
Body  
Dielectric

**Material**

CuBe or equiv.  
CuBe or equiv.  
Spring bronze  
Brass  
Brass  
Brass  
PTFE / LCP

**Plating**

AuroDur®, gold plated  
AuroDur®, gold plated  
White bronze(e.g. Optalloy®)  
White bronze(e.g. Optalloy®)  
Tin, 2-4 µm  
Flash white bronze over silver(e.g. Optargen®)

Dieses Dokument ist urheberrechtlich geschützt • This document is protected by copyright • Rosenberger Hochfrequenztechnik GmbH & Co. KG

RF\_35/09.14/6.2

# Technical Data Sheet

# Rosenberger

EBC

Adaptor  
EBC jack – SMA female

**EBCK632-K00N5**

## Electrical data

Impedance	50 Ω
Frequency	DC to 10 GHz
Return loss	≥ 26 dB @ DC to 6 GHz*
Insertion loss	≤ 0.05 x √f [GHz] dB
Insulation resistance	≥ 5 GΩ
Center contact resistance	≤ 10 mΩ
Outer contact resistance	≤ 5 mΩ
Test voltage (at sea level)	500 V rms
Working voltage (at sea level)	335 V rms
Power handling (sea level, VSWR 1.0)	100 W @ 2.2 GHz @ 25°C
Contact Current	≤ 2A DC
Screening attenuation – Interface only	≥ 50 dB up to 4 GHz ≥ 40 dB @ 4 GHz to 6 GHz
Crosstalk – Next / Fext	≤ -70 dB @ DC to 4 GHz – B2B distance 16,8mm ≤ -60 dB @ 4 GHz to 6 GHz – B2B distance 16,8mm
Intermodulation (3 <sup>rd</sup> order)	≥ 160 dBc (2 x 43 dBm)

- Connector only, VSWR in application depends decisive on PCB layout –

\* Dependent on axial misalignment

## Mechanical data

	EBC side	SMA side
Mating cycles	≥ 100 mated with limited detent ≥ 1000 mated with smooth bore	≥100
Center contact captivation	≥ 7 N	≥15 N
Disengagement force EBC side	Δ 3N - 5N (between Limited Detent and Smooth Bore)	
Working range	1.6 mm (± 0.8 mm)	
Radial misalignment	± 0.7 mm / max. 4°	

## Environmental data

Temperature range	-55 °C to +105 °C
Thermal shock	MIL-STD-202, Method 107, Condition B
Moisture resistance	MIL-STD-202, Method 106
Vibration	MIL-STD-202, Method 204, Condition B
Shock	MIL-STD-202, Method 213, Condition A
Max. soldering temperature	IEC 61760-1, +260°C for 10 sec.
RoHS	compliant

## Weight

Weight	4.5 g/pce
--------	-----------

While the information has been carefully compiled to the best of our knowledge, nothing is intended as representation or warranty on our part and no statement herein shall be construed as recommendation to infringe existing patents. In the effort to improve our products, we reserve the right to make changes judged to be necessary.

For the installation of the electrotechnical equipment, particular electrotechnical expertise is required.



Draft	Date	Approved	Date	Rev.	Engineering change number	Name	Date
C_Schmidinger	19.10.18	B.Aicher	21.04.22	a00	22-s100	Tobi Stadler	21.04.22

Rosenberger Hochfrequenztechnik GmbH & Co. KG  
P.O.Box 1260 D-84526 Tittmoning Germany  
[www.rosenberger.de](http://www.rosenberger.de)

Tel. : +49 8684 18-0  
Email : [info@rosenberger.de](mailto:info@rosenberger.de)

Page  
2 / 2