



Title : LC DUPLEX APC SM ADAPTOR ZR ALIGNEMENT SLEEVE

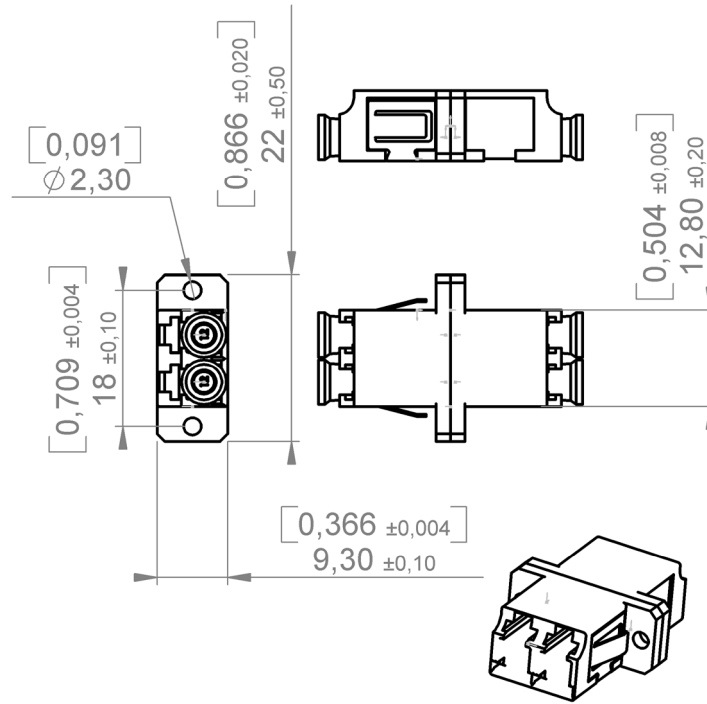
Packaging  
100

Series  
**F727**

Issue  
Nov. 14<sup>th</sup> 06

Page  
1/1

Dimensions : mm / (inches)



**GENERAL**

**TYPE** IEC 61754 - 20 (LC)  
Receptacle colour : Green

**MOUNTING** SC panel cut-out screw in (max. panel thickness 1.6mm)

**ALIGNEMENT SLEEVE** Zirconia

**CHARACTERISTICS (Depending on fibre or cable construction)**

**MATERIAL** Plastic moulded (body UL94 V0 rated)

**MECHANICAL** Durability : 200 cycles

**ENVIRONMENTAL** Storage temperature - 40°C / + 85°C  
Operating temperature - 25°C / + 70°C

<b>CREATION</b>				<b>RADIALL®</b>	
N°:				101, rue P. Hoffmann	
EPF : PEN				93116 ROSNY/BOIS	
F061200333				FRANCE	
Name : LV				Tel : (33) 0149353535	
Date : Nov 14 <sup>th</sup> 06				Fax : (33) 0148546363	
Appr : GM	Issue	Revisions	Name	Appr.	