

THIS DRAWING IS UNPUBLISHED
VERTRAULICHE UNVERÖFFENTLICHE ZEICHNUNG

RELEASE FOR PUBLIKATION
FREI FUER VEROEFFENTLICHUNG

MATED WITH:
PASSEND ZU:

LOC AI DIST -

REVISIONS
ÄNDERUNGEN

© COPYRIGHT 2000

BY AMP INCORPORATED

ALL RIGHTS RESERVED
ALLE RECHTE VORBEHALTEN

1104700

P LTR

DESCRIPTION
BESCHREIBUNG

DATE

DWN

APVD

PROJEKT NR.
EGGMN04419

B3

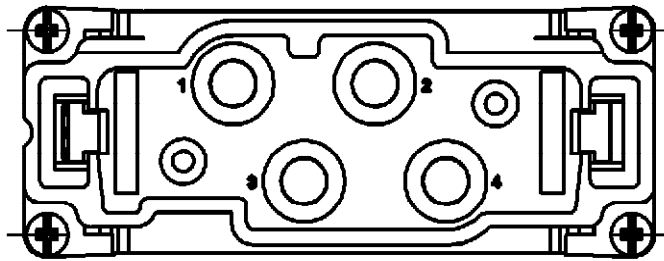
ECR-17-014051

05APR18

SG

MKO

CONTACT ARRANGEMENT
VIEW FROM CONECTING SIDE

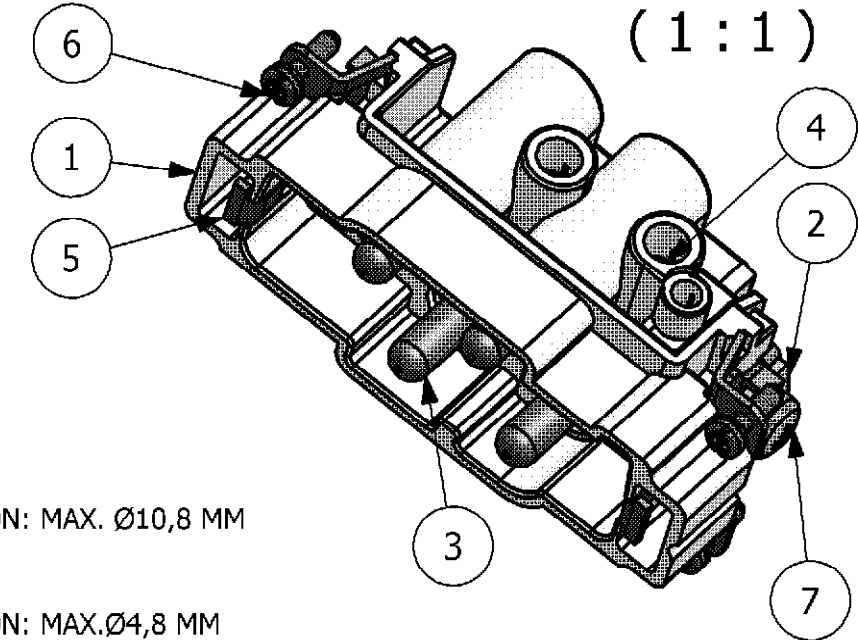


A (2:1)



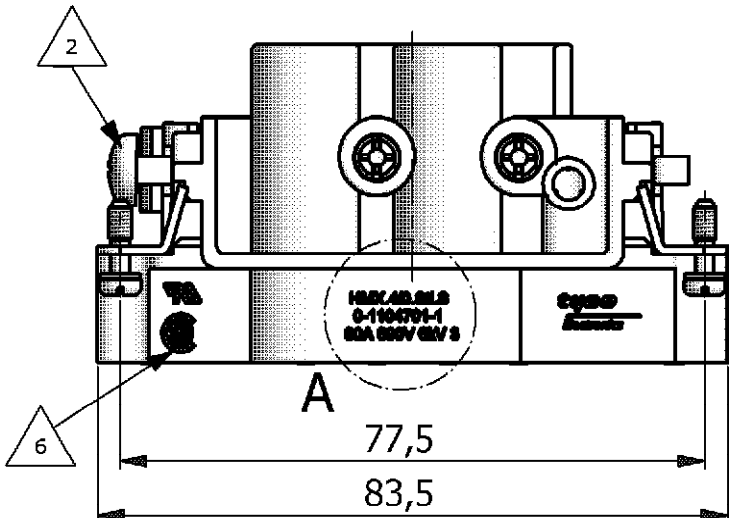
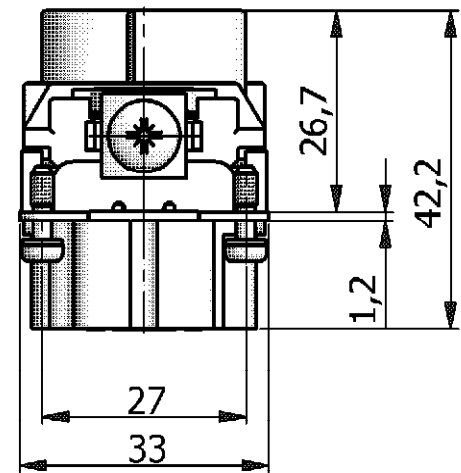
0-1 AS SHOWN—**SUPERSEDED BY T2100042101-000**
ORDERING TEXT: HMX.4/0.STI.S

(1:1)

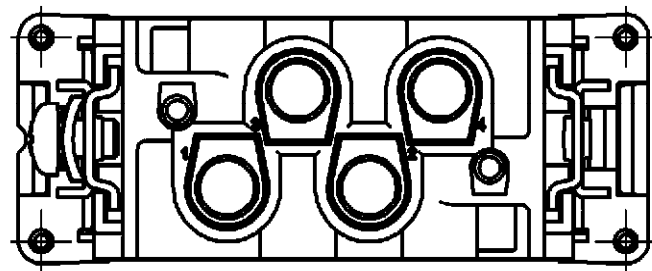


NOTES

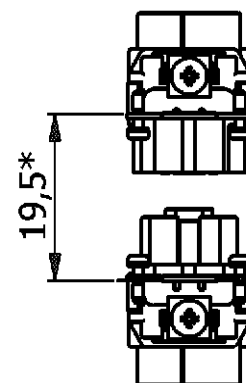
- 1 POWER CONTACT: 1 TO 4
OUTER DIMENSIONS OF INSULATION: MAX. Ø10,8 MM
- 2 SIGNAL CONTACT: 11 and 12
OUTER DIMENSIONS OF INSULATION: MAX.Ø4,8 MM
- 3 GROUNDING CONTACT:
- 4 SUITABLE HOOD SIZE 6: SERIES HB; HD; EMV AND HIP
- 5 STANDARDS:
DIN EN 61984; DIN EN 60664-1
- 6 UL; CSA AUTHORISATION
- 7 PACKAGING:
5 PIECES IN A CARTON



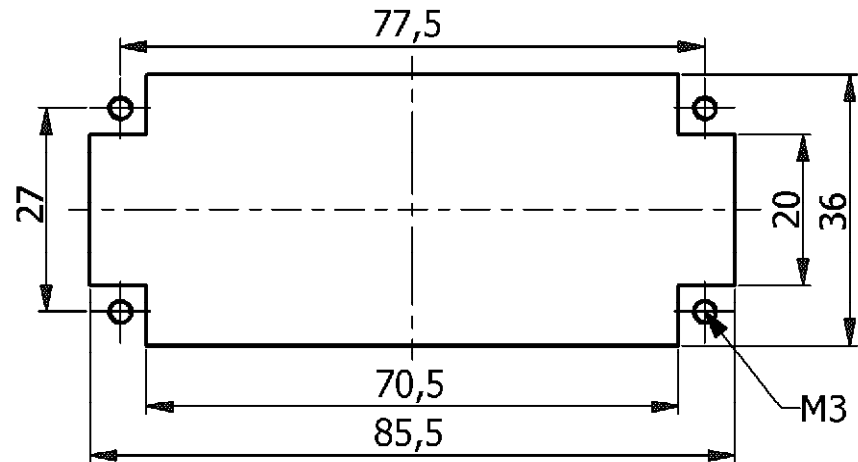
CONTACT ARRANGEMENT
VIEW FROM TERMINATION SIDE



* DISTANCE FOR GUARANTEED CONTACT MAX. 21 mm



PANET CUT-OUT CONTACT INSERT
WHEN USED WITHOUT HOUSING



| QTY. | DESCRIPTION | MATERIAL | SURFACE | COLOR | NOTE | ITEM |
|------|-----------------------|----------|---------------|------------|----------------------|------|
| 1 | SCREW | STEEL | NICKEL PLATED | BLUE | DIN EN ISO 1207-M5X8 | 7 |
| 4 | FIXING SCREW | STEEL | NICKEL PLATED | BLUE | M3X10,5 | 6 |
| 2 | PIN GROUNDING CONTACT | BRASS | NICKEL PLATED | BLUE | - | 5 |
| 4 | THREAD PIN | STEEL | NICKEL PLATED | BLUE | - | 4 |
| 4 | PIN CONTACT | BRASS | SILVER PLATED | BLUE | - | 3 |
| 1 | CLAMP TAB | STEEL | NICKEL PLATED | BLUE | --- | 2 |
| 1 | MALE INSERT | PBT-GF30 | - | LIGHT GREY | - | 1 |

PARTS LIST

| | | | | | | | |
|--|--|---|---------------|---------------------------|------------------------------|------------------------------|---------------|
| <p>THIS DRAWING IS A CONTROLLED DOCUMENT FOR AMP INCORPORATED. IT IS SUBJECT TO CHANGE AND THE CONTROLLING ENGINEERING ORGANIZATION SHOULD BE CONTACTED FOR THE LATEST REVISION. DIESSES ZEICHNUNGSDOKUMENT WIRD DURCH AMP INCORPORATED KONTROLLIERT. ÄNDERUNGEN, DIE DEN TECHNISCHEN FORTSCHRITT DIENEN, SIND VORBEHALTEN. DEN JEWELLS LETZTGÜLTIGEN ÄNDERUNGSSTAND ERFAHREN SIE AUF ANFRAGE.</p> | | DWN | SCHNEIDER | 12.07.2005 | | | |
| <p>DIMENSIONS: DIMENSIONEN: mm</p> | | CHK | T. SCHNURPFEL | 12.07.2005 | | | |
| <p>TOLERANCES UNLESS OTHERWISE SPECIFIED: ALLGEMEINTOLERANZEN</p> <p>n. ISO 8015 - # n. ISO 2768 - m-H-E # n. DIN 16901- 140</p> | | APVD | | | NAME | MALE INSERT HMX.4/0.STI.S | |
| <p>0 PLC # 1 PLC # 2 PLC # 3 PLC # ANGLES / WINKEL #</p> | | PRODUCT SPEC. PRODUKTSPEZ. | 108-74058 | | SIZE | A3 | |
| <p>MATERIAL</p> | | APPLICATION SPEC. VERARBEITUNGSSPEZ. | 114-74058 | | CAGE CODE | 00779 | |
| <p>FINISH / OBERFLAECHE / FARBE</p> | | WEIGHT GEWICHT | 0,118 KG | | DRAWING NO ZEICHNUNGS-NR. | 1104701 | |
| | | CUSTOMER DRAWING / KUNDENZEICHNUNG | | SCALE MASSSTAB | 1:1 | SHEET BLATT | 1 OF VON 1 |
| | | | | RESTRICTED TO NUR FUER | | REV. B3 | |

V:\a02\p02\kda\Prod_Eng\30-66\hmk\Erzfabr\hmx_4_2011\1104701.dwg