

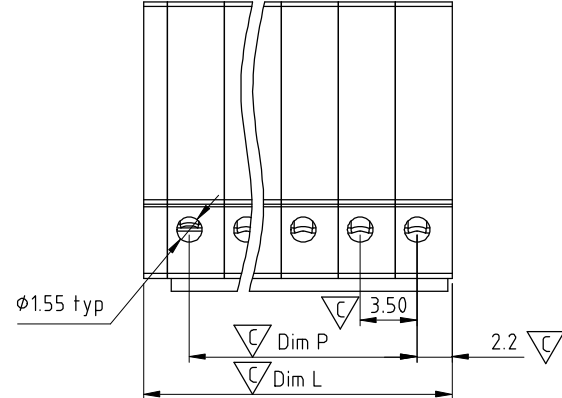
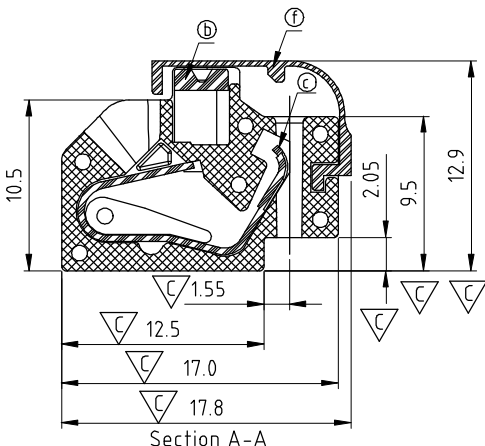
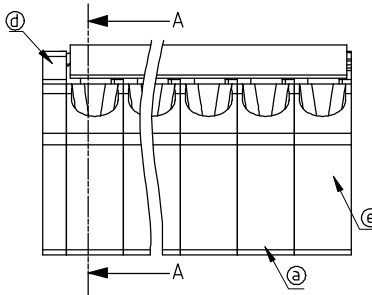
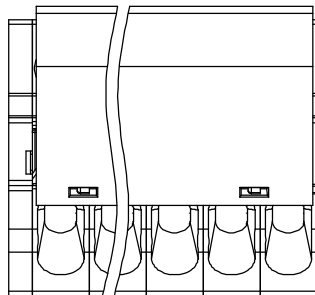
SIGN	DATE	DESCRIPTION	APPROVER
△			
△			

THIS IS CAD DRAWING, DO NOT REVISE MANUALLY!!!

Material

- Item ① Insulating body: Thermoplastic (UL94V-0)
- Item ② Insulating lever: Thermoplastic (UL94V-0) Orange RAL 2011/P
- Item ③ Spring clamp: Stainless steel Matte Tin plated.
- Item ④ Insulating cover : Thermoplastic (UL94V-0)
- Item ⑤ Terminal side body: Thermoplastic (UL94V-0)
- Item ⑥ Terminal Cover : Thermoplastic (UL94V-2)

- Electrical: cULus
- Voltage rating: 150V
 - Current rating: 2A
 - Solid wire(AWG): 16-22
 - Stranded wire(AWG): 16-22
 - Wire strip length: 9.0-10.0mm
 - Withstanding Voltage: 1.3KV
 - Operating temperature: -40°C to +115°C
 - Safety Approval:
 - Critical dimension: ∇C



N = Number of poles
 Dim L=(Nx3.5)+1.5
 Dim P=(N-1)x3.5

POLES	Dim L	Dim P
2p-6p	±0.15	±0.15
7p-12p	±0.2	±0.2
13p-18p	±0.3	±0.3
19p-24p	±0.4	±0.4

NY xx 10 x 1 xxxx G

- No. OF POLES: 02: 2 POLES, 03: 3 POLES, ..., 24: 24 POLES
- Body Color: 0 Black (RAL9005), 2 Red (RAL3001/D), 3 Orange (RAL2011/P), 4 Yellow (RAL1018/A), 5 Green (RAL6018/T), 6 Blue (RAL5015/A), 8 Grey (RAL7004/P), 9 White (RAL1102), C Multiple colors
- 0000 Standard @ Logo, 000A Standard ANY Logo, Any special item by customer request, please contact sales department.
- RoHs compliant (lead<4%) in copper Alloy

ANYTEK				CUSTOMER COPY			
ALL RIGHTS RESERVED. REPRODUCTION OR ISSUE TO THIRD PARTIES IN ANY FORM WHATSOEVER IS NOT PERMITTED WITHOUT WRITTEN AUTHORITY FROM THE PROPRIETOR. PROPERTY OF ANYTEK TECHNOLOGY CO., LTD							
TITLE		NY-3.5mm Series (with cover)					
PART NO.		NYxx10x1xxxxG			DWG NO.		8NY0001
APPROVED		CHECKED	DESIGNED	DRAWN	CUST NO.		Tolerance
			Guoxue 2014.08.06	Guoxue 2014.08.06			X. ±0.50 X.X ±0.30 X.XX ±0.10 X° ±1°
				SHEET: 01/01		UNIT: mm	
						SCALE: NONE	
						REV.: B	