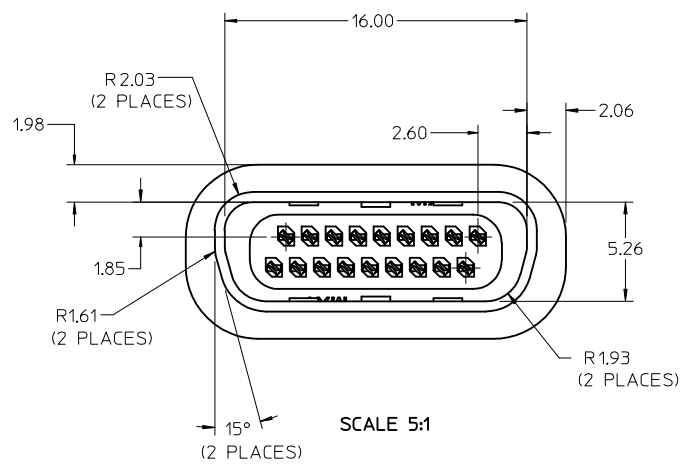
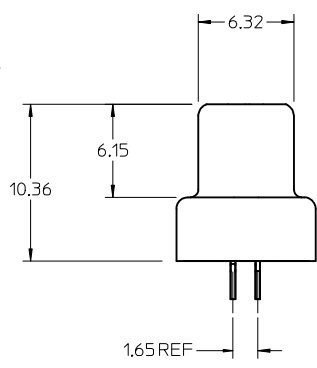
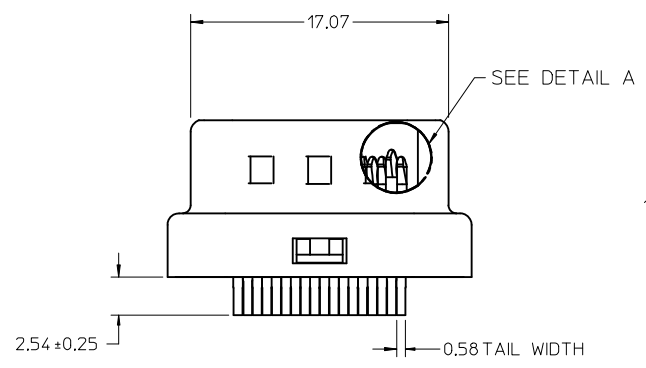


DETAIL A
SCALE 20:1

NOTES:

- MATERIALS:**
 SHIELD: DEEP DRAWN STEEL.
 HOUSING: GLASS FILLED POLYMER, COLOR: BLACK, UL 94V-0.
 STICK: COPPER ALLOY, OVERMOLDED WITH GLASS FILLED POLYMER, COLOR: BLACK, UL 94V-0.
- PLATING:**
 SHIELD: 2.54 MICROMETERS MINIMUM BRIGHT TIN (Sn)
 OVER 1.27 MICROMETERS MINIMUM NICKEL (Ni)
 OVER COPPER (Cu) UNDERPLATE OVERALL.
 TAIL (TIN): SELECTIVE GOLD (Au) IN CONTACT AREA; THICKNESS
 0.38 MICROMETERS MINIMUM;
 SELECTIVE TIN (Sn) IN TAIL AREA; THICKNESS
 2.54 MICROMETERS MINIMUM OVER
 NICKEL (Ni) UNDERPLATE OVERALL.
 TAIL (NICKEL): SELECTIVE GOLD (Au) IN CONTACT AREA; THICKNESS
 0.38 MICROMETERS MINIMUM WITH NICKEL (Ni) UNDERPLATE,
 SELECTIVE NICKEL (Ni) IN TAIL AREA; THICKNESS
 1.27 MICROMETERS MINIMUM.
- PLUG ASSEMBLIES ARE PACKAGED IN TUBES. SEE PACKAGING SPECIFICATION PK-75000-991.
- CIRCUITS B1 AND A9 ARE FIRST MATE LAST BREAK.



SCALE 5:1

MATERIAL NUMBER	TAIL PLATING
74155-0001	TIN
74155-0002	NICKEL

INITIAL RELEASE EC NO: UCP2006-1957 DRAWN BY: DMORGAN 2006/02/28 CHKD: BBARKER 2006/03/06 APPR: SMILLER 2006/03/06	QUALITY SYMBOLS ▽=0 ▽=0	GENERAL TOLERANCES (UNLESS SPECIFIED)		DIMENSION STYLE MM ONLY	SCALE 4:1	DESIGN UNITS INCH	THIRD ANGLE PROJECTION	
		4 PLACES ± --- ± ---	DRAWN BY DMORGAN	DATE 05/01/21	TITLE SALES DRAWING 1X PCIE 18 CIRCUIT PLUG CONNECTOR			
		3 PLACES ± --- ± ---	CHECKED BY BBARKER	DATE 05/01/21	MOLEX INCORPORATED			
		2 PLACES ± 0.13 ± ---	APPROVED BY SMILLER	DATE 05/01/21	MATERIAL NO. SEE CHART	DOCUMENT NO. SD-74155-001	SHEET NO. 1 OF 1	
DRAFT WHERE APPLICABLE MUST REMAIN WITHIN DIMENSIONS		ANGULAR ± 1/2°		THIS DRAWING CONTAINS INFORMATION THAT IS PROPRIETARY TO MOLEX INCORPORATED AND SHOULD NOT BE USED WITHOUT WRITTEN PERMISSION				