

DUST CAP

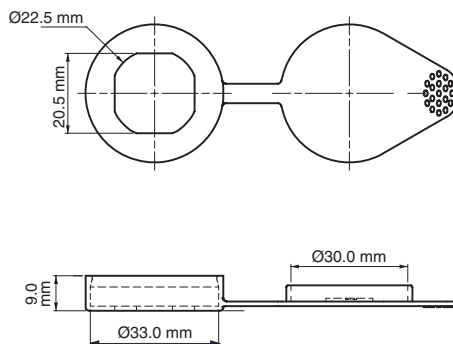
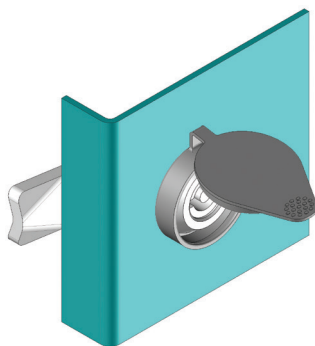


Specifications

- Material: Polyurethane

Features

- Recommended when dust and humidity protection required
- Can be ordered separately



Item Number

060A7

LOCK HANDLE

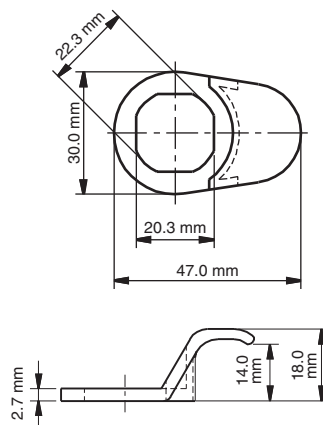
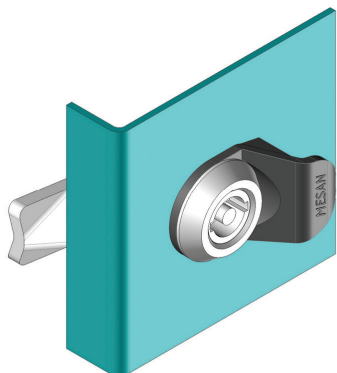


Specifications

- Material: PA GFR 30

Features

- Allows lock to be fitted to thick doors
- Easy installation for isolated doors



Item Number

060A2