

THIS DRAWING IS UNPUBLISHED.

RELEASED FOR PUBLICATION

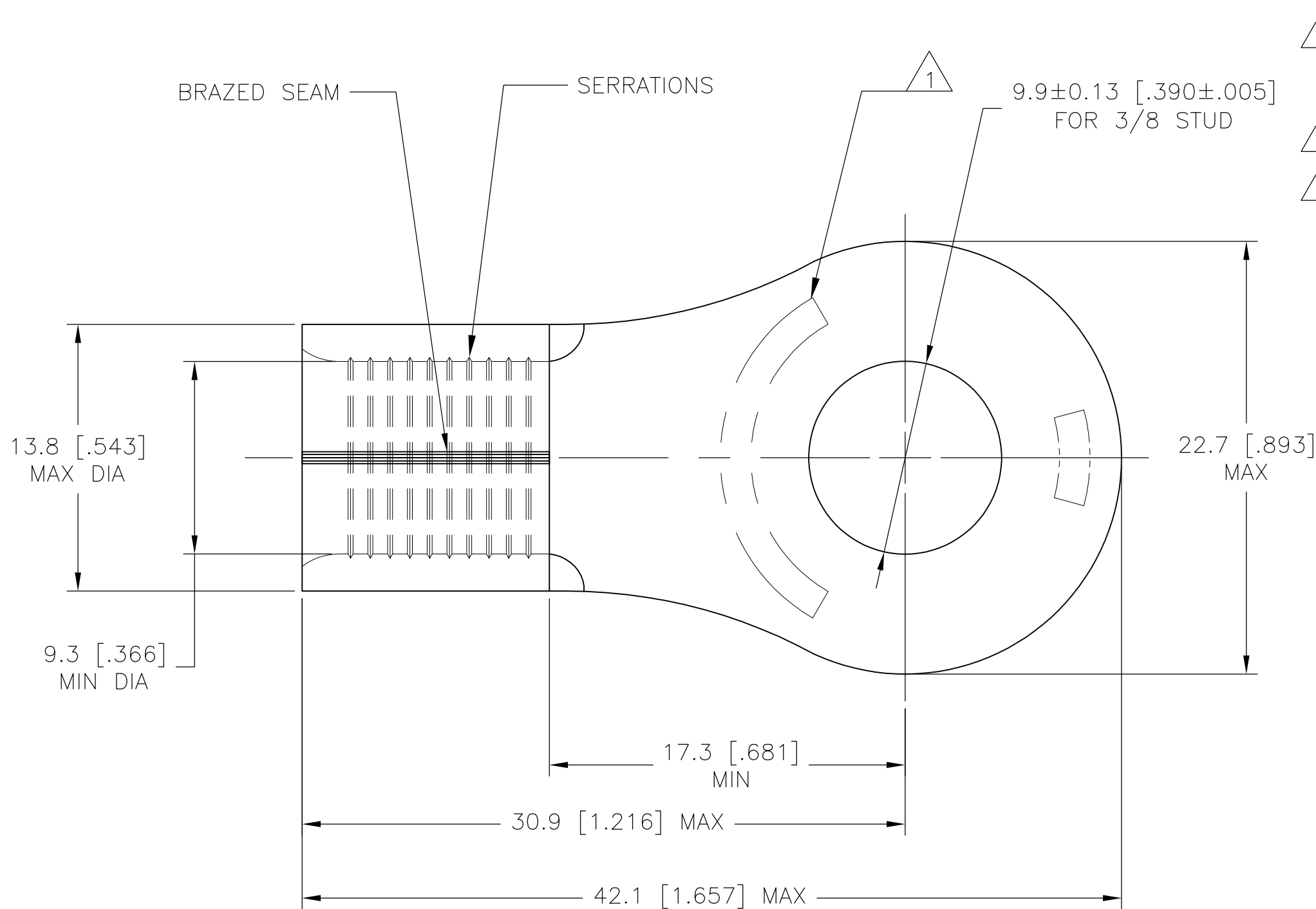
© COPYRIGHT - By -

ALL RIGHTS RESERVED.

LOC G DIST 86

REVISIONS

P	LTR	DESCRIPTION	DATE	DWN	APVD
	A2	REVISED PER ECO-14-006484	03MAY2014	NK	DR



- △ 1 STAMP "AMP 2W* 60-75" LOCATED APPROX AS SHOWN ON BOTTOM.
- △ 2 COPPER PER ASTM B-152
- △ 3 NICKEL PLATE PER QQ-N-290
- 4 MATERIAL THICKNESS 1.78±0.08[.070±.003]

131297-1

PART NO

THIS DRAWING IS A CONTROLLED DOCUMENT.		DWN jr_ruth 25FEB10	STE TE Connectivity		
DIMENSIONS: mm [INCHES]		CHK T MICHELUTTI 25FEB10			
TOLERANCES UNLESS OTHERWISE SPECIFIED:		APVD T MICHELUTTI 25FEB10	NAME		
0 PLC ± -		PRODUCT SPEC	WIRE TERMINAL, RING TONGUE, SOLISTRAND, WIRE SIZE: #2 AWG		
1 PLC ± -		APPLICATION SPEC	RESTRICTED TO		
2 PLC ± 0.2 [.008]		WEIGHT -	SIZE A3	CAGE CODE 00779	DRAWING NO C-131297
3 PLC ± -		CUSTOMER DRAWING	SCALE 4:1	SHEET 1 OF 1	REV A2
4 PLC ± -					
ANGLES ± 5°					
MATERIAL △ 2	FINISH △ 3				