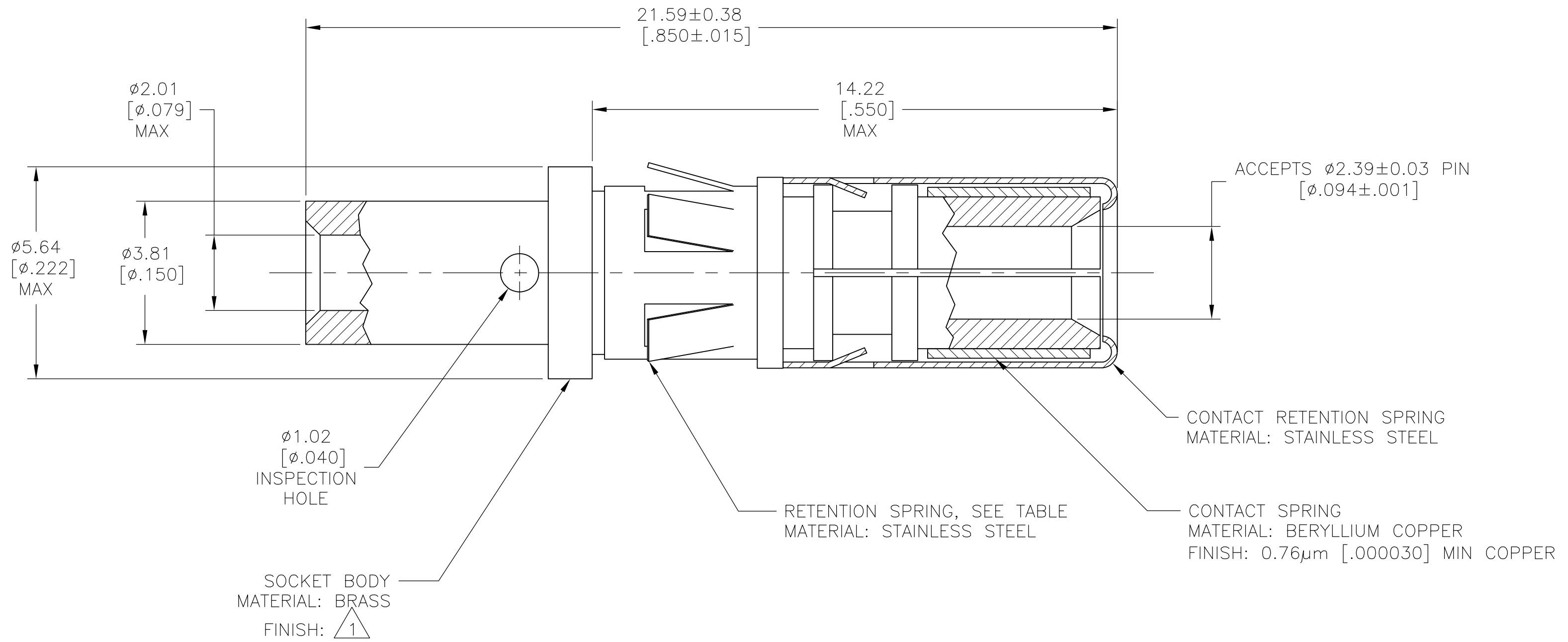


THIS DRAWING IS UNPUBLISHED. RELEASED FOR PUBLICATION  
 © COPYRIGHT - By - ALL RIGHTS RESERVED.

REVISIONS				
P	LTR	DESCRIPTION	DATE	APVD
H1		REVISED PER ECO-16-004223	20JUL2016	NK MZ



1 0.76 μm [0.000030] MIN GOLD OVER 1.27 μm [0.000050] MIN NICKEL.

2 ASSEMBLY MATES WITH PIN ASSEMBLY 202421.

OBSOLETE	NO	<del>202418-3</del>
	YES	202418-1
	RETENTION SPRING	PART NUMBER

THIS DRAWING IS A CONTROLLED DOCUMENT.		DWN B.CARBO 30 DEC 97	TE Connectivity																			
DIMENSIONS: mm [INCHES]		CHK R.STONE 09 JAN 98																				
TOLERANCES UNLESS OTHERWISE SPECIFIED:		APVD G.STEINHAUER 30 JAN 98	NAME CONTACT ASSEMBLY, SOCKET, WIRE SIZE #16-#18, TYPE I																			
<table border="1"> <tr><td>0 PLC</td><td>±</td><td>-</td></tr> <tr><td>1 PLC</td><td>±</td><td>-</td></tr> <tr><td>2 PLC</td><td>±</td><td>0.13 [0.005]</td></tr> <tr><td>3 PLC</td><td>±</td><td>-</td></tr> <tr><td>4 PLC</td><td>±</td><td>-</td></tr> <tr><td>ANGLES</td><td>±</td><td>-</td></tr> </table>		0 PLC	±	-	1 PLC	±	-	2 PLC	±	0.13 [0.005]	3 PLC	±	-	4 PLC	±	-	ANGLES	±	-	PRODUCT SPEC -	SIZE A2	CAGE CODE 00779
0 PLC	±	-																				
1 PLC	±	-																				
2 PLC	±	0.13 [0.005]																				
3 PLC	±	-																				
4 PLC	±	-																				
ANGLES	±	-																				
MATERIAL SEE CALLOUTS		FINISH SEE CALLOUTS	WEIGHT -	DRAWING NO C=202418																		
CUSTOMER DRAWING			SCALE 10:1	SHEET 1 OF 1																		
			REV H1	RESTRICTED TO -																		